

BECKHOFF New Automation Technology

Manual | EN

TF6250

TwinCAT 3 | Modbus TCP

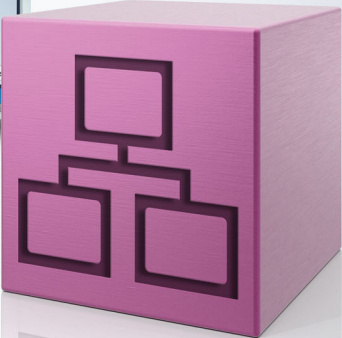
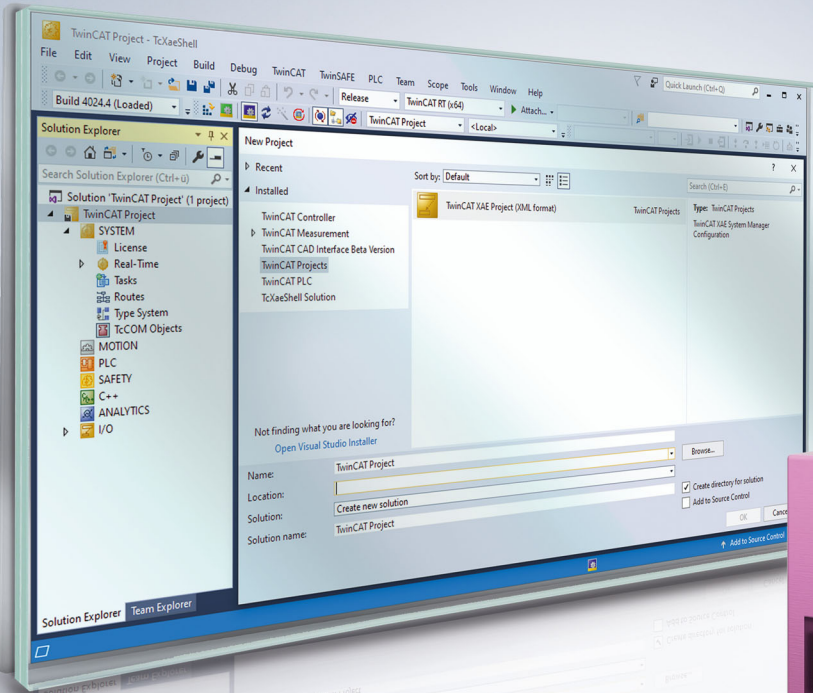


Table of contents

| | |
|---|-----------|
| 1 Foreword | 5 |
| 1.1 Notes on the documentation | 5 |
| 1.2 For your safety | 6 |
| 1.3 Notes on information security..... | 7 |
| 2 Overview | 8 |
| 3 Installation | 9 |
| 3.1 System Requirements | 9 |
| 3.2 Installation | 9 |
| 3.3 Installation Windows CE | 12 |
| 3.4 Installing the TwinCAT/BSD | 13 |
| 3.5 Licensing | 14 |
| 4 Configuration | 17 |
| 4.1 Overview | 17 |
| 4.2 TwinCAT Modbus TCP Configurator..... | 17 |
| 4.3 Default Configuration | 19 |
| 5 Diagnosis | 20 |
| 5.1 Modbus ADS Diagnosis Interface | 20 |
| 6 PLC libraries | 21 |
| 6.1 Overview | 21 |
| 6.2 Function blocks | 21 |
| 6.2.1 FB_MBReadCoils (Modbus function 1)..... | 21 |
| 6.2.2 FB_MBReadInputs (Modbus function 2)..... | 23 |
| 6.2.3 FB_MBReadRegs (Modbus function 3) | 25 |
| 6.2.4 FB_MBReadInputRegs (Modbus function 4) | 27 |
| 6.2.5 FB_MBWriteSingleCoil (Modbus function 5)..... | 29 |
| 6.2.6 FB_MBWriteSingleReg (Modbus function 6) | 31 |
| 6.2.7 FB_MBWriteCoils (Modbus function 15)..... | 32 |
| 6.2.8 FB_MBWriteRegs (Modbus function 16)..... | 34 |
| 6.2.9 FB_MBReadWriteRegs (Modbus-Funktion 23)..... | 36 |
| 6.2.10 FB_MBDiagnose (Modbus function 8) | 38 |
| 6.2.11 UDP..... | 40 |
| 6.3 Global constants | 52 |
| 6.3.1 Library Version | 52 |
| 7 Samples | 53 |
| 7.1 Sample: Digital IO access | 53 |
| 7.2 Sample: Multiple register access | 53 |
| 8 Appendix | 55 |
| 8.1 Overview | 55 |
| 8.2 ADS Return Codes..... | 55 |
| 8.3 Win32 Error Codes..... | 59 |

1 Foreword

1.1 Notes on the documentation

This description is only intended for the use of trained specialists in control and automation engineering who are familiar with applicable national standards.

It is essential that the documentation and the following notes and explanations are followed when installing and commissioning the components.

It is the duty of the technical personnel to use the documentation published at the respective time of each installation and commissioning.

The responsible staff must ensure that the application or use of the products described satisfy all the requirements for safety, including all the relevant laws, regulations, guidelines and standards.

Disclaimer

The documentation has been prepared with care. The products described are, however, constantly under development.

We reserve the right to revise and change the documentation at any time and without prior announcement. No claims for the modification of products that have already been supplied may be made on the basis of the data, diagrams and descriptions in this documentation.

Trademarks

Beckhoff®, TwinCAT®, TwinCAT/BSD®, TC/BSD®, EtherCAT®, EtherCAT G®, EtherCAT G10®, EtherCAT P®, Safety over EtherCAT®, TwinSAFE®, XFC®, XTS® and XPlanar® are registered trademarks of and licensed by Beckhoff Automation GmbH.

Other designations used in this publication may be trademarks whose use by third parties for their own purposes could violate the rights of the owners.

Patent Pending

The EtherCAT Technology is covered, including but not limited to the following patent applications and patents:

EP1590927, EP1789857, EP1456722, EP2137893, DE102015105702

with corresponding applications or registrations in various other countries.



EtherCAT® is a registered trademark and patented technology, licensed by Beckhoff Automation GmbH, Germany

Copyright

© Beckhoff Automation GmbH & Co. KG, Germany.

The reproduction, distribution and utilization of this document as well as the communication of its contents to others without express authorization are prohibited.

Offenders will be held liable for the payment of damages. All rights reserved in the event of the grant of a patent, utility model or design.

1.2 For your safety

Safety regulations

Read the following explanations for your safety.

Always observe and follow product-specific safety instructions, which you may find at the appropriate places in this document.

Exclusion of liability

All the components are supplied in particular hardware and software configurations which are appropriate for the application. Modifications to hardware or software configurations other than those described in the documentation are not permitted, and nullify the liability of Beckhoff Automation GmbH & Co. KG.

Personnel qualification

This description is only intended for trained specialists in control, automation, and drive technology who are familiar with the applicable national standards.

Signal words

The signal words used in the documentation are classified below. In order to prevent injury and damage to persons and property, read and follow the safety and warning notices.

Personal injury warnings

⚠ DANGER

Hazard with high risk of death or serious injury.

⚠ WARNING

Hazard with medium risk of death or serious injury.

⚠ CAUTION

There is a low-risk hazard that could result in medium or minor injury.

Warning of damage to property or environment

NOTICE

The environment, equipment, or data may be damaged.

Information on handling the product



This information includes, for example: recommendations for action, assistance or further information on the product.

1.3 Notes on information security

The products of Beckhoff Automation GmbH & Co. KG (Beckhoff), insofar as they can be accessed online, are equipped with security functions that support the secure operation of plants, systems, machines and networks. Despite the security functions, the creation, implementation and constant updating of a holistic security concept for the operation are necessary to protect the respective plant, system, machine and networks against cyber threats. The products sold by Beckhoff are only part of the overall security concept. The customer is responsible for preventing unauthorized access by third parties to its equipment, systems, machines and networks. The latter should be connected to the corporate network or the Internet only if appropriate protective measures have been set up.

In addition, the recommendations from Beckhoff regarding appropriate protective measures should be observed. Further information regarding information security and industrial security can be found in our <https://www.beckhoff.com/secguide>.

Beckhoff products and solutions undergo continuous further development. This also applies to security functions. In light of this continuous further development, Beckhoff expressly recommends that the products are kept up to date at all times and that updates are installed for the products once they have been made available. Using outdated or unsupported product versions can increase the risk of cyber threats.

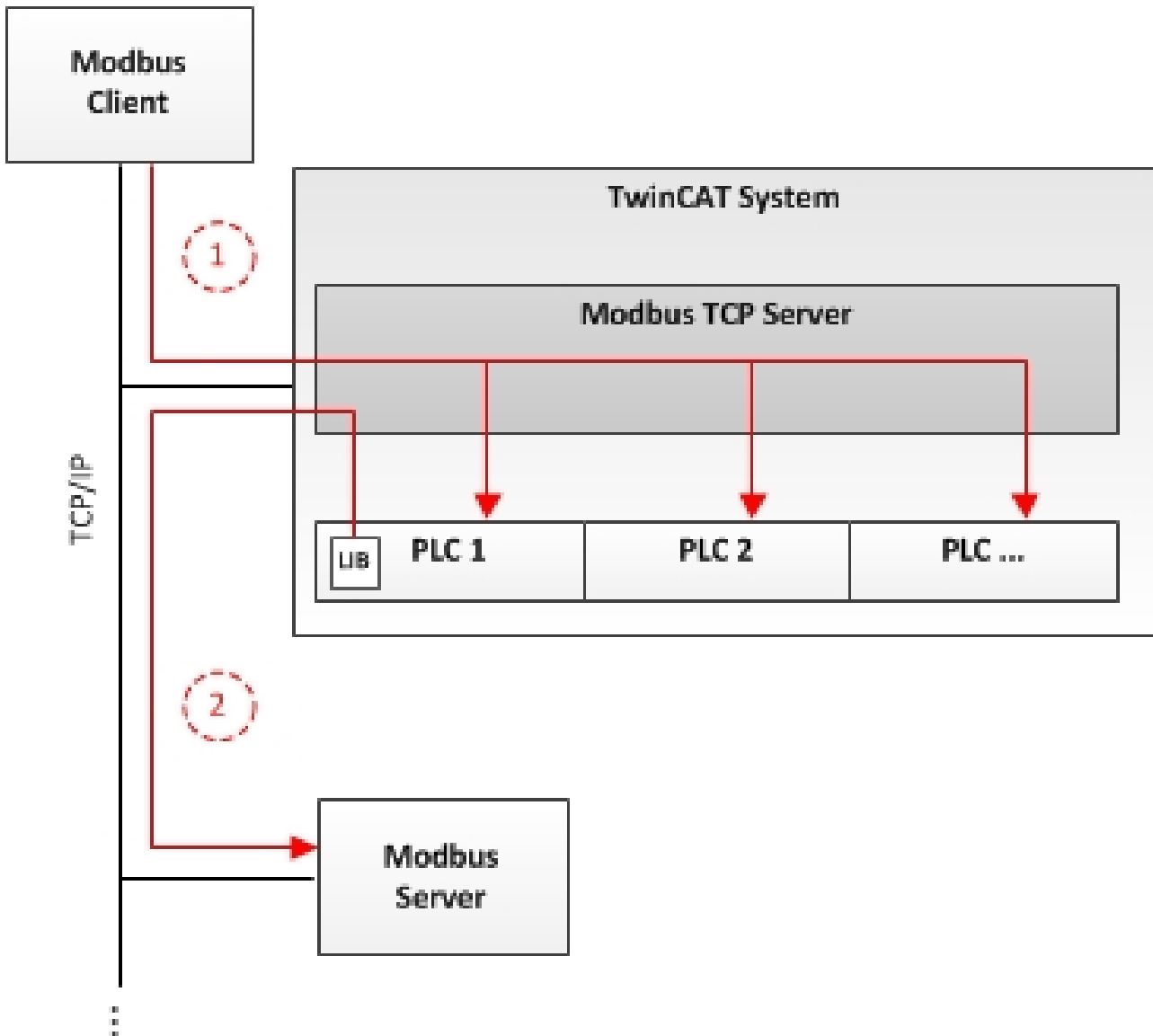
To stay informed about information security for Beckhoff products, subscribe to the RSS feed at <https://www.beckhoff.com/secinfo>.

2 Overview

The TwinCAT Modbus TCP server enables to communicate over a network connection (TCP/IP) with the Modbus protocol.

Modbus is an open standard in industrial communication which will be maintained by the independent Modbus Organization.

The protocol is based on a client/server-architecture. Therefore the product can be used as client or as server:



Server functionality [[▶ 17](#)]:

(1) The TwinCAT Modbus TCP server enables to access the TwinCAT PLC. The Modbus register and I/O's are then mapped to TwinCAT PLC areas.

Client functionality [[▶ 21](#)]:

(2) The supplied PLC-library allows to communicate with other Modbus devices to request data (e.g. measured values, states) and control them.

3 Installation

3.1 System Requirements

| Technical Data | TF6250 TwinCAT 3 Modbus TCP Server |
|----------------------|---|
| Target System | Windows NT/2000/XP/Vista/7 PC (x86-compatible) |
| Min. TwinCAT-Version | 3.0.0 |
| Min. TwinCAT-Level | TC1200 TC3 PLC |

Requirements

| Development environment | Target system type | PLC libraries to be linked |
|-------------------------|---------------------|----------------------------|
| TwinCAT v3.0.0 | PC or CX (x86, ARM) | Tc2_ModbusSrv |

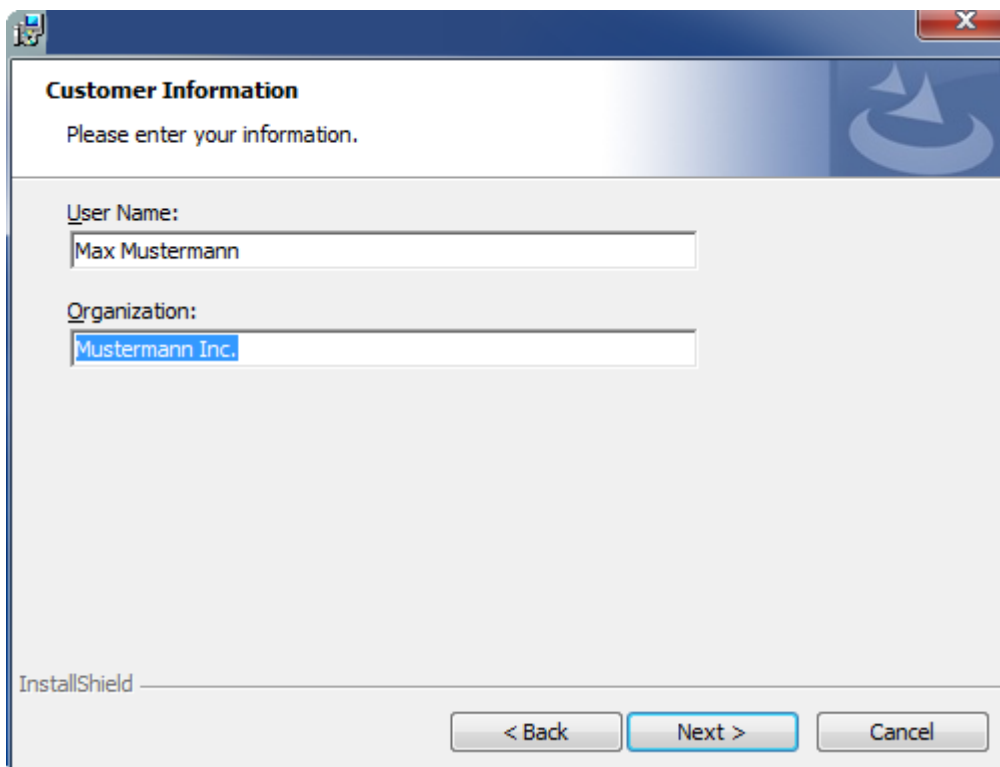
3.2 Installation

The following section describes how to install the TwinCAT 3 Function for Windows-based operating systems.

- ✓ The TwinCAT 3 Function setup file was downloaded from the Beckhoff website.
- 1. Run the setup file as administrator. To do this, select the command **Run as administrator** in the context menu of the file.
 - ⇒ The installation dialog opens.
- 2. Accept the end user licensing agreement and click **Next**.



3. Enter your user data.



Customer Information

Please enter your information.

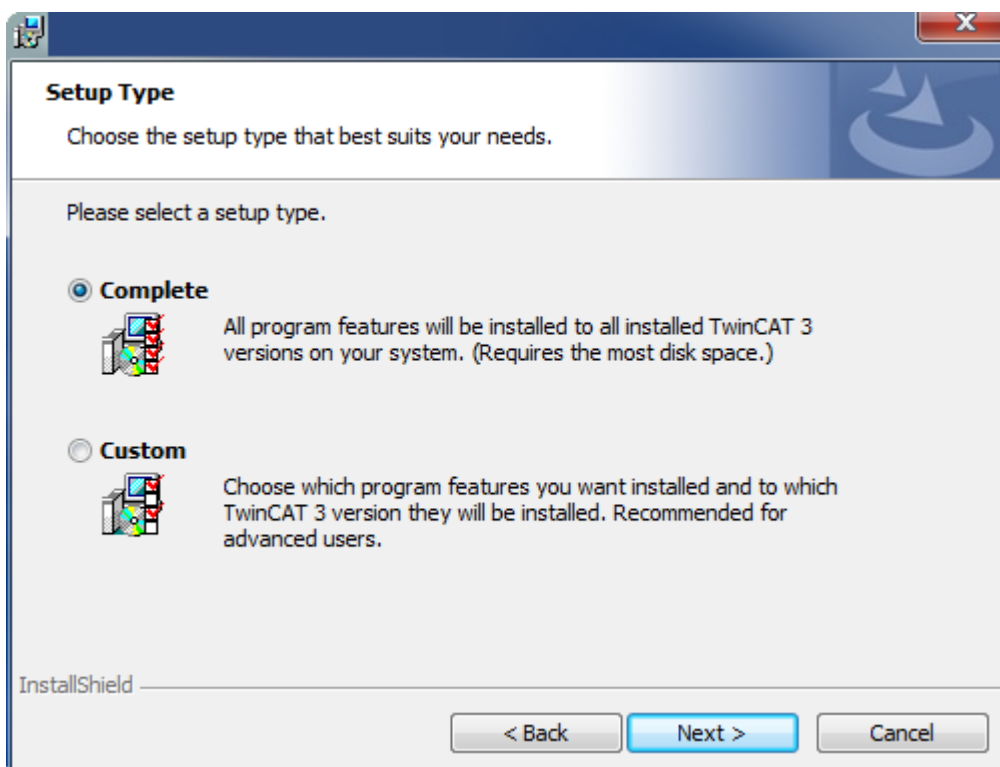
User Name:
Max Mustermann

Organization:
Mustermann Inc.

InstallShield

< Back Next > Cancel

4. If you want to install the full version of the TwinCAT 3 Function, select **Complete** as installation type. If you want to install the TwinCAT 3 Function components separately, select **Custom**.



Setup Type

Choose the setup type that best suits your needs.

Please select a setup type.

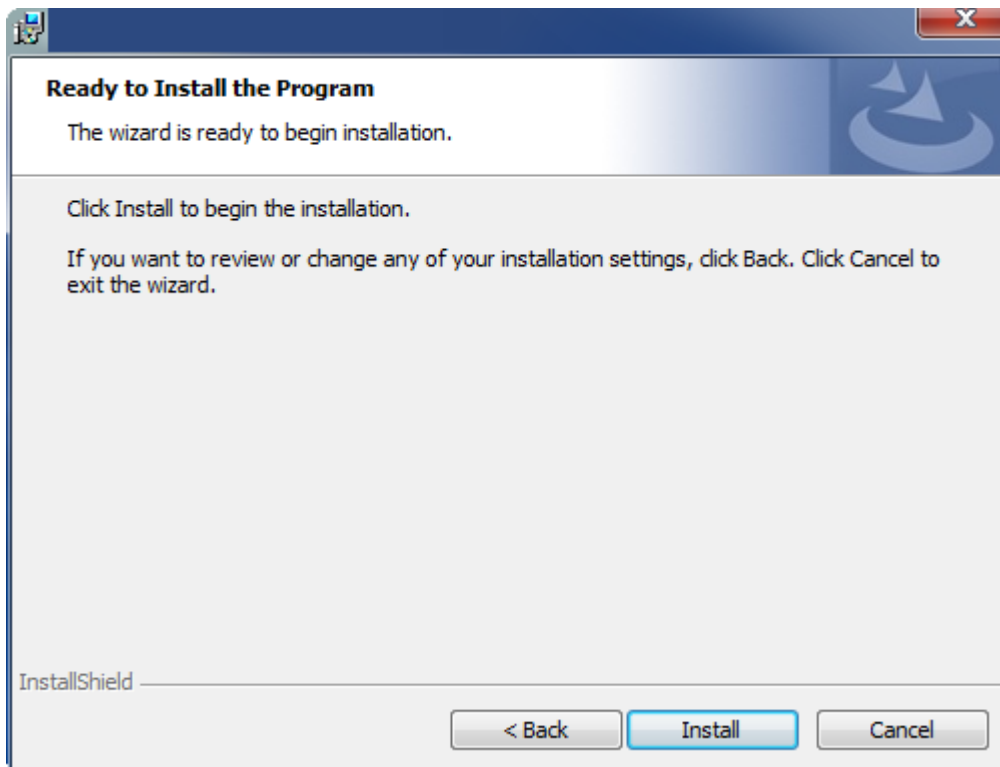
Complete
All program features will be installed to all installed TwinCAT 3 versions on your system. (Requires the most disk space.)

Custom
Choose which program features you want installed and to which TwinCAT 3 version they will be installed. Recommended for advanced users.

InstallShield

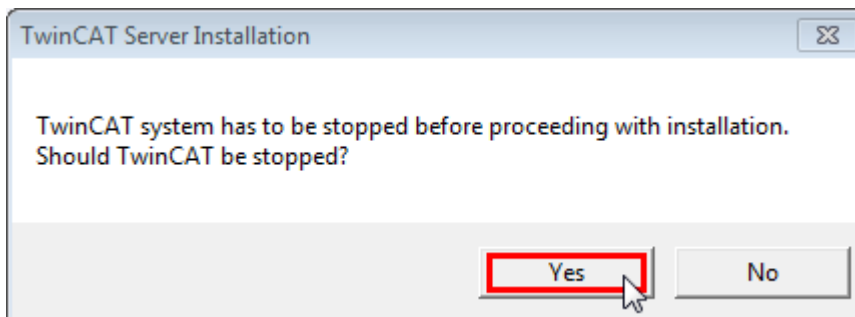
< Back Next > Cancel

5. Select **Next**, then **Install** to start the installation.

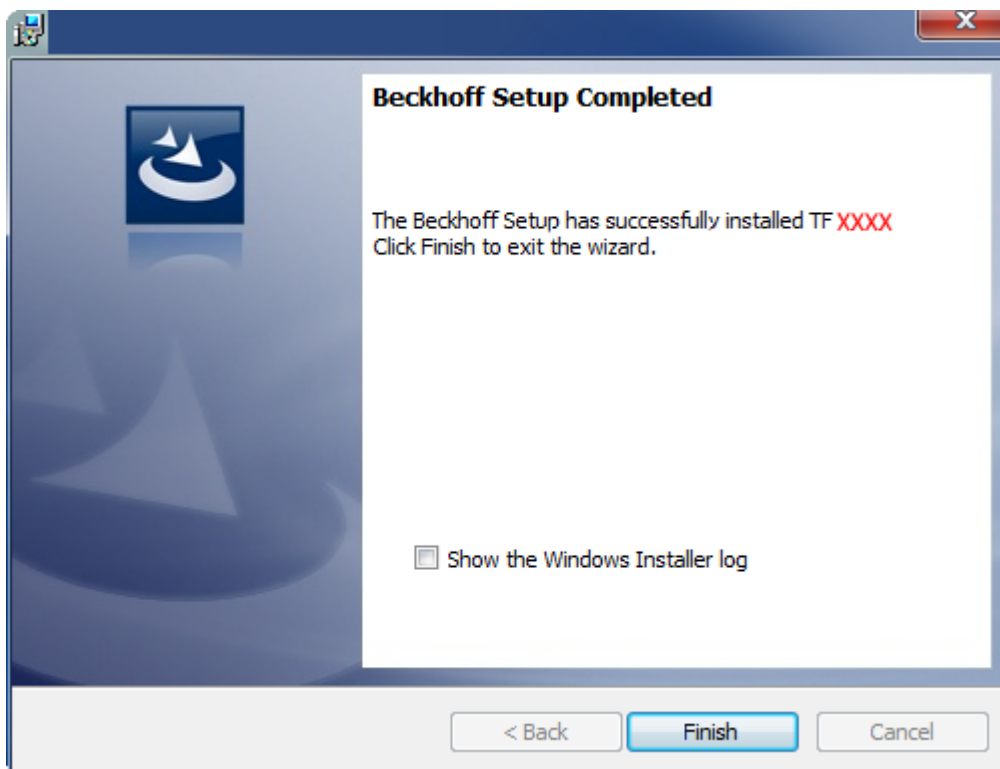


⇒ A dialog box informs you that the TwinCAT system must be stopped to proceed with the installation.

6. Confirm the dialog with **Yes**.



7. Select **Finish** to exit the setup.



⇒ The TwinCAT 3 Function has been successfully installed and can be licensed (see [Licensing](#) [▶ 14]).

3.3 Installation Windows CE

The following section describes how to install a TwinCAT 3 function (TFxxx) on a Beckhoff Embedded PC with Windows CE.

1. [Download and install the setup file](#) [▶ 12]
2. [Transfer the CAB file to the Windows CE device](#) [▶ 13]
3. [Run the CAB file on the Windows CE device](#) [▶ 13]

If an older TFxxx version is already installed on the Windows CE device, it can be updated:

- [Software upgrade](#) [▶ 13]

Download and install the setup file

The CAB installation file for Windows CE is part of the TFxxx setup. This is made available on the Beckhoff website www.beckhoff.com and automatically contains all versions for Windows XP, Windows 7 and Windows CE (x86 and ARM).

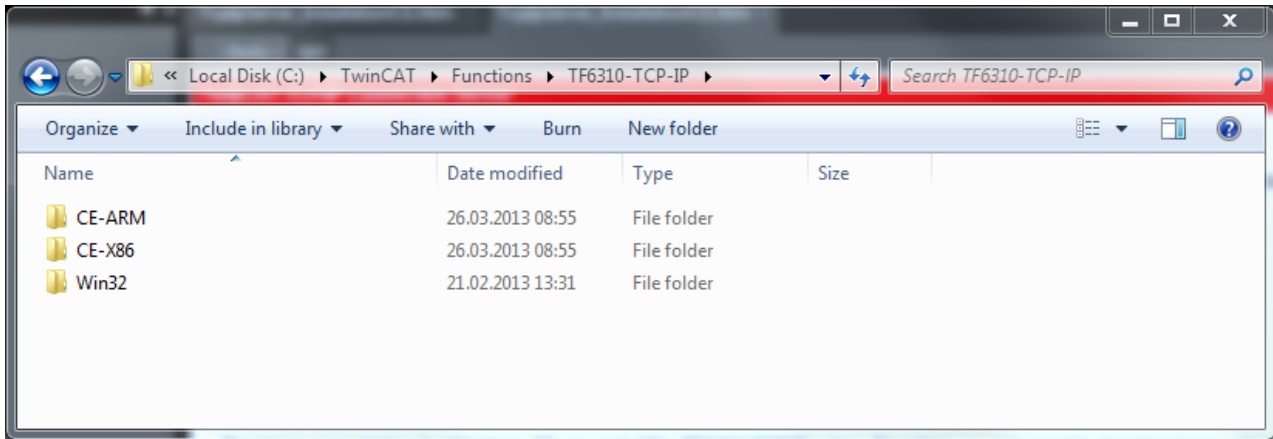
Download the TFxxx setup file and install the TwinCAT 3 function as described in the [Installation](#) [▶ 9] section.

After the installation, the installation folder contains three directories (one directory per hardware platform):

- **CE-ARM:** ARM-based embedded PCs running Windows CE, e.g. CX8090, CX9020
- **CE-X86:** X86-based embedded PCs running Windows CE, e.g. CX50xx, CX20x0
- **Win32:** embedded PCs running Windows XP, Windows 7 or Windows Embedded Standard

The CE-ARM and CE-X86 directories contain the CAB files of the TwinCAT 3 function for Windows CE in relation to the respective hardware platform of the Windows CE device.

Example: installation folder "TF6310"



Transfer the CAB file to the Windows CE device

Transfer the corresponding CAB file to the Windows CE device.

There are various options for transferring the executable file:

- via network shares
- via the integrated FTP server
- via ActiveSync
- via CF/SD cards

Further information can be found in the Beckhoff Information System in the "Operating Systems" documentation (Embedded PC > Operating Systems > [CE](#)).

Run the CAB file on the Windows CE device

After transferring the CAB file to the Windows CE device, double-click the file there. Confirm the installation dialog with **OK**. Then restart the Windows CE device.

After restarting the device, the files of the TwinCAT 3 function (TFxxxx) are automatically loaded in the background and are then available.

The software is installed in the following directory on the Windows CE device:

`\Hard Disk\TwinCAT\Functions\TFxxxx`

Software upgrade

If an older version of the TwinCAT 3 function is already installed on the Windows CE device, carry out the following steps on the Windows CE device to upgrade to a new version:

1. Open the CE Explorer by clicking **Start > Run** and entering "Explorer".
 2. Navigate to `\Hard Disk\TwinCAT\Functions\TFxxx\xxxx`.
 3. Rename the file `Tc*.exe` to `Tc*.old`.
 4. Restart the Windows CE device.
 5. Transfer the new CAB file to the Windows CE device.
 6. Run the CAB file on the Windows CE device and install the new version.
 7. Delete the file `Tc*.old`.
 8. Restart the Windows CE device.
- ⇒ The new version is active after the restart.

3.4 Installing the TwinCAT/BSD

The TwinCAT 3 Function TF6250 - Modbus TCP is available as package `TF6250-Modbus-TCP` for TwinCAT/BSD in the package repository. The package can be installed via the command:

```
doas pkg install TF6250-Modbus-TCP
```

Further information about the [Package Server](#) can be found in the TwinCAT/BSD manual.

The installation stores the TwinCAT Modbus TCP Server and its default configuration file `TcModbusSrv.xml` in the following directory:

```
ls /usr/local/etc/TwinCAT/Functions/TF6250-Modbus-TCP
```

After a restart of the system or restart of TwinCAT, the Modbus TCP Server is started and the configuration from `TcModbusSrv.xml` is taken over.

Information about the configuration can be found in the chapter [Configuration](#).

To adapt the configuration file, different [text editors](#) are available under TwinCAT/BSD.

Alternatively, you can use a [remote access](#) to replace `TcModbusSrv.xml` with an existing configuration file.

In order for the changes to `TcModbusSrv.xml` to be adopted by the TwinCAT Modbus Server, the TwinCAT system must be stopped and restarted. This can be achieved via the following command:

```
doas service TcSystemService restart
```

3.5 Licensing

The TwinCAT 3 function can be activated as a full version or as a 7-day test version. Both license types can be activated via the TwinCAT 3 development environment (XAE).

Licensing the full version of a TwinCAT 3 Function

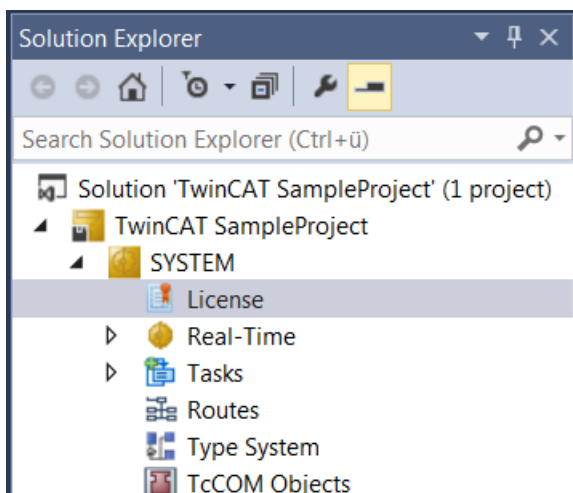
A description of the procedure to license a full version can be found in the Beckhoff Information System in the documentation "[TwinCAT 3 Licensing](#)".

Licensing the 7-day test version of a TwinCAT 3 Function



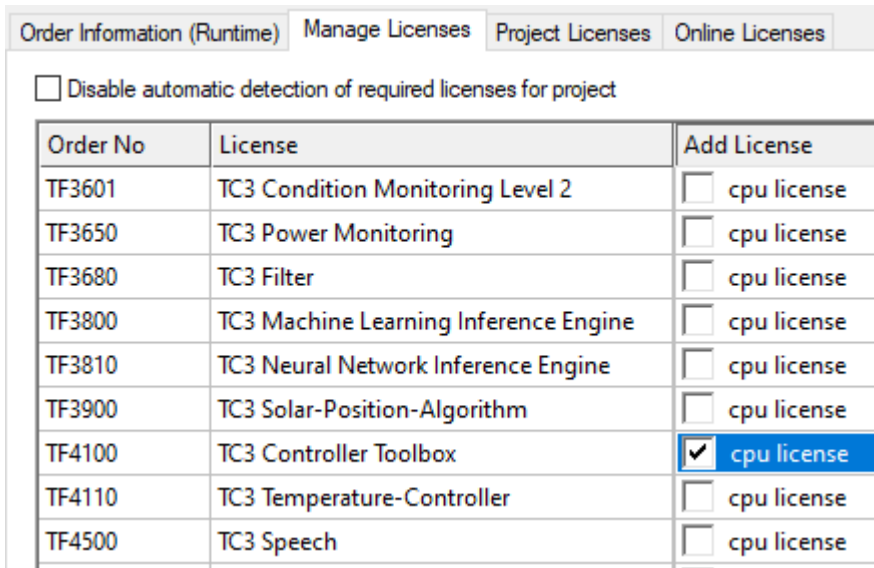
A 7-day test version cannot be enabled for a [TwinCAT 3 license dongle](#).

1. Start the TwinCAT 3 development environment (XAE).
2. Open an existing TwinCAT 3 project or create a new project.
3. If you want to activate the license for a remote device, set the desired target system. To do this, select the target system from the **Choose Target System** drop-down list in the toolbar.
 - ⇒ The licensing settings always refer to the selected target system. When the project is activated on the target system, the corresponding TwinCAT 3 licenses are automatically copied to this system.
4. In the **Solution Explorer**, double-click **License** in the **SYSTEM** subtree.

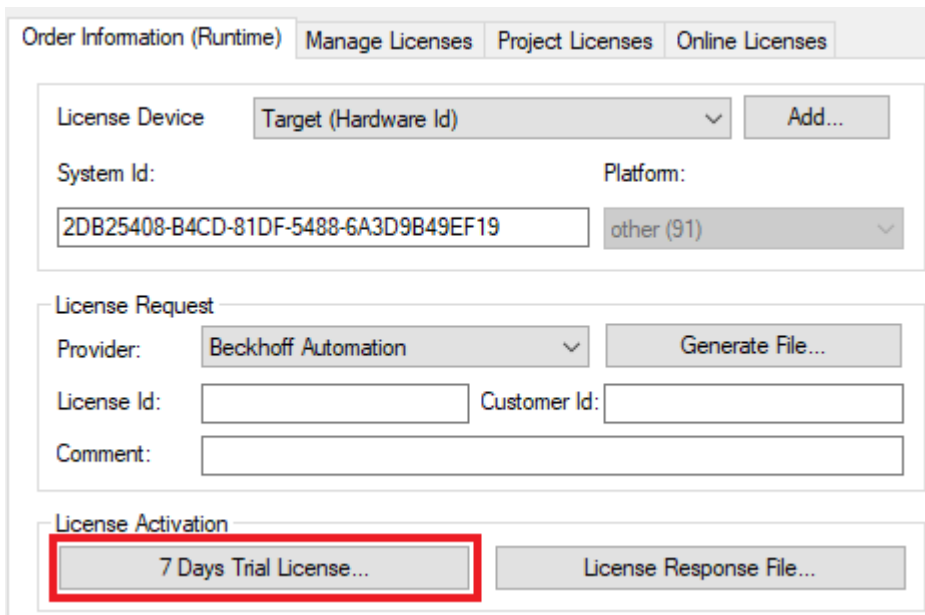


⇒ The TwinCAT 3 license manager opens.

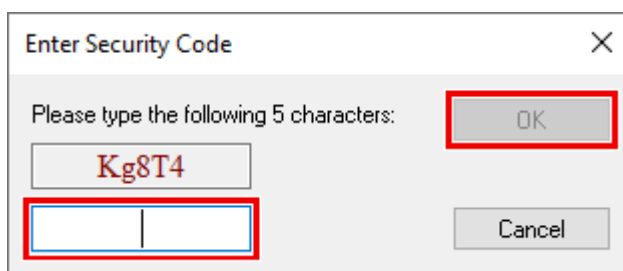
- Open the **Manage Licenses** tab. In the **Add License** column, check the check box for the license you want to add to your project (e.g. "TF4100 TC3 Controller Toolbox").



- Open the **Order Information (Runtime)** tab.
 - ⇒ In the tabular overview of licenses, the previously selected license is displayed with the status "missing".
- Click **7-Day Trial License...** to activate the 7-day trial license.



⇒ A dialog box opens, prompting you to enter the security code displayed in the dialog.



- Enter the code exactly as it is displayed and confirm the entry.
- Confirm the subsequent dialog, which indicates the successful activation.

⇒ In the tabular overview of licenses, the license status now indicates the expiry date of the license.

10. Restart the TwinCAT system.

⇒ The 7-day trial version is enabled.

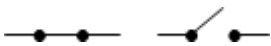

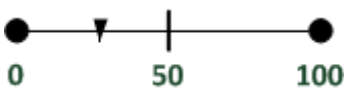

4 Configuration

4.1 Overview

The server can receive Modbus functions via TCP/IP.

Modbus-areas

The Modbus specification defines these four Modbus-areas:

| Modbus-areas | Data type | Access | Example |
|----------------------------------|-----------|--------------|--|
| digital inputs (Discrete Inputs) | 1 Bit | Read only |  |
| digitale outputs (Coils) | 1 Bit | Read / write |  |
| Input registers | 16 Bit | Read only |  |
| Output registers | 16 Bit | Read / write |  |

After the installation the modbus areas are mapped to the PLC areas. Check the article about the [default-mapping](#) [▶ 19].

The [TwinCAT Modbus TCP/IP server configurator](#) [▶ 17] is used for configuring this mapping.

ADS-Access

If you want to access the specific modbus areas, you have to add these global variables to your PLC project.

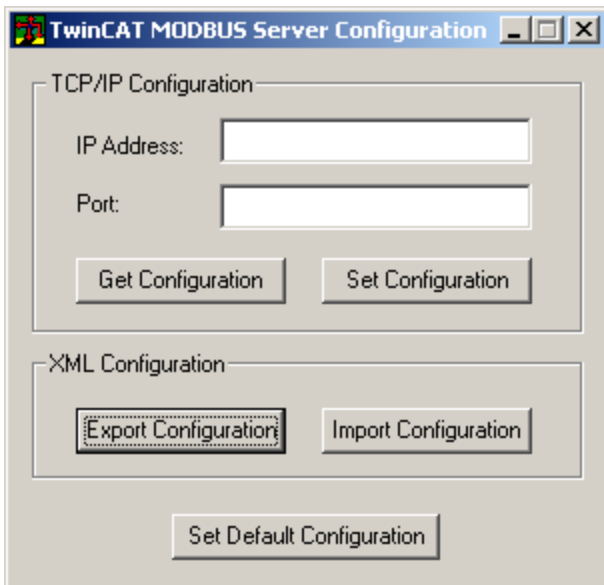
```
VAR_GLOBAL
mb_Input_Coils      :   ARRAY [0..255] OF BOOL;
mb_Output_Coils    :   ARRAY [0..255] OF BOOL;
mb_Input_Registers :   ARRAY [0..255] OF WORD;
mb_Output_Registers :   ARRAY [0..255] OF WORD;
END_VAR
```

Requirements

| Development environment | Target system type | PLC libraries to be linked |
|-------------------------|--------------------|----------------------------|
| TwinCAT v3.0.0 | PC or CX (x86) | Tc2_ModbusSrv |

4.2 TwinCAT Modbus TCP Configurator

The configurator is installed per default to the directory `\TwinCAT3\Functions\TF6250-Modbus-TCP`. The tools allow to read and change the actual configuration of TwinCAT Modbus TCP server.



IP Address: IP of the server. If no address is set, the local one is used (default) .

Port: Configured port of the server (default port = 502).

Get Configuration: Read configured IP address and port.

Set Configuration: Set IP address and port.

Export Configuration: Read and save configuration.

Import Configuration: Import new configuration.

Set Default Configuration: Reset to default-settings (use local ip, Port = 502, and [default mapping \[► 191\]](#)).



TwinCAT must be stopped if you want to use the configurator, which will be done by the tool.

Export configuration

The configuration is XML-based and can be changed by a text editor. With "Export Configuration" the actual configuration can be stored local as XML-file.



It is easier to edit and activate an exported configuration.

Import Mapping-Information

With "Import Configuration" a changed configuration can be imported and activated.



It is possible to map by variable name or IndexGroup/Offset (better performance).

Windows CE

The standard configuration is in the TcModbusSrv.xml (path: \TwinCAT3\Functions\TF6250-Modbus-TCP\Server). If you change the settings in the file, a restart is necessary.

4.3 Default Configuration

The default mapping is shown in the following table:

| Modbus areas | Modbus address | ADS area | |
|-------------------------|-----------------|---|------------------------|
| Digital inputs | 0x8000 - 0x80FF | Name of the variables in the PLC program | Data type |
| | | GVL.mb_Input_Coils | ARRAY [0..255] OF BOOL |
| Digital outputs (coils) | 0x8000 - 0x80FF | Name of the variables in the PLC program | Data type |
| | | GVL.mb_Output_Coils | ARRAY [0..255] OF BOOL |
| Input registers | 0x8000 - 0x80FF | Name of the variables in the PLC program | Data type |
| | | GVL.mb_Input_Registers | ARRAY [0..255] OF WORD |
| Output registers | 0x3000 - 0x5FFF | 0x4020 - PLC memory area | 0x0 |
| | 0x6000 - 0x7FFF | 0x4040 - PLC data area | 0x0 |
| | 0x8000 - 0x80FF | Name of the variables in the PLC program | Data type |
| | | GVL.mb_Output_Registers | ARRAY [0..255] OF WORD |

The server maps the individuals ADS areas and enables the access to the physical process image and maps the PLC data area.

The mapping can be adjusted by the TwinCAT Modbus TCP Configurator [▶ 17].

5 Diagnosis

5.1 Modbus ADS Diagnosis Interface

Modbus ADS diagnosis interface

Via ADS the following information can be monitored:

AMSNetID: AMSNetID of the system. If the local system is used leave empty.

Port: 10500 (AMSPORT_R3_MODBUSSEVER)

ADSRead: see [ADSREAD](#) in the manual [TwinCAT 3 PLC Lib: Tc2_System](#)

| index group | index offset | access | data type | description | minimal Modbus server version |
|-------------|--------------|-------------|-----------|--|-------------------------------|
| 0x2000 | 0 | ADS Read | UINT32 | GetConnectedClientCount returns the number of connected Modbus clients | 1.0.50 |
| 0x2000 | 1 | ADS Read | UINT32 | GetModbusRequestCount returns the received Modbus requests | 1.0.50 |
| 0x2000 | 2 | ADS Read | UINT32 | GetModbusResponseCount returns the received Modbus answers | 1.0.50 |

6 PLC libraries

6.1 Overview

The defined modbus functions are implemented in the PLC library TcModbusSrv.lib.

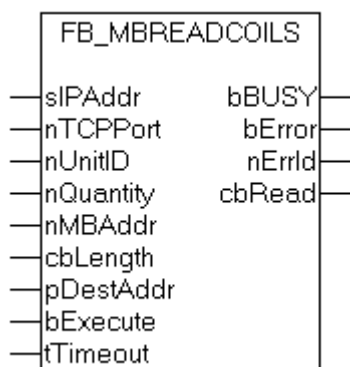
| Modbus TCP function | Function code | PLC block |
|-------------------------------|---------------|---|
| Read Coils | 1 | FB_MBReadCoils [▶ 21] |
| Read Inputs | 2 | FB_MBReadInputs [▶ 23] |
| Read Registers | 3 | FB_MBReadRegs [▶ 25] |
| Read Input Registers | 4 | FB_MBReadInputRegs [▶ 27] |
| Write Single Coil | 5 | FB_MBWriteSingleCoil [▶ 29] |
| Write Single Register | 6 | FB_MBWriteSingleReg [▶ 31] |
| Write Multiple Coils | 15 | FB_MBWriteCoils [▶ 32] |
| Write Multiple Registers | 16 | FB_MBWriteRegs [▶ 34] |
| Read/Write Multiple Registers | 23 | FB_MBReadWriteRegs [▶ 36] |
| Diagnostic | 8 | FB_MBDiagnose [▶ 38] |

Requirements

| Development environment | Target system type | PLC libraries to be linked |
|-------------------------|--------------------|----------------------------|
| TwinCAT v3.0.0 | PC or CX (x86) | Tc2_ModbusSrv |

6.2 Function blocks

6.2.1 FB_MBReadCoils (Modbus function 1)



This function is used for reading 1 to 2048 digital outputs (coils). One digital output corresponds to one bit of the read data bytes.

VAR_INPUT

```

VAR_INPUT
sIPAddr      : STRING(15);
nTCPport     : UINT:= MODBUS_TCP_PORT;
nUnitID      : BYTE:=16#FF;
nQuantity    : WORD;
nMBAAddr     : WORD;
cbLength     : UDINT;
pDestAddr    : POINTER OF BYTE;
  
```

```
bExecute : BOOL;
tTimeout : TIME;
END_VAR
```

sIPAddr : Is a string containing the IP address of the target device.

nTCPPort : Port number of the target device.

nUnitID: Identification number of a serial sub-network device. If a device is addressed directly via TCP/IP, this value must be 16#FF.

nQuantity : Number of digital inputs (data bits) to be read. The value of *nQuantity* must be > 0.

nMBAAddr : Start address of the digital inputs to be read (bit offset).

cbLength : Contains the max. byte size of the destination buffer into which the data are to be read. The minimum buffer byte size must be: $(nQuantity + 7) / 8$.

pDestAddr : Contains the address of the destination buffer into which the data are to be read. The buffer can be a single variable, an array or a structure, whose address can be found with the ADR operator.

bExecute: The function block is activated by a rising edge at this input.

tTimeout: States the length of the timeout that may not be exceeded by execution of the ADS command.

VAR_OUTPUT

```
VAR_OUTPUT
  bBUSY      : BOOL;
  bError     : BOOL;
  nErrId     : UDINT;
  cbRead     : UDINT;
END_VAR
```

bBusy : When the function block is activated this output is set. It remains set until an acknowledgement is received.

bError : If an ADS error should occur during the transfer of the command, then this output is set once the bBusy output is reset.

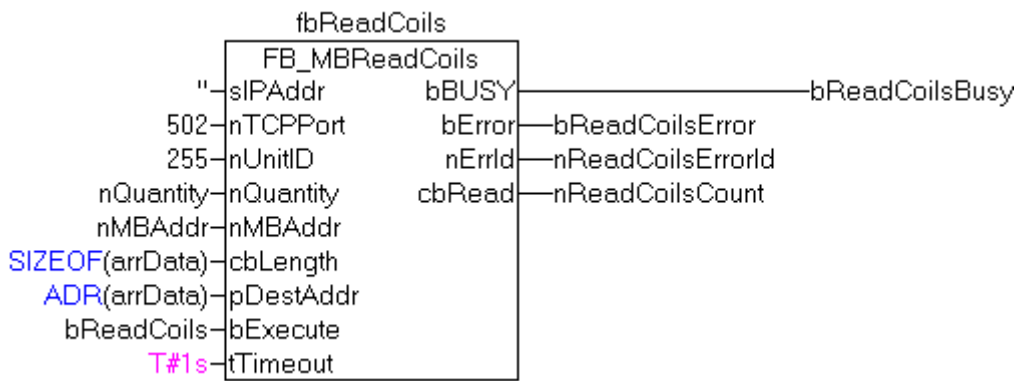
nErrId : Supplies the ADS error number [► 55] when the bError output is set.

cbRead: Contains the number of bytes currently read.

| Function specific ADS error code | Possible reason |
|----------------------------------|---|
| 0x8001 | Modbus function not implemented |
| 0x8002 | Invalid address or length |
| 0x8003 | Invalid parameters: - wrong number of registers |
| 0x8004 | Modbus server error |

Example of calling the block in FBD:

```
PROGRAM Test
VAR
  fbReadCoils      : FB_MBReadCoils;
  bReadCoils      : BOOL;
  bReadCoilsBusy  : BOOL;
  bReadCoilsError  : BOOL;
  nReadCoilsErrorId : UDINT;
  nReadCoilsCount : UDINT;
  nQuantity       : WORD := 10;
  nMBAAddr       : WORD := 5;
  arrData        : ARRAY [1..2] OF BYTE;
END_VAR
```



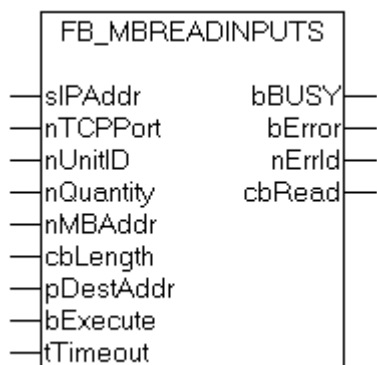
After a rising edge of "bExecute" and successful execution of the ReadCoils command, the content of digital outputs 6 - 15 is written into the arrData array:

| Digital outputs | Array offset | Status |
|-----------------|--------------|---|
| 6-13 | 1 | 0x54 The status of output 13 is the MSB of this byte (left) The status of output 6 is the LSB of this byte (right) |
| 14-15 | 2 | 0x02 Since only 10 outputs are to be read, the remaining bits (3-8) are set to 0. |

Requirements

| Development environment | Target system type | PLC libraries to be linked |
|-------------------------|--------------------|----------------------------|
| TwinCAT v3.0.0 | PC or CX (x86) | Tc2_ModbusSrv |

6.2.2 FB_MBReadInputs (Modbus function 2)



This function is used for reading 1 to 2048 digital inputs. One digital input corresponds to one bit of the read data bytes.

VAR_INPUT

```

VAR_INPUT
  sIPAddr      : STRING(15);
  nTCPPort    : UINT:= MODBUS_TCP_PORT;
  nUnitID     : BYTE:=16#FF;
  nQuantity   : WORD;
  nMBAAddr    : WORD;
  cbLength    : UDINT;
  pDestAddr   : POINTER OF BYTE;

```

```

    bExecute      : BOOL;
    tTimeout      : TIME;
END_VAR

```

sIPAddr: Is a string containing the IP address of the target device.

nTCPPort: Port number of the target device.

nUnitID: Identification number of a serial sub-network device. If a device is addressed directly via TCP/IP, this value must be 16#FF.

nQuantity: Number of digital inputs (data bits) to be read. The *value of nQuantity* must be > 0.

nMBAddr: Start address of the digital inputs to be read (bit offset).

cbLength: Contains the max. byte size of the destination buffer. The minimum buffer byte size must be: $(nQuantity + 7) / 8$.

pDestAddr: Contains the address of the destination buffer into which the data are to be read. The buffer can be a single variable, an array or a structure, whose address can be found with the ADR operator.

bExecute: The function block is activated by a rising edge at this input.

tTimeout: States the length of the timeout that may not be exceeded by execution of the ADS command.

VAR_OUTPUT

```

VAR_OUTPUT
    bBUSY        : BOOL;
    bError       : BOOL;
    nErrId       : UDINT;
    cbRead       : UDINT;
END_VAR

```

bBusy : When the function block is activated this output is set. It remains set until an acknowledgement is received.

bError : If an ADS error should occur during the transfer of the command, then this output is set once the bBusy output is reset.

nErrId : Supplies the ADS error number [► 55] when the bError output is set.

cbRead: Contains the number of bytes currently read.

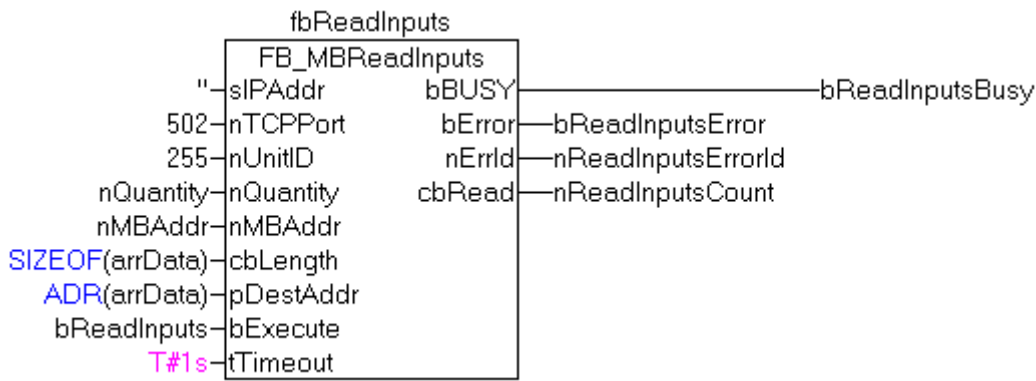
| Function specific ADS error code | Possible reason |
|----------------------------------|---|
| 0x8001 | Modbus function not implemented |
| 0x8002 | Invalid address or length |
| 0x8003 | Invalid parameters: - wrong number of registers |
| 0x8004 | Modbus server error |

Example of calling the block in FBD:

```

PROGRAM Test
VAR
    fbReadInputs      : FB_MBReadInputs;
    bReadInputs       : BOOL;
    bReadInputsBusy   : BOOL;
    bReadInputsError   : BOOL;
    nReadInputsErrorId : UDINT;
    nReadInputsCount   : UDINT;
    nQuantity         : WORD := 20;
    nMBAddr           : WORD := 29;
    arrData           : ARRAY [1..3] OF BYTE;
END_VAR

```

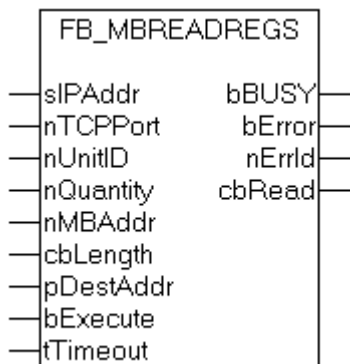
After a rising edge of "bExecute" and successful execution of the ReadInputs command, the content of digital inputs 30 - 49 is written into the arrData array:

| Digital outputs | Array offset | Status |
|-----------------|--------------|--|
| 29-36 | 1 | 0x34 The status of inputs 36 is the MSB of this byte (left) The status of inputs 29 is the LSB of this byte (right) |
| 37-44 | 2 | 0x56 The status of inputs 44 is the MSB of this byte (left) The status of inputs 37 is the LSB of this byte (right) |
| 45-49 | 3 | 0x07 Since only 20 outputs are to be read, the remaining bits (5-8) are set to 0. |

Requirements

| Development environment | Target system type | PLC libraries to be linked |
|-------------------------|--------------------|----------------------------|
| TwinCAT v3.0.0 | PC or CX (x86) | Tc2_ModbusSrv |

6.2.3 FB_MBReadRegs (Modbus function 3)



This function is used for reading 1 to 128 output registers (16 bit). The first byte contains the lower eight bits and the second byte the upper eight bits.

VAR_INPUT

```

VAR_INPUT
  sIPAddr      : STRING(15);
  nTCPPort     : UINT:= MODBUS_TCP_PORT;
  nUnitID      : BYTE:=16#FF;
  nQuantity    : WORD;

```

```

nMBAAddr      : WORD;
cbLength      : UDINT;
pDestAddr     : POINTER OF BYTE;
bExecute      : BOOL;
tTimeout      : TIME;
END_VAR

```

sIPAddr: Is a string containing the IP address of the target device.

nTCPPort: Port number of the target device.

nUnitID: Identification number of a serial sub-network device. If a device is addressed directly via TCP/IP, this value must be 16#FF.

nQuantity: Number of output registers (data words) to be read. The value of *nQuantity* must be > 0.

nMBAAddr: Start address of the output registers to be read (word offset).

cbLength: Contains the max. byte size of the destination buffer. The minimum buffer byte size must be: *nQuantity* * 2.

pDestAddr: Contains the address of the destination buffer into which the data are to be read. The buffer can be a single variable, an array or a structure, whose address can be found with the ADR operator.

bExecute: The function block is activated by a rising edge at this input.

tTimeout: States the length of the timeout that may not be exceeded by execution of the ADS command.

VAR_OUTPUT

```

VAR_OUTPUT
  bBUSY      : BOOL;
  bError     : BOOL;
  nErrId     : UDINT;
  cbRead     : UDINT;
END_VAR

```

bBusy : When the function block is activated this output is set. It remains set until an acknowledgement is received.

bError : If an ADS error should occur during the transfer of the command, then this output is set once the bBusy output is reset.

nErrId : Supplies the ADS error number [► 55] when the bError output is set.

cbRead: Contains the number of bytes currently read.

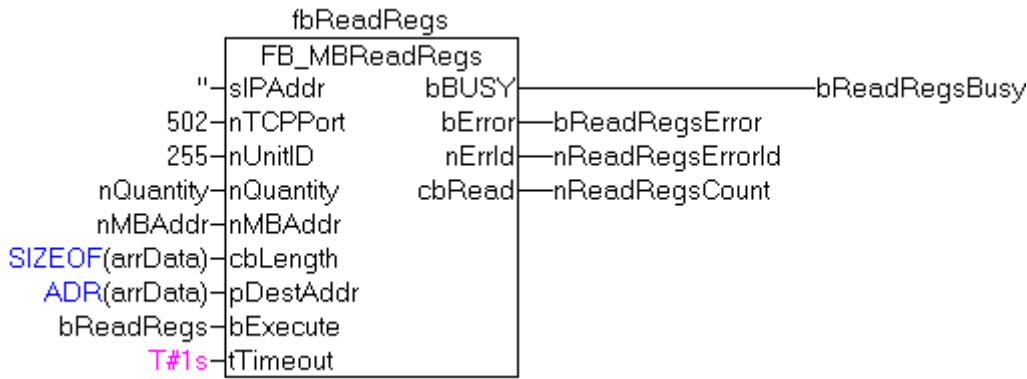
| Function specific ADS error code | Possible reason |
|----------------------------------|---|
| 0x8001 | Modbus function not implemented |
| 0x8002 | Invalid address or length |
| 0x8003 | Invalid parameters: - wrong number of registers |
| 0x8004 | Modbus server error |

Example of calling the block in FBD:

```

PROGRAM Test
VAR
  fbReadRegs      : FB_MBReadRegs;
  bReadRegs      : BOOL;
  bReadRegsBusy  : BOOL;
  bReadRegsError : BOOL;
  nReadRegsErrorId : UDINT;
  nReadRegsCount : UDINT;
  nQuantity      : WORD:=2;
  nMBAAddr       : WORD:=24;
  arrData        : ARRAY [1..2] OF WORD;
END_VAR

```



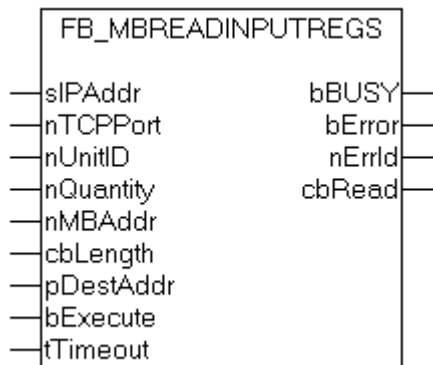
After a rising edge of "bExecute" and successful execution of the ReadRegs command, the content of registers 25 and 26 is located in the arrData array:

| Register | Array offset | Status |
|----------|--------------|-----------------------------|
| 25 | 1 | 0x1234 (as byte 0x34 0x12) |
| 26 | 2 | 0x5563 (as byte 0x63 0x55) |

Requirements

| Development environment | Target system type | PLC libraries to be linked |
|-------------------------|--------------------|----------------------------|
| TwinCAT v3.0.0 | PC or CX (x86) | Tc2_ModbusSrv |

6.2.4 FB_MBReadInputRegs (Modbus function 4)



This function is used for reading 1 to 128 input registers (16 bit). Observe the byte-order little endian.

VAR_INPUT

```

VAR_INPUT
  sIPAddr      : STRING(15);
  nTCPPort    : UINT:= MODBUS_TCP_PORT;
  nUnitID     : BYTE:=16#FF;
  nQuantity   : WORD;
  nMBAAddr    : WORD;
  cbLength    : UDINT;
  pDestAddr   : POINTER OF BYTE;
  bExecute    : BOOL;
  tTimeout    : TIME;
END_VAR
    
```

sIPAddr: Is a string containing the IP address of the target device.

nTCPPort: Port number of the target device.

nUnitID: Identification number of a serial sub-network device. If a device is addressed directly via TCP/IP, this value must be 16#FF.

nQuantity: Number of input registers (data words) to be read. The value of *nQuantity* must be > 0.

nMBAddr: Start address of the input register to be read (word offset).

cbLength: Contains the max. byte size of the destination buffer. The minimum buffer byte size must be: *nQuantity* * 2.

pDestAddr: Contains the address of the destination buffer into which the data are to be read. The buffer can be a single variable, an array or a structure, whose address can be found with the ADR operator.

bExecute: The function block is activated by a rising edge at this input.

tTimeout: States the length of the timeout that may not be exceeded by execution of the ADS command.

VAR_OUTPUT

```
VAR_OUTPUT
  bBUSY      : BOOL;
  bError     : BOOL;
  nErrId     : UDINT;
  cbRead     : UDINT;
END_VAR
```

bBusy : When the function block is activated this output is set. It remains set until an acknowledgement is received.

bError : If an ADS error should occur during the transfer of the command, then this output is set once the bBusy output is reset.

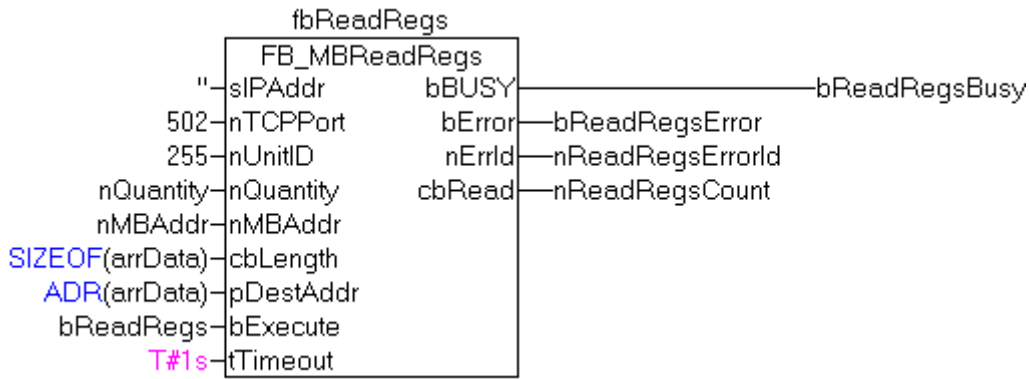
nErrId : Supplies the ADS error number [► 55] when the bError output is set.

cbRead: Contains the number of bytes currently read.

| Function specific ADS error code | Possible reason |
|----------------------------------|---|
| 0x8001 | Modbus function not implemented |
| 0x8002 | Invalid address or length |
| 0x8003 | Invalid parameters: - wrong number of registers |
| 0x8004 | Modbus server error |

Example of calling the block in FBD:

```
PROGRAM Test
VAR
  fbReadRegs      : FB_MBReadRegs;
  bReadRegs      : BOOL;
  bReadRegsBusy  : BOOL;
  bReadRegsError : BOOL;
  nReadRegsErrorId : UDINT;
  nReadRegsCount : UDINT;
  nQuantity      : WORD := 3;
  nMBAddr        : WORD := 2;
  arrData        : ARRAY [1..3] OF WORD;
END_VAR
```



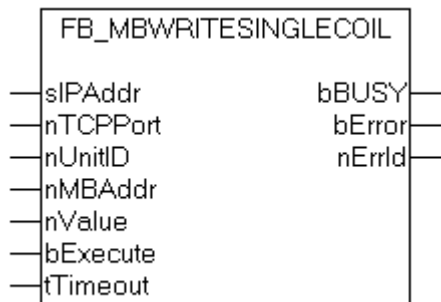
After a rising edge of "bExecute" and successful execution of the ReadRegs command, the content of registers 3-5 is located in the arrData array:

| Register | Array offset | Status |
|----------|--------------|-----------------------------|
| 3 | 1 | 0x4543 (as byte 0x43 0x45) |
| 4 | 2 | 0x5234 (as byte 0x34 0x52) |
| 5 | 2 | 0x1235 (as byte 0x35 0x12) |

Requirements

| Development environment | Target system type | PLC libraries to be linked |
|-------------------------|--------------------|----------------------------|
| TwinCAT v3.0.0 | PC or CX (x86) | Tc2_ModbusSrv |

6.2.5 FB_MBWriteSingleCoil (Modbus function 5)



This function is used for writing a single digital output (coil). Bit access is used.

VAR_INPUT

```

VAR_INPUT
  sIPAddr      : STRING(15);
  nTCPport     : UINT:= MODBUS_TCP_PORT;
  nUnitID      : BYTE:=16#FF;
  nMBAAddr     : WORD;
  nValue       : WORD;
  bExecute     : BOOL;
  tTimeout     : TIME;
END_VAR
    
```

sIPAddr: Is a string containing the IP address of the target device.

nTCPport: Port number of the target device.

nUnitID: Identification number of a serial sub-network device. If a device is addressed directly via TCP/IP, this value must be 16#FF.

nMBAAddr: Address of the digital output (bit offset).

nValue: Value to be written into the digital output. The value 16#FF00 switches the output on, 16#0000 switches it off.

bExecute: The function block is activated by a rising edge at this input.

tTimeout: States the length of the timeout that may not be exceeded by execution of the ADS command.

VAR_OUTPUT

```
VAR_OUTPUT
  bBUSY      : BOOL;
  bError     : BOOL;
  nErrId     : UDINT;
END_VAR
```

bBusy : When the function block is activated this output is set. It remains set until an acknowledgement is received.

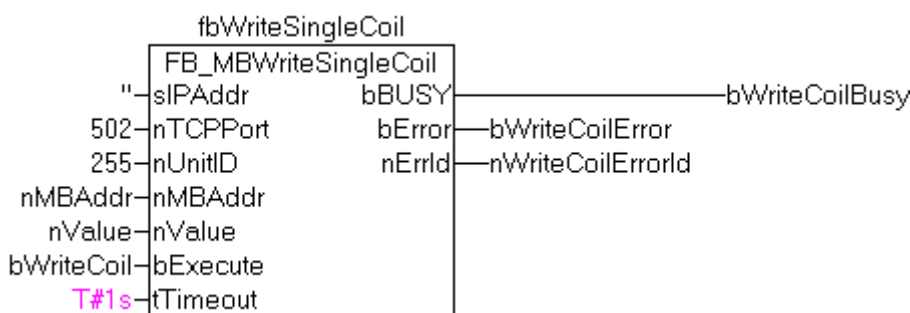
bError : If an ADS error should occur during the transfer of the command, then this output is set once the bBusy output is reset.

nErrId : Supplies the ADS error number [► 55] when the bError output is set.

| Function specific ADS error code | Possible reason |
|----------------------------------|---|
| 0x8001 | Modbus function not implemented |
| 0x8002 | Invalid address or length |
| 0x8003 | Invalid parameters: - wrong number of registers |
| 0x8004 | Modbus server error |

Example of calling the block in FBD:

```
PROGRAM Test
VAR
  fbWriteSingleCoil      : FB_MBWriteSingleCoil;
  bWriteCoil             : BOOL;
  bWriteCoilBusy        : BOOL;
  bWriteCoilError        : BOOL;
  nWriteCoilErrorId     : UDINT;
  nMBAAddr               : WORD := 3;
  nValue                 : WORD := 16#FF00;
END_VAR
```

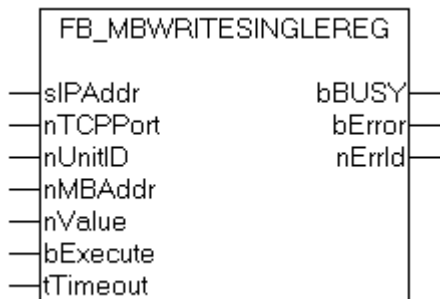


After a rising edge of "bExecute" and successful execution of the WriteSingleCoil command, digital output 4 is switched on.

Requirements

| Development environment | Target system type | PLC libraries to be linked |
|-------------------------|--------------------|----------------------------|
| TwinCAT v3.0.0 | PC or CX (x86) | Tc2_ModbusSrv |

6.2.6 FB_MBWriteSingleReg (Modbus function 6)



This function is used for writing an individual output register. 16 bit access is used.

VAR_INPUT

```

VAR_INPUT
  sIPAddr      : STRING (15);
  nTCPport     : UINT:= MODBUS_TCP_PORT;
  nUnitID      : BYTE:=16#FF;
  nMBAddr      : WORD;
  nValue       : WORD;
  bExecute     : BOOL;
  tTimeout     : TIME;
END_VAR
    
```

sIPAddr: Is a string containing the IP address of the target device.

nTCPport: Port number of the target device.

nUnitID: Identification number of a serial sub-network device. If a device is addressed directly via TCP/IP, this value must be 16#FF.

nMBAddr: Address of the output register (word offset).

nValue: Value to be written into the register (word value).

bExecute: The function block is activated by a rising edge at this input.

tTimeout: States the length of the timeout that may not be exceeded by execution of the ADS command.

VAR_OUTPUT

```

VAR_OUTPUT
  bBUSY       : BOOL;
  bError      : BOOL;
  nErrId      : UDINT;
END_VAR
    
```

bBusy : When the function block is activated this output is set. It remains set until an acknowledgement is received.

bError : If an ADS error should occur during the transfer of the command, then this output is set once the bBusy output is reset.

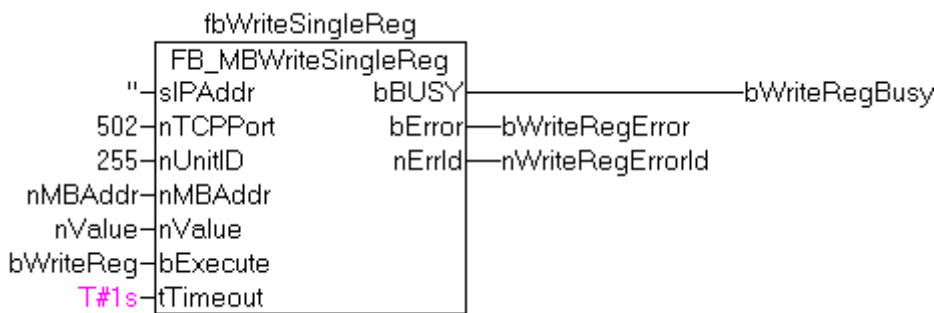
nErrId : Supplies the ADS error number [[▶ 55](#)] when the bError output is set.

| Function specific ADS error code | Possible reason |
|----------------------------------|---|
| 0x8001 | Modbus function not implemented |
| 0x8002 | Invalid address or length |
| 0x8003 | Invalid parameters: - wrong number of registers |
| 0x8004 | Modbus server error |

Example of calling the block in FBD:

```

PROGRAM Test
VAR
  fbWriteSingleReg      : FB_MBWriteSingleReg;
  bWriteReg             : BOOL;
  bWriteRegBusy        : BOOL;
  bWriteRegError       : BOOL;
  nWriteRegErrorId     : UDINT;
  nMBAAddr             : WORD := 4;
  nValue               : WORD := 16#1234;
END_VAR
    
```

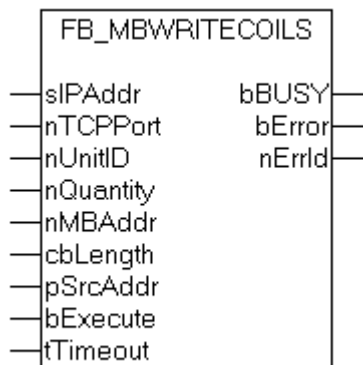


After a rising edge of "bExecute" and successful execution of the WriteSingleReg command, the value 16#1234 is written into register 5.

Requirements

| Development environment | Target system type | PLC libraries to be linked |
|-------------------------|--------------------|----------------------------|
| TwinCAT v3.0.0 | PC or CX (x86) | Tc2_ModbusSrv |

6.2.7 FB_MBWriteCoils (Modbus function 15)



This function is used for writing 1 to 2048 digital outputs (coils). One digital output corresponds to one bit of the write data bytes.

VAR_INPUT

```
VAR_INPUT
  sIPAddr      : STRING(15);
  nTCPPort     : UINT:= MODBUS_TCP_PORT;
  nUnitID      : BYTE:=16#FF;
  nQuantity    : WORD;
  nMBAAddr     : WORD;
  cbLength     : UDINT;
  pSrcAddr     : POINTER OF BYTE;
  bExecute     : BOOL;
  tTimeout     : TIME;
END_VAR
```

sIPAddr: Is a string containing the IP address of the target device.

nTCPPort: Port number of the target device.

nUnitID: Identification number of a serial sub-network device. If a device is addressed directly via TCP/IP, this value must be 16#FF.

nQuantity: Number of digital outputs to be written (data bits). *nQuantity* must be > 0.

nMBAAddr: Start address of the digital outputs to be written (bit offset).

cbLength: Contains the max. byte size of the source buffer containing the data to be written. The minimum buffer byte size must be: $(nQuantity + 7) / 8$.

pSrcAddr: Contains the address of the source buffer containing the data to be written. The buffer can be a single variable, an array or a structure, whose address can be found with the ADR operator.

bExecute: The function block is activated by a rising edge at this input.

tTimeout: States the length of the timeout that may not be exceeded by execution of the ADS command.

VAR_OUTPUT

```
VAR_OUTPUT
  bBUSY        : BOOL;
  bError       : BOOL;
  nErrId       : UDINT;
END_VAR
```

bBusy : When the function block is activated this output is set. It remains set until an acknowledgement is received.

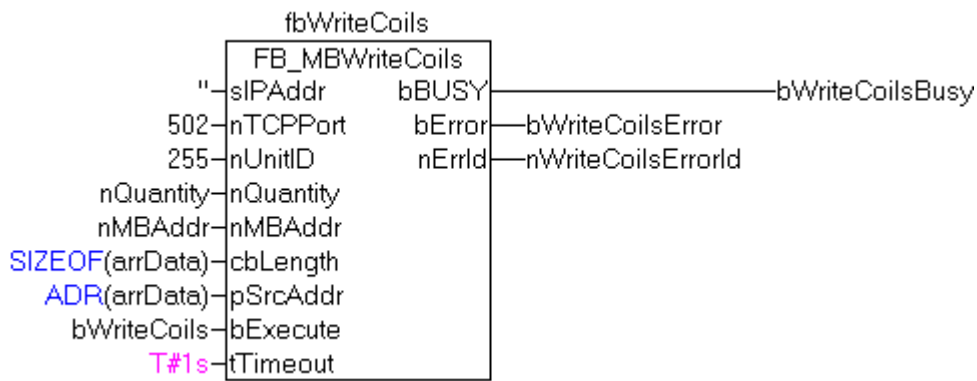
bError : If an ADS error should occur during the transfer of the command, then this output is set once the bBusy output is reset.

nErrId : Supplies the ADS error number [► 55] when the bError output is set.

| Function specific ADS error code | Possible reason |
|----------------------------------|---|
| 0x8001 | Modbus function not implemented |
| 0x8002 | Invalid address or length |
| 0x8003 | Invalid parameters: - wrong number of registers |
| 0x8004 | Modbus server error |

Example of calling the block in FBD:

```
PROGRAM Test
VAR
  fbWriteCoils      : FB_MBWriteCoils;
  bWriteCoils      : BOOL;
  bWriteCoilsBusy  : BOOL;
  bWriteCoilsError  : BOOL;
  nWriteCoilsErrorId : UDINT;
  nWriteCoilsCount  : UDINT;
  nQuantity        : WORD := 10;
  nMBAAddr         : WORD := 14;
  arrData          : ARRAY [1..2] OF BYTE := 16#75,16#03;
END_VAR
```



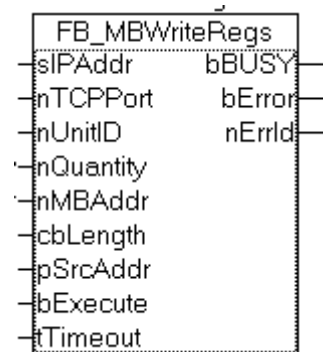
After a rising edge of "bExecute" and successful execution of the ReadCoils command, the content of the arrData array is written to digital outputs 15 - 24:

| Bit | 0 | 1 | 1 | 1 | 0 | 1 | 0 | 1 | 0 | 0 | 0 | 0 | 0 | 0 | 1 | 1 |
|--------|----|----|----|----|----|----|----|----|---|---|---|---|---|---|----|----|
| Output | 22 | 21 | 20 | 19 | 18 | 17 | 16 | 15 | X | X | X | X | X | X | 24 | 23 |

Requirements

| Development environment | Target system type | PLC libraries to be linked |
|-------------------------|--------------------|----------------------------|
| TwinCAT v3.0.0 | PC or CX (x86) | Tc2_ModbusSrv |

6.2.8 FB_MBWriteRegs (Modbus function 16)



This function is used for writing 1 to 128 output registers (16 bit).

VAR_INPUT

```

VAR_INPUT
  sIPAddr      : STRING(15);
  nTCPPort    : UINT:= MODBUS_TCP_PORT;
  nUnitID     : BYTE:=16#FF;
  nQuantity   : WORD;
  nMBAAddr    : WORD;
  cbLength    : UDINT;
  pSrcAddr    : POINTER OF BYTE;
  bExecute    : BOOL;
  tTimeout    : TIME;
END_VAR
    
```

sIPAddr: Is a string containing the IP address of the target device.

nTCPPort: Port number of the target device.

nUnitID: Identification number of a serial sub-network device. If a device is addressed directly via TCP/IP, this value must be 16#FF.

nQuantity: Number of output registers (data words) to be written.

nMBAAddr: Start address of the output registers to be written (word offset).

cbLength: Contains the max. byte size of the source buffer. The minimum buffer byte size must be: $nQuantity * 2$.

pSrcAddr: Contains the address of the source buffer containing the data to be written. The buffer can be a single variable, an array or a structure, whose address can be found with the ADR operator.

bExecute The function block is activated by a rising edge at this input.

tTimeout: States the length of the timeout that may not be exceeded by execution of the ADS command.

VAR_OUTPUT

```
VAR_OUTPUT
  bBUSY      : BOOL;
  bError     : BOOL;
  nErrId     : UDINT;
END_VAR
```

bBusy: When the function block is activated this output is set. It remains set until an acknowledgement is received.

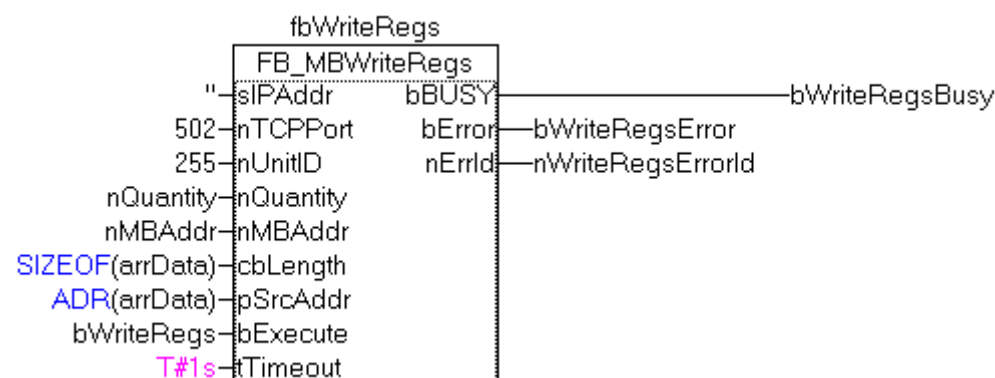
bError: If an ADS error should occur during the transfer of the command, then this output is set once the bBusy output is reset.

nErrId: Supplies the ADS error number [► 55] when the bError output is set.

| Function specific ADS error code | Possible reason |
|----------------------------------|---|
| 0x8001 | Modbus function not implemented |
| 0x8002 | Invalid address or length |
| 0x8003 | Invalid parameters: - wrong number of registers |
| 0x8004 | Modbus server error |

Example of calling the block in FBD:

```
PROGRAM Test
VAR
  fbWriteRegs      : FB_MBWriteRegs;
  bWriteRegs       : BOOL;
  bWriteRegsBusy   : BOOL;
  bWriteRegsError  : BOOL;
  nWriteRegsErrorId : UDINT;
  nWriteRegsCount  : UDINT;
  nQuantity        : WORD := 3;
  nMBAAddr         : WORD := 4;
  arrData          : ARRAY [1..3] OF WORD;
END_VAR
```

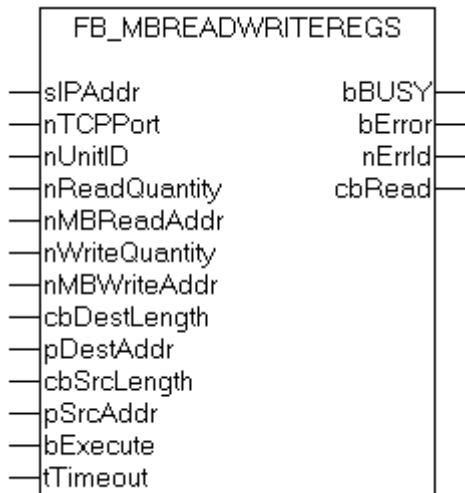


After a rising edge of "bExecute" and successful execution of the ReadRegs command, the content of the arrData array is written to registers 5-7.

Requirements

| Development environment | Target system type | PLC libraries to be linked |
|-------------------------|--------------------|----------------------------|
| TwinCAT v3.0.0 | PC or CX (x86) | Tc2_ModbusSrv |

6.2.9 FB_MBReadWriteRegs (Modbus-Funktion 23)



This function first reads 1 to 128 output registers (16 bit) and then writes 1 to 128 output registers (16 bit).

VAR_INPUT

```

VAR_INPUT
  sIPAddr      : STRING(15);
  nTCPPort     : UINT:= MODBUS_TCP_PORT;
  nUnitID      : BYTE:=16#FF;
  nReadQuantity : WORD;
  nMBReadAddr  : WORD;
  nWriteQuantity : WORD;
  nMBWriteAddr : WORD;
  cbDestLength : UDINT;
  pDestAddr    : POINTER OF BYTE;
  cbSrcLength  : UDINT;
  pSrcAddr     : POINTER OF BYTE;
  bExecute     : BOOL;
  tTimeout     : TIME;
END_VAR

```

sIPAddr : Is a string containing the IP address of the target device.

nTCPPort : Port number of the target device.

nUnitID: Identification number of a serial sub-network device. If a device is addressed directly via TCP/IP, this value must be 16#FF.

nReadQuantity : Number of output registers (data words) to be read. The value of *nReadQuantity* must be > 0.

nMBReadAddr :Start address of the output registers to be read (word offset).

nWriteQuantity : Number of output registers (data words) to be written. The value of *nWriteQuantity* must be > 0.

nMBWriteAddr :Start address of the output registers to be written (word offset).

cbDestLength: Contains the max. byte size of the destination buffer. The minimum destination buffer byte size must be $benReadQuantity * 2$.

pDestAddr : Contains the address of the destination buffer into which the data are to be read. The buffer can be a single variable, an array or a structure, whose address can be found with the ADR operator.

cbSrcLength: Contains the max. byte size of the source buffer. The minimum source buffer byte size must be $benWriteQuantity * 2$.

pSrcAddr : Contains the address of the source buffer containing the data to be written. The buffer can be a single variable, an array or a structure, whose address can be found with the ADR operator.

bExecute: The function block is activated by a rising edge at this input.

tTimeout: States the length of the timeout that may not be exceeded by execution of the ADS command.

VAR_OUTPUT

```
VAR_OUTPUT
  bBUSY      : BOOL;
  bError     : BOOL;
  nErrId     : UDINT;
  cbRead     : UDINT;
END_VAR
```

bBusy: When the function block is activated this output is set. It remains set until an acknowledgement is received.

bError: If an ADS error should occur during the transfer of the command, then this output is set once the bBusy output is reset.

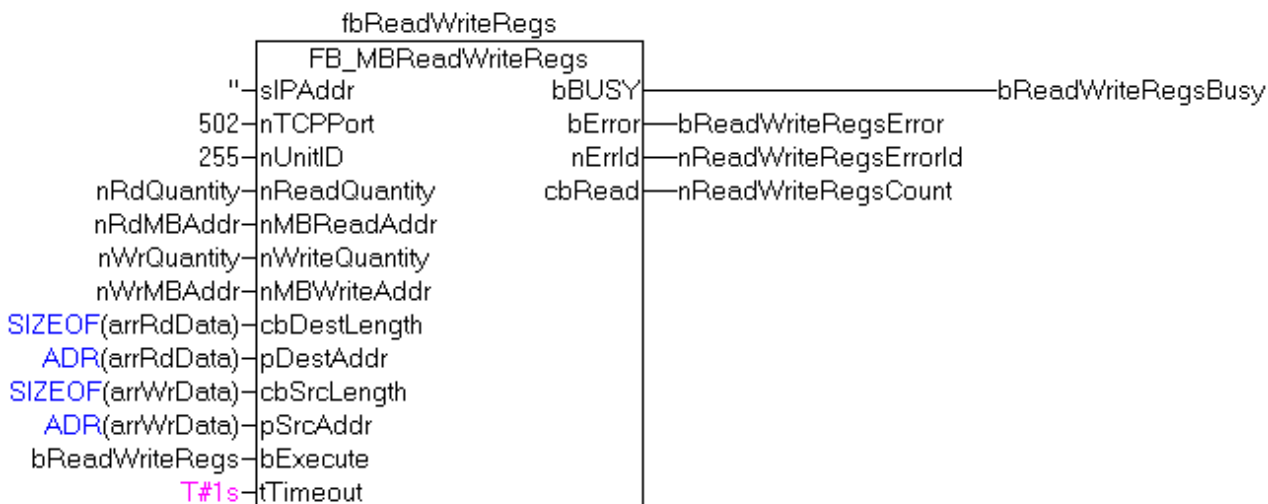
nErrId: Supplies the ADS error number [[▶ 55](#)] when the bError output is set.

cbRead: Contains the number of bytes currently read.

| Function specific ADS error code | Possible reason |
|----------------------------------|---|
| 0x8001 | Modbus function not implemented |
| 0x8002 | Invalid address or length |
| 0x8003 | Invalid parameters: - wrong number of registers |
| 0x8004 | Modbus server error |

Example of calling the block in FBD:

```
PROGRAM Test
VAR
  fbReadWriteRegs      : FB_MBReadWriteRegs;
  bReadWriteRegs      : BOOL;
  bReadWriteRegsBusy  : BOOL;
  bReadWriteRegsError  : BOOL;
  nReadWriteRegsErrorId : UDINT;
  nReadWriteRegsCount : UDINT;
  nRdQuantity         : WORD;
  nRdMBAAddr         : WORD;
  nWrQuantity         : WORD;
  nWrMBAAddr         : WORD;
  arrRdData           : ARRAY [1..9] OF WORD;
  arrWrData           : ARRAY [1..9] OF WORD;
END_VAR
```

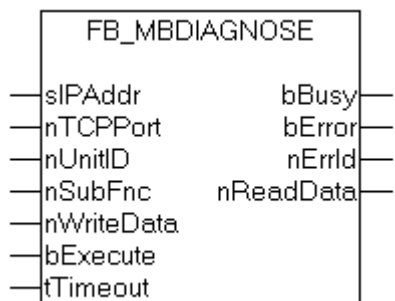


After a rising edge of "bExecute" and successful execution of the ReadWriteRegs command, arrRdData contains the read register data, and the data from arrWrData are written to the registers.

Requirements

| Development environment | Target system type | PLC libraries to be linked |
|-------------------------|--------------------|----------------------------|
| TwinCAT v3.0.0 | PC or CX (x86) | Tc2_ModbusSrv |

6.2.10 FB_MBDiagnose (Modbus function 8)



The diagnosis function provides a series of tests for checking the communication system between the master and the slave and for examining a variety of internal error states within the slave.

VAR_INPUT

```

VAR_INPUT
  sIPAddr      : STRING(15);
  nTCPPort     : UINT:= MODBUS_TCP_PORT;
  nUnitID      : BYTE:=16#FF;
  nSubFnc      : WORD;
  nWriteData   : WORD;
  bExecute     : BOOL;
  tTimeout     : TIME;
END_VAR
    
```

sIPAddr : Is a string containing the IP address of the target device.

nTCPPort : Port number of the target device.

nUnitID: Identification number of a serial sub-network device. If a device is addressed directly via TCP/IP, this value must be 16#FF.

nSubFnc : The sub-function to be executed.

nWriteData: The data word to be written.

bExecute: The function block is activated by a rising edge at this input.

tTimeout: States the length of the timeout that may not be exceeded by execution of the ADS command.

VAR_OUTPUT

```
VAR_OUTPUT
  bBusy      : BOOL;
  bError     : BOOL;
  nErrId     : UDINT;
  nReadData  : WORD;
END_VAR
```

bBusy : When the function block is activated this output is set. It remains set until an acknowledgement is received.

bError : If an ADS error should occur during the transfer of the command, then this output is set once the bBusy output is reset.

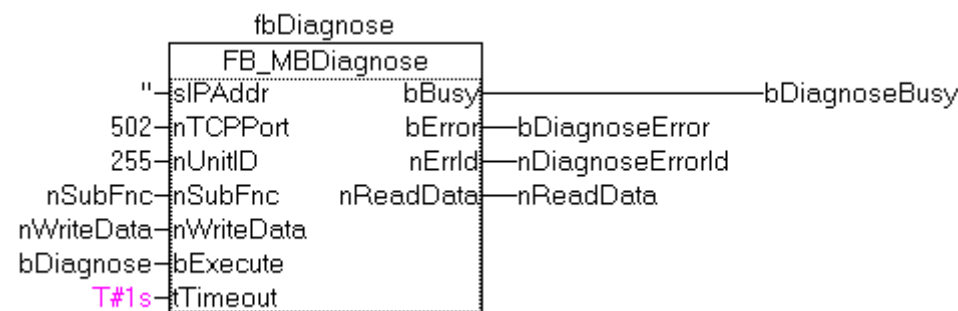
nErrId : Supplies the ADS error number [► 55] when the bError output is set.

nReadData: Supplies the read data word.

| Function specific ADS error code | Possible reason |
|----------------------------------|---|
| 0x8001 | Modbus function not implemented |
| 0x8002 | Invalid address or length |
| 0x8003 | Invalid parameters: - wrong number of registers |
| 0x8004 | Modbus server error |

Example of calling the block in FBD:

```
PROGRAM Test
VAR
  fbDiagnose      : FB_MBDiagnose;
  bDiagnose       : BOOL;
  bDiagnoseBusy   : BOOL;
  bDiagnoseError  : BOOL;
  nDiagnoseErrorId : UDINT;
  nSubFnc         : WORD;
  nReadData       : WORD;
  nWriteData      : WORD;
END_VAR
```



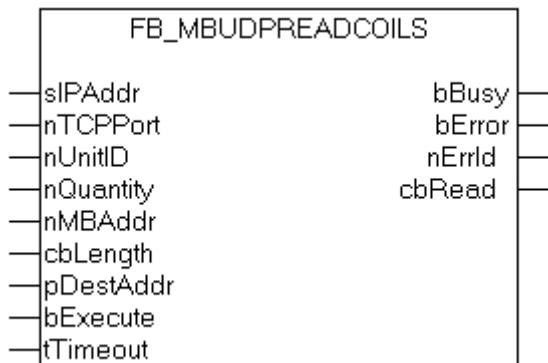
After rising edge of "bExecute" and successful execution of the diagnosis command, nReadData contains the read data word.

Requirements

| Development environment | Target system type | PLC libraries to be linked |
|-------------------------|--------------------|----------------------------|
| TwinCAT v3.0.0 | PC or CX (x86) | Tc2_ModbusSrv |

6.2.11 UDP

6.2.11.1 FB_MBUpdReadCoils (Modbus function 1)



This function is used for reading 1 to 2048 digital outputs (coils). One digital output corresponds to one bit of the read data bytes.

VAR_INPUT

```
VAR_INPUT
  sIPAddr   : STRING(15);
  nTCPport  : UINT:= MODBUS_TCP_PORT;
  nUnitID   : BYTE:=16#FF;
  nQuantity : WORD;
  nMBAAddr  : WORD;
  cbLength  : UDINT;
  pDestAddr : UDINT;
  bExecute  : BOOL;
  tTimeout  : TIME;
END_VAR
```

sIPAddr : Is a string containing the IP address of the target device.

nTCPport : Port number of the target device.

nUnitID: Identification number of a serial sub-network device. If a device is addressed directly via TCP/IP, this value must be 16#FF.

nQuantity : Number of digital inputs (data bits) to be read. The value of *nQuantity* must be > 0.

nMBAAddr : Start address of the digital inputs to be read (bit offset).

cbLength : Contains the max. byte size of the destination buffer into which the data are to be read. The minimum buffer byte size must be: $(nQuantity + 7) / 8$.

pDestAddr : Contains the address of the destination buffer into which the data are to be read. The buffer can be a single variable, an array or a structure, whose address can be found with the ADR operator.

bExecute: The function block is activated by a rising edge at this input.

tTimeout: States the length of the timeout that may not be exceeded by execution of the ADS command.

VAR_OUTPUT

```
VAR_OUTPUT
  bBUSY     : BOOL;
  bError    : BOOL;
  nErrId    : UDINT;
  cbRead    : UDINT;
END_VAR
```

bBusy : When the function block is activated this output is set. It remains set until an acknowledgement is received.

bError : If an ADS error should occur during the transfer of the command, then this output is set once the bBusy output is reset.

nErrId : Supplies the ADS error number [► 55] when the bError output is set.

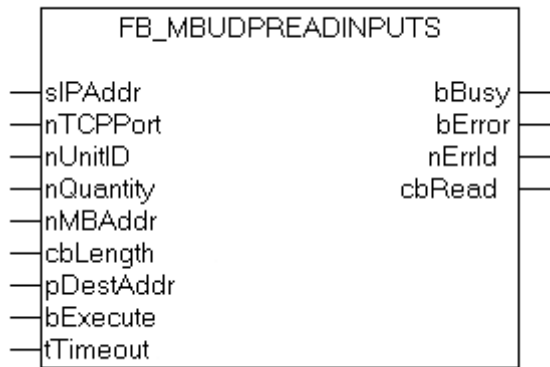
cbRead: Contains the number of bytes currently read.

| Function specific ADS error code | Possible reason |
|----------------------------------|---|
| 0x8001 | Modbus function not implemented |
| 0x8002 | Invalid address or length |
| 0x8003 | Invalid parameters: - wrong number of registers |
| 0x8004 | Modbus server error |

Requirements

| Development environment | Target system type | PLC libraries to be linked |
|-------------------------|--------------------|----------------------------|
| TwinCAT v3.0.0 | PC or CX (x86) | Tc2_ModbusSrv |

6.2.11.2 FB_MBUpdReadInputs (Modbus function 2)



This function is used for reading 1 to 2048 digital inputs. One digital input corresponds to one bit of the read data bytes.

VAR_INPUT

```

VAR_INPUT
  sIPAddr      : STRING(15);
  nTCPPort     : UINT:= MODBUS_TCP_PORT;
  nUnitID      : BYTE:=16#FF;
  nQuantity    : WORD;
  nMBAAddr     : WORD;
  cbLength     : UDINT;
  pDestAddr    : POINTER OF BYTE;
  bExecute     : BOOL;
  tTimeout     : TIME;
END_VAR
    
```

sIPAddr: Is a string containing the IP address of the target device.

nTCPPort: Port number of the target device.

nUnitID: Identification number of a serial sub-network device. If a device is addressed directly via TCP/IP, this value must be 16#FF.

nQuantity: Number of digital inputs (data bits) to be read. The *value of nQuantity* must be > 0.

nMBAAddr: Start address of the digital inputs to be read (bit offset).

cbLength: Contains the max. byte size of the destination buffer. The minimum buffer byte size must be: $(nQuantity + 7) / 8$.

pDestAddr: Contains the address of the destination buffer into which the data are to be read. The buffer can be a single variable, an array or a structure, whose address can be found with the ADR operator.

bExecute: The function block is activated by a rising edge at this input.

tTimeout: States the length of the timeout that may not be exceeded by execution of the ADS command.

VAR_OUTPUT

```
VAR_OUTPUT
  bBUSY      : BOOL;
  bError     : BOOL;
  nErrId    : UDINT;
  cbRead    : UDINT;
END_VAR
```

bBusy : When the function block is activated this output is set. It remains set until an acknowledgement is received.

bError : If an ADS error should occur during the transfer of the command, then this output is set once the bBusy output is reset.

nErrId : Supplies the ADS error number [► 55] when the bError output is set.

cbRead: Contains the number of bytes currently read.

| Function specific ADS error code | Possible reason |
|----------------------------------|---|
| 0x8001 | Modbus function not implemented |
| 0x8002 | Invalid address or length |
| 0x8003 | Invalid parameters: - wrong number of registers |
| 0x8004 | Modbus server error |

Requirements

| Development environment | Target system type | PLC libraries to be linked |
|-------------------------|--------------------|----------------------------|
| TwinCAT v3.0.0 | PC or CX (x86) | Tc2_ModbusSrv |

6.2.11.3 FB_MBUpdReadRegs (Modbus function 3)



This function is used for reading 1 to 128 output registers (16 bit). The first byte contains the lower eight bits and the second byte the upper eight bits.

VAR_INPUT

```
VAR_INPUT
  sIPAddr      : STRING(15);
  nTCPport    : UINT:= MODBUS_TCP_PORT;
  nUnitID     : BYTE:=16#FF;
  nQuantity   : WORD;
  nMBAAddr    : WORD;
  cbLength    : UDINT;
```

```
pDestAddr : POINTER OF BYTE;
bExecute  : BOOL;
tTimeout  : TIME;
END_VAR
```

sIPAddr: Is a string containing the IP address of the target device.

nTCPPort: Port number of the target device.

nUnitID: Identification number of a serial sub-network device. If a device is addressed directly via TCP/IP, this value must be 16#FF.

nQuantity: Number of output registers (data words) to be read. The value of *nQuantity* must be > 0.

nMBAAddr: Start address of the output registers to be read (word offset).

cbLength: Contains the max. byte size of the destination buffer. The minimum buffer byte size must be: *nQuantity* * 2.

pDestAddr: Contains the address of the destination buffer into which the data are to be read. The buffer can be a single variable, an array or a structure, whose address can be found with the ADR operator.

bExecute: The function block is activated by a rising edge at this input.

tTimeout: States the length of the timeout that may not be exceeded by execution of the ADS command.

VAR_OUTPUT

```
VAR_OUTPUT
  bBUSY      : BOOL;
  bError     : BOOL;
  nErrId     : UDINT;
  cbRead     : UDINT;
END_VAR
```

bBusy : When the function block is activated this output is set. It remains set until an acknowledgement is received.

bError : If an ADS error should occur during the transfer of the command, then this output is set once the bBusy output is reset.

nErrId : Supplies the ADS error number [► 55] when the bError output is set.

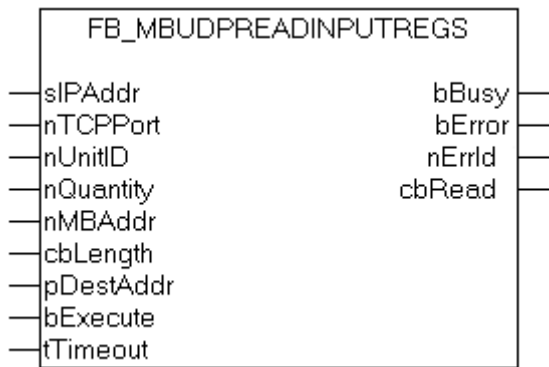
cbRead: Contains the number of bytes currently read.

| Function specific ADS error code | Possible reason |
|----------------------------------|---|
| 0x8001 | Modbus function not implemented |
| 0x8002 | Invalid address or length |
| 0x8003 | Invalid parameters: - wrong number of registers |
| 0x8004 | Modbus server error |

Requirements

| Development environment | Target system type | PLC libraries to be linked |
|-------------------------|--------------------|----------------------------|
| TwinCAT v3.0.0 | PC or CX (x86) | Tc2_ModbusSrv |

6.2.11.4 FB_MBUpdReadInputRegs (Modbus function 4)



This function is used for reading 1 to 128 input registers (16 bit). Endian

VAR_INPUT

```
VAR_INPUT
  sIPAddr   : STRING(15);
  nTCPPort  : UINT:= MODBUS_TCP_PORT;
  nUnitID   : BYTE:=16#FF;
  nQuantity : WORD;
  nMBAAddr  : WORD;
  cbLength  : UDINT;
  pDestAddr : POINTER OF BYTE;
  bExecute  : BOOL;
  tTimeout  : TIME;
END_VAR
```

sIPAddr: Is a string containing the IP address of the target device.

nTCPPort: Port number of the target device.

nUnitID: Identification number of a serial sub-network device. If a device is addressed directly via TCP/IP, this value must be 16#FF.

nQuantity: Number of input registers (data words) to be read. The value of *nQuantity* must be > 0.

nMBAAddr: Start address of the input register to be read (word offset).

cbLength: Contains the max. byte size of the destination buffer. The minimum buffer byte size must be: *nQuantity* * 2.

pDestAddr: Contains the address of the destination buffer into which the data are to be read. The buffer can be a single variable, an array or a structure, whose address can be found with the ADR operator.

bExecute: The function block is activated by a rising edge at this input.

tTimeout: States the length of the timeout that may not be exceeded by execution of the ADS command.

VAR_OUTPUT

```
VAR_OUTPUT
  bBUSY     : BOOL;
  bError    : BOOL;
  nErrId    : UDINT;
  cbRead    : UDINT;
END_VAR
```

bBusy : When the function block is activated this output is set. It remains set until an acknowledgement is received.

bError : If an ADS error should occur during the transfer of the command, then this output is set once the bBusy output is reset.

nErrId : Supplies the ADS error number [► 55] when the bError output is set.

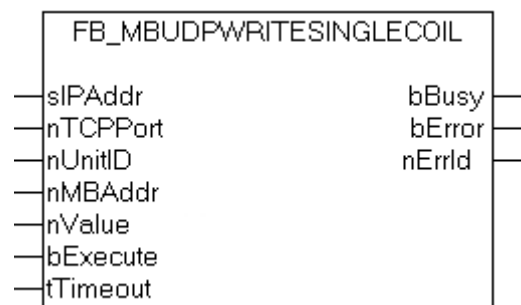
cbRead: Contains the number of bytes currently read.

| Function specific ADS error code | Possible reason |
|----------------------------------|---|
| 0x8001 | Modbus function not implemented |
| 0x8002 | Invalid address or length |
| 0x8003 | Invalid parameters: - wrong number of registers |
| 0x8004 | Modbus server error |

Requirements

| Development environment | Target system type | PLC libraries to be linked |
|-------------------------|--------------------|----------------------------|
| TwinCAT v3.0.0 | PC or CX (x86) | Tc2_ModbusSrv |

6.2.11.5 FB_MBUDPWRITE SINGLE COIL (Modbus function 5)



This function is used for writing a single digital output (coil). Bit access is used.

VAR_INPUT

```

VAR_INPUT
  sIPAddr      : STRING(15);
  nTCPPort     : UINT:= MODBUS_TCP_PORT;
  nUnitID      : BYTE:=16#FF;
  nMBAAddr     : WORD;
  nValue       : WORD;
  bExecute     : BOOL;
  tTimeout     : TIME;
END_VAR
    
```

sIPAddr: Is a string containing the IP address of the target device.

nTCPPort: Port number of the target device.

nUnitID: Identification number of a serial sub-network device. If a device is addressed directly via TCP/IP, this value must be 16#FF.

nMBAAddr: Address of the digital output (bit offset).

nValue: Value to be written into the digital output. The value 16#FF00 switches the output on, 16#0000 switches it off.

bExecute: The function block is activated by a rising edge at this input.

tTimeout: States the length of the timeout that may not be exceeded by execution of the ADS command.

VAR_OUTPUT

```

VAR_OUTPUT
  bBUSY       : BOOL;
  bError      : BOOL;
  nErrId      : UDINT;
END_VAR
    
```

bBusy : When the function block is activated this output is set. It remains set until an acknowledgement is received.

bError : If an ADS error should occur during the transfer of the command, then this output is set once the bBusy output is reset.

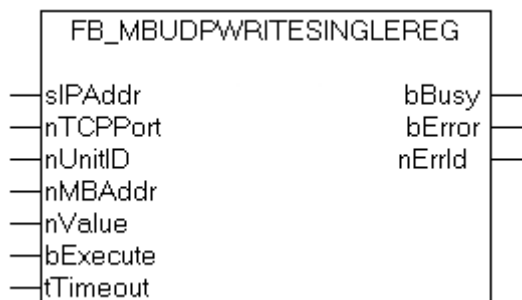
nErrId : Supplies the ADS error number [► 55] when the bError output is set.

| Function specific ADS error code | Possible reason |
|----------------------------------|---|
| 0x8001 | Modbus function not implemented |
| 0x8002 | Invalid address or length |
| 0x8003 | Invalid parameters: - wrong number of registers |
| 0x8004 | Modbus server error |

Requirements

| Development environment | Target system type | PLC libraries to be linked |
|-------------------------|--------------------|----------------------------|
| TwinCAT v3.0.0 | PC or CX (x86) | Tc2_ModbusSrv |

6.2.11.6 FB_MBUpWriteSingleReg (Modbus function 6)



This function is used for writing an individual output register. 16 bit access is used.

VAR_INPUT

```

VAR_INPUT
  sIPAddr      : STRING(15);
  nTCPPort     : UINT:= MODBUS_TCP_PORT;
  nUnitID      : BYTE:=16#FF;
  nMBAAddr     : WORD;
  nValue       : WORD;
  bExecute     : BOOL;
  tTimeout     : TIME;
END_VAR

```

sIPAddr: Is a string containing the IP address of the target device.

nTCPPort: Port number of the target device.

nUnitID: Identification number of a serial sub-network device. If a device is addressed directly via TCP/IP, this value must be 16#FF.

nMBAAddr: Address of the output register (word offset).

nValue: Value to be written into the register (word value).

bExecute: The function block is activated by a rising edge at this input.

tTimeout: States the length of the timeout that may not be exceeded by execution of the ADS command.

VAR_OUTPUT

```
VAR_OUTPUT
  bBUSY      : BOOL;
  bError     : BOOL;
  nErrId     : UDINT;
END_VAR
```

bBusy : When the function block is activated this output is set. It remains set until an acknowledgement is received.

bError : If an ADS error should occur during the transfer of the command, then this output is set once the bBusy output is reset.

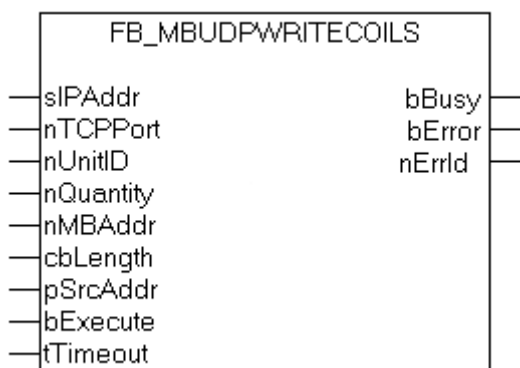
nErrId : Supplies the ADS error number [► 55] when the bError output is set.

| Function specific ADS error code | Possible reason |
|----------------------------------|---|
| 0x8001 | Modbus function not implemented |
| 0x8002 | Invalid address or length |
| 0x8003 | Invalid parameters: - wrong number of registers |
| 0x8004 | Modbus server error |

Requirements

| Development environment | Target system type | PLC libraries to be linked |
|-------------------------|--------------------|----------------------------|
| TwinCAT v3.0.0 | PC or CX (x86) | Tc2_ModbusSrv |

6.2.11.7 FB_MBUDpWriteCoils (Modbus function 15)



This function is used for writing 1 to 2048 digital outputs (coils). One digital output corresponds to one bit of the write data bytes.

VAR_INPUT

```
VAR_INPUT
  sIPAddr      : STRING(15);
  nTCPport     : UINT:= MODBUS_TCP_PORT;
  nUnitID      : BYTE:=16#FF;
  nQuantity    : WORD;
  nMBAAddr     : WORD;
  cbLength     : UDINT;
  pSrcAddr     : POINTER OF BYTE;
  bExecute     : BOOL;
  tTimeout     : TIME;
END_VAR
```

sIPAddr: Is a string containing the IP address of the target device.

nTCPport: Port number of the target device.

nUnitID: Identification number of a serial sub-network device. If a device is addressed directly via TCP/IP, this value must be 16#FF.

nQuantity: Number of digital outputs to be written (data bits). *nQuantity* must be > 0.

nMBAAddr: Start address of the digital outputs to be written (bit offset).

cbLength: Contains the max. byte size of the source buffer containing the data to be written. The minimum buffer byte size must be: $(nQuantity + 7) / 8$.

pSrcAddr: Contains the address of the source buffer containing the data to be written. The buffer can be a single variable, an array or a structure, whose address can be found with the ADR operator.

bExecute: The function block is activated by a rising edge at this input.

tTimeout: States the length of the timeout that may not be exceeded by execution of the ADS command.

VAR_OUTPUT

```
VAR_OUTPUT
  bBUSY      : BOOL;
  bError     : BOOL;
  nErrId     : UDINT;
  cbRead     : UDINT;
END_VAR
```

bBusy : When the function block is activated this output is set. It remains set until an acknowledgement is received.

bError : If an ADS error should occur during the transfer of the command, then this output is set once the bBusy output is reset.

nErrId : Supplies the ADS error number [► 55] when the bError output is set.

| Function specific ADS error code | Possible reason |
|----------------------------------|---|
| 0x8001 | Modbus function not implemented |
| 0x8002 | Invalid address or length |
| 0x8003 | Invalid parameters: - wrong number of registers |
| 0x8004 | Modbus server error |

Requirements

| Development environment | Target system type | PLC libraries to be linked |
|-------------------------|--------------------|----------------------------|
| TwinCAT v3.0.0 | PC or CX (x86) | Tc2_ModbusSrv |

6.2.11.8 FB_MBUDpWriteRegs (Modbus function 16)



This function is used for writing 1 to 128 output registers (16 bit).

VAR_INPUT

```
VAR_INPUT
  sIPAddr   : STRING(15);
  nTCPPort  : UINT:= MODBUS_TCP_PORT;
  nUnitID   : BYTE:=16#FF;
  nQuantity : WORD;
  nMBAAddr  : WORD;
  cbLength  : UDINT;
  pSrcAddr  : POINTER OF BYTE;
  bExecute  : BOOL;
  tTimeout  : TIME;
END_VAR
```

sIPAddr: Is a string containing the IP address of the target device.

nTCPPort: Port number of the target device.

nUnitID: Identification number of a serial sub-network device. If a device is addressed directly via TCP/IP, this value must be 16#FF.

nQuantity: Number of output registers (data words) to be written.

nMBAAddr: Start address of the output registers to be written (word offset).

cbLength: Contains the max. byte size of the source buffer. The minimum buffer byte size must be: *nQuantity* * 2.

pSrcAddr: Contains the address of the source buffer containing the data to be written. The buffer can be a single variable, an array or a structure, whose address can be found with the ADR operator.

bExecute The function block is activated by a rising edge at this input.

tTimeout: States the length of the timeout that may not be exceeded by execution of the ADS command.

VAR_OUTPUT

```
VAR_OUTPUT
  bBUSY     : BOOL;
  bError    : BOOL;
  nErrId    : UDINT;
END_VAR
```

bBusy: When the function block is activated this output is set. It remains set until an acknowledgement is received.

bError: If an ADS error should occur during the transfer of the command, then this output is set once the bBusy output is reset.

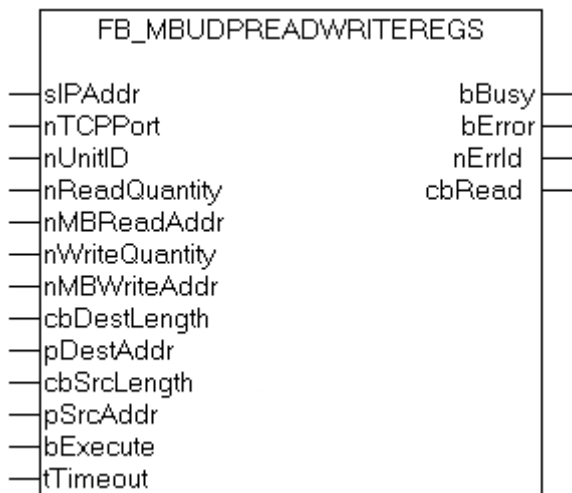
nErrId: Supplies the ADS error number [► 55] when the bError output is set.

| Function specific ADS error code | Possible reason |
|----------------------------------|---|
| 0x8001 | Modbus function not implemented |
| 0x8002 | Invalid address or length |
| 0x8003 | Invalid parameters: - wrong number of registers |
| 0x8004 | Modbus server error |

Requirements

| Development environment | Target system type | PLC libraries to be linked |
|-------------------------|--------------------|----------------------------|
| TwinCAT v3.0.0 | PC or CX (x86) | Tc2_ModbusSrv |

6.2.11.9 FB_MBUpdReadWriteRegs (Modbus function 23)



This function first reads 1 to 128 output registers (16 bit) and then writes 1 to 128 output registers (16 bit).

VAR_INPUT

```

VAR_INPUT
  sIPAddr      : STRING(15);
  nTCPPort     : UINT:= MODBUS_TCP_PORT;
  nUnitID      : BYTE:=16#FF;
  nReadQuantity : WORD;
  nMBReadAddr  : WORD;
  nWriteQuantity : WORD;
  nMBWriteAddr : WORD;
  cbDestLength : UDINT;
  pDestAddr    : POINTER OF BYTE;
  cbSrcLength  : UDINT;
  pSrcAddr     : POINTER OF BYTE;
  bExecute     : BOOL;
  tTimeout     : TIME;
END_VAR

```

sIPAddr : Is a string containing the IP address of the target device.

nTCPPort : Port number of the target device.

nUnitID: Identification number of a serial sub-network device. If a device is addressed directly via TCP/IP, this value must be 16#FF.

nReadQuantity : Number of output registers (data words) to be read. The value of *nReadQuantity* must be > 0.

nMBReadAddr : Start address of the output registers to be read (word offset).

nWriteQuantity : Number of output registers (data words) to be written. The value of *nWriteQuantity* must be > 0.

nMBWriteAddr : Start address of the output registers to be written (word offset).

cbDestLength : Contains the max. byte size of the destination buffer. The minimum destination buffer byte size must be *nReadQuantity* * 2.

pDestAddr : Contains the address of the destination buffer into which the data are to be read. The buffer can be a single variable, an array or a structure, whose address can be found with the ADR operator.

cbSrcLength : Contains the max. byte size of the source buffer. The minimum source buffer byte size must be *nWriteQuantity* * 2.

pSrcAddr : Contains the address of the source buffer containing the data to be written. The buffer can be a single variable, an array or a structure, whose address can be found with the ADR operator.

bExecute: The function block is activated by a rising edge at this input.

tTimeout: States the length of the timeout that may not be exceeded by execution of the ADS command.

VAR_OUTPUT

```
VAR_OUTPUT
  bBUSY      : BOOL;
  bError     : BOOL;
  nErrId    : UDINT;
  cbRead    : UDINT;
END_VAR
```

bBusy : When the function block is activated this output is set. It remains set until an acknowledgement is received.

bError : If an ADS error should occur during the transfer of the command, then this output is set once the bBusy output is reset.

nErrId : Supplies the ADS error number [► 55] when the bError output is set.

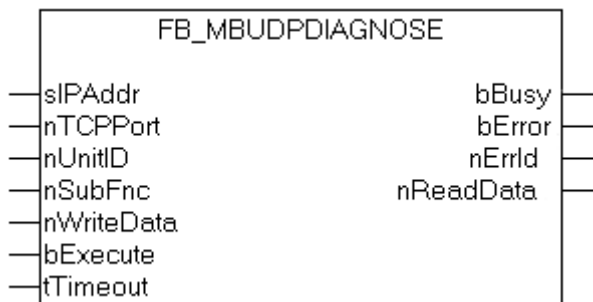
cbRead: Contains the number of bytes currently read.

| Function specific ADS error code | Possible reason |
|----------------------------------|---|
| 0x8001 | Modbus function not implemented |
| 0x8002 | Invalid address or length |
| 0x8003 | Invalid parameters: - wrong number of registers |
| 0x8004 | Modbus server error |

Requirements

| Development environment | Target system type | PLC libraries to be linked |
|-------------------------|--------------------|----------------------------|
| TwinCAT v3.0.0 | PC or CX (x86) | Tc2_ModbusSrv |

6.2.11.10 FB_MBUDPDIAGNOSE (Modbus function 8)



The diagnosis function provides a series of tests for checking the communication system between the master and the slave and for examining a variety of internal error states within the slave.

VAR_INPUT

```
VAR_INPUT
  sIPAddr    : STRING(15);
  nTCPport   : UINT:= MODBUS_TCP_PORT;
  nUnitID    : BYTE:=16#FF;
  nSubFnc    : WORD;
  nWriteData : WORD;
  bExecute   : BOOL;
  tTimeout   : TIME;
END_VAR
```

sIPAddr : Is a string containing the IP address of the target device.

nTCPport : Port number of the target device.

nUnitID: Identification number of a serial sub-network device. If a device is addressed directly via TCP/IP, this value must be 16#FF.

nSubFnc : The sub-function to be executed.

nWriteData: The data word to be written.

bExecute: The function block is activated by a rising edge at this input.

tTimeout: States the length of the timeout that may not be exceeded by execution of the ADS command.

VAR_OUTPUT

```
VAR_OUTPUT
  bBusy      : BOOL;
  bError     : BOOL;
  nErrId     : UDINT;
  nReadData  : WORD;
END_VAR
```

bBusy : When the function block is activated this output is set. It remains set until an acknowledgement is received.

bError : If an ADS error should occur during the transfer of the command, then this output is set once the bBusy output is reset.

nErrId : Supplies the [ADS error number \[► 55\]](#) when the bError output is set.

nReadData: Supplies the read data word.

| Function specific ADS error code | Possible reason |
|----------------------------------|---|
| 0x8001 | Modbus function not implemented |
| 0x8002 | Invalid address or length |
| 0x8003 | Invalid parameters: - wrong number of registers |
| 0x8004 | Modbus server error |

Requirements

| Development environment | Target system type | PLC libraries to be linked |
|-------------------------|--------------------|----------------------------|
| TwinCAT v3.0.0 | PC or CX (x86) | Tc2_ModbusSrv |

6.3 Global constants

6.3.1 Library Version

All libraries have a specific version. This version is shown in the PLC library repository too. A global constant contains the library version information:

Global_Version

```
VAR_GLOBAL CONSTANT
  stLibVersion_Tc2_ModbusSrv : ST_LibVersion;
END_VAR
```

To compare the existing version to a required version the function `F_CmpLibVersion` (defined in `Tc2_System` library) is offered.



All other possibilities known from TwinCAT2 libraries to query a library version are obsolete!

7 Samples

7.1 Sample: Digital IO access

This sample explains the access to a TwinCAT system via Modbus.

The default mapping [► 19] of the TwinCAT Modbus TCP maps the digital output (coils) to the physical outputs of the PLC.

```
PROGRAM MAIN
VAR
  Q00 AT%QX0.0 : BOOL;
  Q01 AT%QX0.1 : BOOL;
  Q02 AT%QX0.2 : BOOL;
  Q03 AT%QX0.3 : BOOL;
  Q04 AT%QX0.4 : BOOL;
  Q05 AT%QX0.5 : BOOL;
  Q06 AT%QX0.6 : BOOL;
  Q07 AT%QX0.7 : BOOL;

  fbWriteCoils : FB_MBWriteCoils;
  bWrite       : BOOL;
  nValue       : INT;
END_VAR
```

```
IF NOT bWrite THEN
  nValue := nValue + 1;

  bWrite := TRUE;

  fbWriteCoils.nQuantity := 8;
  fbWriteCoils.cbLength  := SIZEOF(nValue);
  fbWriteCoils.pSrcAddr  := ADR(nValue);
  fbWriteCoils.tTimeout  := T#5s;
  fbWriteCoils(bExecute:=TRUE);

ELSIF NOT fbWriteCoils.bBUSY THEN
  bWrite := FALSE;
END_IF
fbWriteCoils(bExecute:=FALSE);
```

The counter nValue will be written to physical outputs of the plc (Q00-Q07) by a rising edge of bWrite.

The bit ordering is explained in this table:

| | | | | | | | | |
|---------------|--------------|----------|----------|----------|----------|----------|----------|--------------|
| Bit | 8 MSB | 7 | 6 | 5 | 4 | 3 | 2 | 1 LSB |
| Output | 7 | 6 | 5 | 4 | 3 | 2 | 1 | 0 |

MSB = Most significant bit

LSB = Least significant bit

Requirements

| Development environment | Target system type | PLC libraries to be linked |
|-------------------------|--------------------|----------------------------|
| TwinCAT v3.0.0 | PC or CX (x86) | Tc2_ModbusSrv |

7.2 Sample: Multiple register access

This sample explains the access to the register of a TwinCAT system via Modbus.

The Modbusaddress **0x3000** is mapped by the default-configuration [▶ 19] to the memory area of the plc (ADS-Indexgroup 0x4020)

After you call `bWriteRegs`, the array `arrValue` is written to the flag area and thus to the variable `M0`.

```
PROGRAM MAIN
VAR
  ipAddr      : STRING(15) := '';
  M0 AT%MBO   : ARRAY [0..3] OF WORD;
  arrValue    : ARRAY [0..3] OF WORD;
  fbWriteRegs : FB_MBWriteRegs;
  bWriteRegs  : BOOL;
END_VAR

IF NOT bWriteRegs THEN
  arrValue[0] := arrValue[0]+1;
  arrValue[1] := arrValue[1]+1;
  arrValue[2] := arrValue[2]+1;
  arrValue[3] := arrValue[3]+1;

  bWriteRegs :=TRUE;

  fbWriteRegs.sIPAddr := ipAddr;
  fbWriteRegs.nQuantity := 4;
  fbWriteRegs.nMBAAddr := 16#3000;
  fbWriteRegs.cbLength := SIZEOF(arrValue);
  fbWriteRegs.pSrcAddr := ADR(arrValue);
  fbWriteRegs.tTimeout := T#5s;
  fbWriteRegs(bExecute:=TRUE);

ELSIF NOT fbWriteRegs.bBUSY THEN
  bWriteRegs :=FALSE;
END_IF
  fbWriteRegs(bExecute:=FALSE);
```

The array `arrValue` will be written to the memory area of the plc (`M0`) by a rising edge on `bWriteRegs`.

Requirements

| Development environment | Target system type | PLC libraries to be linked |
|-------------------------|--------------------|----------------------------|
| TwinCAT v3.0.0 | PC or CX (x86) | Tc2_ModbusSrv |

8 Appendix

8.1 Overview

TwinCAT ADS return code

| Hex | Dezimal | Source |
|-----------------------|-----------------------|--|
| 0x00000000-0x00007800 | 0-30720 | TwinCAT System return codes [▶ 56] |
| 0x00008000-0x000080FF | 32768-33023 | Internal TwinCAT Modbus TCP |
| 0x80070000-0x8007FFFF | 2147942400-2148007935 | Returncode - 0x80070000 = Win32 System Returncode [▶ 59] |

TwinCAT Modbus TCP return code

| Function specific ADS return code | Possible reason |
|-----------------------------------|---|
| 0x8001 | Modbus function not implemented |
| 0x8002 | Invalid address or length |
| 0x8003 | Invalid parameters: - wrong number of registers |
| 0x8004 | Modbus server error |

Requirements

| Development environment | Target system type | PLC libraries to be linked |
|-------------------------|--------------------|----------------------------|
| TwinCAT v3.0.0 | PC or CX (x86) | Tc2_ModbusSrv |

8.2 ADS Return Codes

Grouping of error codes:

Global error codes: [ADS Return Codes \[▶ 55\]](#)... (0x9811_0000 ...)

Router error codes: [ADS Return Codes \[▶ 56\]](#)... (0x9811_0500 ...)

General ADS errors: [ADS Return Codes \[▶ 56\]](#)... (0x9811_0700 ...)

RTime error codes: [ADS Return Codes \[▶ 58\]](#)... (0x9811_1000 ...)

Global error codes

| Hex | Dec | HRESULT | Name | Description |
|------|-----|------------|---------------------------|--|
| 0x0 | 0 | 0x98110000 | ERR_NOERROR | No error. |
| 0x1 | 1 | 0x98110001 | ERR_INTERNAL | Internal error. |
| 0x2 | 2 | 0x98110002 | ERR_NORTIME | No real time. |
| 0x3 | 3 | 0x98110003 | ERR_ALLOCLOCKEDMEM | Allocation locked – memory error. |
| 0x4 | 4 | 0x98110004 | ERR_INSERTMAILBOX | Mailbox full – the ADS message could not be sent. Reducing the number of ADS messages per cycle will help. |
| 0x5 | 5 | 0x98110005 | ERR_WRONGRECEIVEHMSG | Wrong HMSG. |
| 0x6 | 6 | 0x98110006 | ERR_TARGETPORTNOTFOUND | Target port not found – ADS server is not started or is not reachable. |
| 0x7 | 7 | 0x98110007 | ERR_TARGETMACHINENOTFOUND | Target computer not found – AMS route was not found. |
| 0x8 | 8 | 0x98110008 | ERR_UNKNOWNCMDID | Unknown command ID. |
| 0x9 | 9 | 0x98110009 | ERR_BADTASKID | Invalid task ID. |
| 0xA | 10 | 0x9811000A | ERR_NOIO | No IO. |
| 0xB | 11 | 0x9811000B | ERR_UNKNOWNAMSCMD | Unknown AMS command. |
| 0xC | 12 | 0x9811000C | ERR_WIN32ERROR | Win32 error. |
| 0xD | 13 | 0x9811000D | ERR_PORTNOTCONNECTED | Port not connected. |
| 0xE | 14 | 0x9811000E | ERR_INVALIDAMSLENGTH | Invalid AMS length. |
| 0xF | 15 | 0x9811000F | ERR_INVALIDAMSNETID | Invalid AMS Net ID. |
| 0x10 | 16 | 0x98110010 | ERR_LOWINSTLEVEL | Installation level is too low –TwinCAT 2 license error. |
| 0x11 | 17 | 0x98110011 | ERR_NODEBUGINTAVAILABLE | No debugging available. |
| 0x12 | 18 | 0x98110012 | ERR_PORTDISABLED | Port disabled – TwinCAT system service not started. |
| 0x13 | 19 | 0x98110013 | ERR_PORTALREADYCONNECTED | Port already connected. |
| 0x14 | 20 | 0x98110014 | ERR_AMSSYNC_W32ERROR | AMS Sync Win32 error. |
| 0x15 | 21 | 0x98110015 | ERR_AMSSYNC_TIMEOUT | AMS Sync Timeout. |
| 0x16 | 22 | 0x98110016 | ERR_AMSSYNC_AMSERROR | AMS Sync error. |
| 0x17 | 23 | 0x98110017 | ERR_AMSSYNC_NOINDEXINMAP | No index map for AMS Sync available. |
| 0x18 | 24 | 0x98110018 | ERR_INVALIDAMSPORT | Invalid AMS port. |
| 0x19 | 25 | 0x98110019 | ERR_NOMEMORY | No memory. |
| 0x1A | 26 | 0x9811001A | ERR_TCPSEND | TCP send error. |
| 0x1B | 27 | 0x9811001B | ERR_HOSTUNREACHABLE | Host unreachable. |
| 0x1C | 28 | 0x9811001C | ERR_INVALIDAMSFAGMENT | Invalid AMS fragment. |
| 0x1D | 29 | 0x9811001D | ERR_TLSSSEND | TLS send error – secure ADS connection failed. |
| 0x1E | 30 | 0x9811001E | ERR_ACCESSDENIED | Access denied – secure ADS access denied. |

Router error codes

| Hex | Dec | HRESULT | Name | Description |
|-------|------|------------|----------------------------|--|
| 0x500 | 1280 | 0x98110500 | ROUTERERR_NOLOCKEDMEMORY | Locked memory cannot be allocated. |
| 0x501 | 1281 | 0x98110501 | ROUTERERR_RESIZEMEMORY | The router memory size could not be changed. |
| 0x502 | 1282 | 0x98110502 | ROUTERERR_MAILBOXFULL | The mailbox has reached the maximum number of possible messages. |
| 0x503 | 1283 | 0x98110503 | ROUTERERR_DEBUGBOXFULL | The Debug mailbox has reached the maximum number of possible messages. |
| 0x504 | 1284 | 0x98110504 | ROUTERERR_UNKNOWNPORTTYPE | The port type is unknown. |
| 0x505 | 1285 | 0x98110505 | ROUTERERR_NOTINITIALIZED | The router is not initialized. |
| 0x506 | 1286 | 0x98110506 | ROUTERERR_PORTALREADYINUSE | The port number is already assigned. |
| 0x507 | 1287 | 0x98110507 | ROUTERERR_NOTREGISTERED | The port is not registered. |
| 0x508 | 1288 | 0x98110508 | ROUTERERR_NOMOREQUEUES | The maximum number of ports has been reached. |
| 0x509 | 1289 | 0x98110509 | ROUTERERR_INVALIDPORT | The port is invalid. |
| 0x50A | 1290 | 0x9811050A | ROUTERERR_NOTACTIVATED | The router is not active. |
| 0x50B | 1291 | 0x9811050B | ROUTERERR_FRAGMENTBOXFULL | The mailbox has reached the maximum number for fragmented messages. |
| 0x50C | 1292 | 0x9811050C | ROUTERERR_FRAGMENTTIMEOUT | A fragment timeout has occurred. |
| 0x50D | 1293 | 0x9811050D | ROUTERERR_TOBEREMOVED | The port is removed. |

General ADS error codes

| Hex | Dec | HRESULT | Name | Description |
|-------|------|------------|------------------------------------|--|
| 0x700 | 1792 | 0x98110700 | ADSERR_DEVICE_ERROR | General device error. |
| 0x701 | 1793 | 0x98110701 | ADSERR_DEVICE_SRVNOTSUPP | Service is not supported by the server. |
| 0x702 | 1794 | 0x98110702 | ADSERR_DEVICE_INVALIDGRP | Invalid index group. |
| 0x703 | 1795 | 0x98110703 | ADSERR_DEVICE_INVALIDOFFSET | Invalid index offset. |
| 0x704 | 1796 | 0x98110704 | ADSERR_DEVICE_INVALIDACCESS | Reading or writing not permitted. |
| 0x705 | 1797 | 0x98110705 | ADSERR_DEVICE_INVALIDSIZE | Parameter size not correct. |
| 0x706 | 1798 | 0x98110706 | ADSERR_DEVICE_INVALIDDATA | Invalid data values. |
| 0x707 | 1799 | 0x98110707 | ADSERR_DEVICE_NOTREADY | Device is not ready to operate. |
| 0x708 | 1800 | 0x98110708 | ADSERR_DEVICE_BUSY | Device is busy. |
| 0x709 | 1801 | 0x98110709 | ADSERR_DEVICE_INVALIDCONTEXT | Invalid operating system context. This can result from use of ADS blocks in different tasks. It may be possible to resolve this through multitasking synchronization in the PLC. |
| 0x70A | 1802 | 0x9811070A | ADSERR_DEVICE_NOMEMORY | Insufficient memory. |
| 0x70B | 1803 | 0x9811070B | ADSERR_DEVICE_INVALIDPARM | Invalid parameter values. |
| 0x70C | 1804 | 0x9811070C | ADSERR_DEVICE_NOTFOUND | Not found (files, ...). |
| 0x70D | 1805 | 0x9811070D | ADSERR_DEVICE_SYNTAX | Syntax error in file or command. |
| 0x70E | 1806 | 0x9811070E | ADSERR_DEVICE_INCOMPATIBLE | Objects do not match. |
| 0x70F | 1807 | 0x9811070F | ADSERR_DEVICE_EXISTS | Object already exists. |
| 0x710 | 1808 | 0x98110710 | ADSERR_DEVICE_SYMBOLNOTFOUND | Symbol not found. |
| 0x711 | 1809 | 0x98110711 | ADSERR_DEVICE_SYMBOLVERSIONINVALID | Invalid symbol version. This can occur due to an online change. Create a new handle. |
| 0x712 | 1810 | 0x98110712 | ADSERR_DEVICE_INVALIDSTATE | Device (server) is in invalid state. |
| 0x713 | 1811 | 0x98110713 | ADSERR_DEVICE_TRANSMODENOTSUPP | AdsTransMode not supported. |
| 0x714 | 1812 | 0x98110714 | ADSERR_DEVICE_NOTIFYHNDINVALID | Notification handle is invalid. |
| 0x715 | 1813 | 0x98110715 | ADSERR_DEVICE_CLIENTUNKNOWN | Notification client not registered. |
| 0x716 | 1814 | 0x98110716 | ADSERR_DEVICE_NOMOREHDLS | No further handle available. |
| 0x717 | 1815 | 0x98110717 | ADSERR_DEVICE_INVALIDWATCHSIZE | Notification size too large. |
| 0x718 | 1816 | 0x98110718 | ADSERR_DEVICE_NOTINIT | Device not initialized. |
| 0x719 | 1817 | 0x98110719 | ADSERR_DEVICE_TIMEOUT | Device has a timeout. |
| 0x71A | 1818 | 0x9811071A | ADSERR_DEVICE_NOINTERFACE | Interface query failed. |
| 0x71B | 1819 | 0x9811071B | ADSERR_DEVICE_INVALIDINTERFACE | Wrong interface requested. |
| 0x71C | 1820 | 0x9811071C | ADSERR_DEVICE_INVALIDCLSID | Class ID is invalid. |
| 0x71D | 1821 | 0x9811071D | ADSERR_DEVICE_INVALIDOBJID | Object ID is invalid. |
| 0x71E | 1822 | 0x9811071E | ADSERR_DEVICE_PENDING | Request pending. |
| 0x71F | 1823 | 0x9811071F | ADSERR_DEVICE_ABORTED | Request is aborted. |
| 0x720 | 1824 | 0x98110720 | ADSERR_DEVICE_WARNING | Signal warning. |
| 0x721 | 1825 | 0x98110721 | ADSERR_DEVICE_INVALIDARRAYIDX | Invalid array index. |
| 0x722 | 1826 | 0x98110722 | ADSERR_DEVICE_SYMBOLNOTACTIVE | Symbol not active. |
| 0x723 | 1827 | 0x98110723 | ADSERR_DEVICE_ACCESSDENIED | Access denied. |
| 0x724 | 1828 | 0x98110724 | ADSERR_DEVICE_LICENSENOTFOUND | Missing license. |
| 0x725 | 1829 | 0x98110725 | ADSERR_DEVICE_LICENSEEXPIRED | License expired. |
| 0x726 | 1830 | 0x98110726 | ADSERR_DEVICE_LICENSEEXCEEDED | License exceeded. |
| 0x727 | 1831 | 0x98110727 | ADSERR_DEVICE_LICENSEINVALID | Invalid license. |
| 0x728 | 1832 | 0x98110728 | ADSERR_DEVICE_LICENSESYSTEMID | License problem: System ID is invalid. |
| 0x729 | 1833 | 0x98110729 | ADSERR_DEVICE_LICENSENOTIMELIMIT | License not limited in time. |
| 0x72A | 1834 | 0x9811072A | ADSERR_DEVICE_LICENSEFUTUREISSUE | Licensing problem: time in the future. |
| 0x72B | 1835 | 0x9811072B | ADSERR_DEVICE_LICENSETIMETOLONG | License period too long. |
| 0x72C | 1836 | 0x9811072C | ADSERR_DEVICE_EXCEPTION | Exception at system startup. |
| 0x72D | 1837 | 0x9811072D | ADSERR_DEVICE_LICENSEDUPLICATED | License file read twice. |
| 0x72E | 1838 | 0x9811072E | ADSERR_DEVICE_SIGNATUREINVALID | Invalid signature. |
| 0x72F | 1839 | 0x9811072F | ADSERR_DEVICE_CERTIFICATEINVALID | Invalid certificate. |
| 0x730 | 1840 | 0x98110730 | ADSERR_DEVICE_LICENSEOEMNOTFOUND | Public key not known from OEM. |
| 0x731 | 1841 | 0x98110731 | ADSERR_DEVICE_LICENSERESTRICTED | License not valid for this system ID. |
| 0x732 | 1842 | 0x98110732 | ADSERR_DEVICE_LICENSEDEMODENIED | Demo license prohibited. |
| 0x733 | 1843 | 0x98110733 | ADSERR_DEVICE_INVALIDFNCID | Invalid function ID. |
| 0x734 | 1844 | 0x98110734 | ADSERR_DEVICE_OUTOFRANGE | Outside the valid range. |
| 0x735 | 1845 | 0x98110735 | ADSERR_DEVICE_INVALIDALIGNMENT | Invalid alignment. |
| 0x736 | 1846 | 0x98110736 | ADSERR_DEVICE_LICENSEPLATFORM | Invalid platform level. |

| Hex | Dec | HRESULT | Name | Description |
|-------|------|------------|--------------------------------|--|
| 0x737 | 1847 | 0x98110737 | ADSERR_DEVICE_FORWARD_PL | Context – forward to passive level. |
| 0x738 | 1848 | 0x98110738 | ADSERR_DEVICE_FORWARD_DL | Context – forward to dispatch level. |
| 0x739 | 1849 | 0x98110739 | ADSERR_DEVICE_FORWARD_RT | Context – forward to real time. |
| 0x740 | 1856 | 0x98110740 | ADSERR_CLIENT_ERROR | Client error. |
| 0x741 | 1857 | 0x98110741 | ADSERR_CLIENT_INVALIDPARAM | Service contains an invalid parameter. |
| 0x742 | 1858 | 0x98110742 | ADSERR_CLIENT_LISTEMPTY | Polling list is empty. |
| 0x743 | 1859 | 0x98110743 | ADSERR_CLIENT_VARUSED | Var connection already in use. |
| 0x744 | 1860 | 0x98110744 | ADSERR_CLIENT_DUPLINVOKEID | The called ID is already in use. |
| 0x745 | 1861 | 0x98110745 | ADSERR_CLIENT_SYNC TIMEOUT | Timeout has occurred – the remote terminal is not responding in the specified ADS timeout. The route setting of the remote terminal may be configured incorrectly. |
| 0x746 | 1862 | 0x98110746 | ADSERR_CLIENT_W32ERROR | Error in Win32 subsystem. |
| 0x747 | 1863 | 0x98110747 | ADSERR_CLIENT_TIMEOUTINVALID | Invalid client timeout value. |
| 0x748 | 1864 | 0x98110748 | ADSERR_CLIENT_PORTNOTOPEN | Port not open. |
| 0x749 | 1865 | 0x98110749 | ADSERR_CLIENT_NOAMSADDR | No AMS address. |
| 0x750 | 1872 | 0x98110750 | ADSERR_CLIENT_SYNCINTERNAL | Internal error in Ads sync. |
| 0x751 | 1873 | 0x98110751 | ADSERR_CLIENT_ADDHASH | Hash table overflow. |
| 0x752 | 1874 | 0x98110752 | ADSERR_CLIENT_REMOVEHASH | Key not found in the table. |
| 0x753 | 1875 | 0x98110753 | ADSERR_CLIENT_NOMORESVM | No symbols in the cache. |
| 0x754 | 1876 | 0x98110754 | ADSERR_CLIENT_SYNCRESINVALID | Invalid response received. |
| 0x755 | 1877 | 0x98110755 | ADSERR_CLIENT_SYNCPORTLOCKED | Sync Port is locked. |
| 0x756 | 1878 | 0x98110756 | ADSERR_CLIENT_REQUESTCANCELLED | The request was cancelled. |

RTime error codes

| Hex | Dec | HRESULT | Name | Description |
|--------|------|------------|---------------------------|---|
| 0x1000 | 4096 | 0x98111000 | RTERR_INTERNAL | Internal error in the real-time system. |
| 0x1001 | 4097 | 0x98111001 | RTERR_BADTIMERPERIODS | Timer value is not valid. |
| 0x1002 | 4098 | 0x98111002 | RTERR_INVALIDTASKPTR | Task pointer has the invalid value 0 (zero). |
| 0x1003 | 4099 | 0x98111003 | RTERR_INVALIDSTACKPTR | Stack pointer has the invalid value 0 (zero). |
| 0x1004 | 4100 | 0x98111004 | RTERR_PRIOEXISTS | The request task priority is already assigned. |
| 0x1005 | 4101 | 0x98111005 | RTERR_NOMORETCB | No free TCB (Task Control Block) available. The maximum number of TCBs is 64. |
| 0x1006 | 4102 | 0x98111006 | RTERR_NOMORESEMAS | No free semaphores available. The maximum number of semaphores is 64. |
| 0x1007 | 4103 | 0x98111007 | RTERR_NOMOREQUEUES | No free space available in the queue. The maximum number of positions in the queue is 64. |
| 0x100D | 4109 | 0x9811100D | RTERR_EXTIRQALREADYDEF | An external synchronization interrupt is already applied. |
| 0x100E | 4110 | 0x9811100E | RTERR_EXTIRQNOTDEF | No external sync interrupt applied. |
| 0x100F | 4111 | 0x9811100F | RTERR_EXTIRQINSTALLFAILED | Application of the external synchronization interrupt has failed. |
| 0x1010 | 4112 | 0x98111010 | RTERR_IRQNOTLESSOREQUAL | Call of a service function in the wrong context |
| 0x1017 | 4119 | 0x98111017 | RTERR_VMXNOTSUPPORTED | Intel VT-x extension is not supported. |
| 0x1018 | 4120 | 0x98111018 | RTERR_VMXDISABLED | Intel VT-x extension is not enabled in the BIOS. |
| 0x1019 | 4121 | 0x98111019 | RTERR_VMXCONTROLSMISSING | Missing function in Intel VT-x extension. |
| 0x101A | 4122 | 0x9811101A | RTERR_VMXENABLEFAILS | Activation of Intel VT-x fails. |

Specific positive HRESULT Return Codes:

| HRESULT | Name | Description |
|-------------|--------------------|--|
| 0x0000_0000 | S_OK | No error. |
| 0x0000_0001 | S_FALSE | No error. Example: successful processing, but with a negative or incomplete result. |
| 0x0000_0203 | S_PENDING | No error. Example: successful processing, but no result is available yet. |
| 0x0000_0256 | S_WATCHDOG_TIMEOUT | No error. Example: successful processing, but a timeout occurred. |

TCP Winsock error codes

| Hex | Dec | Name | Description |
|--|-------|-----------------|--|
| 0x274C | 10060 | WSAETIMEDOUT | A connection timeout has occurred - error while establishing the connection, because the remote terminal did not respond properly after a certain period of time, or the established connection could not be maintained because the connected host did not respond. |
| 0x274D | 10061 | WSAECONNREFUSED | Connection refused - no connection could be established because the target computer has explicitly rejected it. This error usually results from an attempt to connect to a service that is inactive on the external host, that is, a service for which no server application is running. |
| 0x2751 | 10065 | WSAEHOSTUNREACH | No route to host - a socket operation referred to an unavailable host. |
| More Winsock error codes: Win32 error codes [▶ 59] | | | |

8.3 Win32 Error Codes

The following table provides a list of Win32 error codes.

[0 \[▶ 60\]](#), [100 \[▶ 62\]](#), [200 \[▶ 64\]](#), [1001 \[▶ 66\]](#), [1100 \[▶ 68\]](#), [1200 \[▶ 70\]](#), [1400 \[▶ 75\]](#), [1600 \[▶ 77\]](#), [1800 \[▶ 81\]](#), [2000 \[▶ 83\]](#), [3000 \[▶ 84\]](#), [5000 \[▶ 87\]](#), [6000 \[▶ 90\]](#), [8000 \[▶ 92\]](#), [8500 \[▶ 101\]](#), [9001 \[▶ 105\]](#), [10004 \[▶ 107\]](#), [12000 \[▶ 110\]](#),

| | | Error | | Description |
|---------|-------------|-------------------------------|--|--|
| decimal | Hexadecimal | Name | | |
| 0 | 0x00000000 | ERROR_SUCCESS | | The operation completed successfully. |
| 1 | 0x00000001 | ERROR_INVALID_FUNCTION | | Incorrect function. |
| 2 | 0x00000002 | ERROR_FILE_NOT_FOUND | | The system cannot find the file specified. |
| 3 | 0x00000003 | ERROR_PATH_NOT_FOUND | | The system cannot find the path specified. |
| 4 | 0x00000004 | ERROR_TOO_MANY_OPEN_FILES | | The system cannot open the file. |
| 5 | 0x00000005 | ERROR_ACCESS_DENIED | | Access is denied. |
| 6 | 0x00000006 | ERROR_INVALID_HANDLE | | The handle is invalid. |
| 7 | 0x00000007 | ERROR_ARENA_TRASHED | | The storage control blocks were destroyed. |
| 8 | 0x00000008 | ERROR_NOT_ENOUGH_MEMORY | | Not enough storage is available to process this command. |
| 9 | 0x00000009 | ERROR_INVALID_BLOCK | | The storage control block address is invalid. |
| 10 | 0x0000000A | ERROR_BAD_ENVIRONMENT | | The environment is incorrect. |
| 11 | 0x0000000B | ERROR_BAD_FORMAT | | An attempt was made to load a program with an incorrect format. |
| 12 | 0x0000000C | ERROR_INVALID_ACCESS | | The access code is invalid. |
| 13 | 0x0000000D | ERROR_INVALID_DATA | | The data is invalid. |
| 14 | 0x0000000E | ERROR_OUTOFMEMORY | | Not enough storage is available to complete this operation. |
| 15 | 0x0000000F | ERROR_INVALID_DRIVE | | The system cannot find the drive specified. |
| 16 | 0x00000010 | ERROR_CURRENT_DIRECTORY | | The directory cannot be removed. |
| 17 | 0x00000011 | ERROR_NOT_SAME_DEVICE | | The system cannot move the file to a different disk drive. |
| 18 | 0x00000012 | ERROR_NO_MORE_FILES | | There are no more files. |
| 19 | 0x00000013 | ERROR_WRITE_PROTECT | | The media is write protected. |
| 20 | 0x00000014 | ERROR_BAD_UNIT | | The system cannot find the device specified. |
| 21 | 0x00000015 | ERROR_NOT_READY | | The device is not ready. |
| 22 | 0x00000016 | ERROR_BAD_COMMAND | | The device does not recognize the command. |
| 23 | 0x00000017 | ERROR_CRC | | Data error (cyclic redundancy check). |
| 24 | 0x00000018 | ERROR_BAD_LENGTH | | The program issued a command but the command length is incorrect. |
| 25 | 0x00000019 | ERROR_SEEK | | The drive cannot locate a specific area or track on the disk. |
| 26 | 0x0000001A | ERROR_NOT_DOS_DISK | | The specified disk or diskette cannot be accessed. |
| 27 | 0x0000001B | ERROR_SECTOR_NOT_FOUND | | The drive cannot find the sector requested. |
| 28 | 0x0000001C | ERROR_OUT_OF_PAPER | | The printer is out of paper. |
| 29 | 0x0000001D | ERROR_WRITE_FAULT | | The system cannot write to the specified device. |
| 30 | 0x0000001E | ERROR_READ_FAULT | | The system cannot read from the specified device. |
| 31 | 0x0000001F | ERROR_GEN_FAILURE | | A device attached to the system is not functioning. |
| 32 | 0x00000020 | ERROR_SHARING_VIOLATION | | The process cannot access the file because it is being used by another process. |
| 33 | 0x00000021 | ERROR_LOCK_VIOLATION | | The process cannot access the file because another process has locked a portion of the file. |
| 34 | 0x00000022 | ERROR_WRONG_DISK | | The wrong diskette is in the drive. Insert %2 (Volume Serial Number: %3) into drive %1. |
| 36 | 0x00000024 | ERROR_SHARING_BUFFER_EXCEEDED | | Too many files opened for sharing. |
| 38 | 0x00000026 | ERROR_HANDLE_EOF | | Reached the end of the file. |
| 39 | 0x00000027 | ERROR_HANDLE_DISK_FULL | | The disk is full. |
| 50 | 0x00000032 | ERROR_NOT_SUPPORTED | | The request is not supported. |
| 51 | 0x00000033 | ERROR_REM_NOT_LIST | | The remote computer is not available. |
| 52 | 0x00000034 | ERROR_DUP_NAME | | A duplicate name exists on the network. |
| 53 | 0x00000035 | ERROR_BAD_NETPATH | | The network path was not found. |
| 54 | 0x00000036 | ERROR_NETWORK_BUSY | | The network is busy. |
| 55 | 0x00000037 | ERROR_DEV_NOT_EXIST | | The specified network resource or device is no longer available. |
| 56 | 0x00000038 | ERROR_TOO_MANY_CMDS | | The network BIOS command limit has been reached. |
| 57 | 0x00000039 | ERROR_ADAP_HDW_ERR | | A network adapter hardware error occurred. |

| Error | | | Description |
|---------|-------------|-----------------------------|--|
| decimal | Hexadecimal | Name | |
| 58 | 0x0000003A | ERROR_BAD_NET_RESP | The specified server cannot perform the requested operation. |
| 59 | 0x0000003B | ERROR_UNEXP_NET_ERR | An unexpected network error occurred. |
| 60 | 0x0000003C | ERROR_BAD_REM_ADAP | The remote adapter is not compatible. |
| 61 | 0x0000003D | ERROR_PRINTQ_FULL | The printer queue is full. |
| 62 | 0x0000003E | ERROR_NO_SPOOL_SPACE | Space to store the file waiting to be printed is not available on the server. |
| 63 | 0x0000003F | ERROR_PRINT_CANCELLED | Your file waiting to be printed was deleted. |
| 64 | 0x00000040 | ERROR_NETNAME_DELETED | The specified network name is no longer available. |
| 65 | 0x00000041 | ERROR_NETWORK_ACCESS_DENIED | Network access is denied. |
| 66 | 0x00000042 | ERROR_BAD_DEV_TYPE | The network resource type is not correct. |
| 67 | 0x00000043 | ERROR_BAD_NET_NAME | The network name cannot be found. |
| 68 | 0x00000044 | ERROR_TOO_MANY_NAMES | The name limit for the local computer network adapter card was exceeded. |
| 69 | 0x00000045 | ERROR_TOO_MANY_SESS | The network BIOS session limit was exceeded. |
| 70 | 0x00000046 | ERROR_SHARING_PAUSED | The remote server has been paused or is in the process of being started. |
| 71 | 0x00000047 | ERROR_REQ_NOT_ACCEP | No more connections can be made to this remote computer at this time because there are already as many connections as the computer can accept. |
| 72 | 0x00000048 | ERROR_REDIR_PAUSED | The specified printer or disk device has been paused. |
| 80 | 0x00000050 | ERROR_FILE_EXISTS | The file exists. |
| 82 | 0x00000052 | ERROR_CANNOT_MAKE | The directory or file cannot be created. |
| 83 | 0x00000053 | ERROR_FAIL_I24 | Fail on INT 24. |
| 84 | 0x00000054 | ERROR_OUT_OF_STRUCTURES | Storage to process this request is not available. |
| 85 | 0x00000055 | ERROR_ALREADY_ASSIGNED | The local device name is already in use. |
| 86 | 0x00000056 | ERROR_INVALID_PASSWORD | The specified network password is not correct. |
| 87 | 0x00000057 | ERROR_INVALID_PARAMETER | The parameter is incorrect. |
| 88 | 0x00000058 | ERROR_NET_WRITE_FAULT | A write fault occurred on the network. |
| 89 | 0x00000059 | ERROR_NO_PROC_SLOTS | The system cannot start another process at this time. |

| Error | | | Description |
|---------|-------------|---------------------------------|--|
| decimal | Hexadecimal | Name | |
| 100 | 0x00000064 | ERROR_TOO_MANY_SEMAPHORES | Cannot create another system semaphore. |
| 101 | 0x00000065 | ERROR_EXCL_SEM_ALREADY_OWNED | The exclusive semaphore is owned by another process. |
| 102 | 0x00000066 | ERROR_SEM_IS_SET | The semaphore is set and cannot be closed. |
| 103 | 0x00000067 | ERROR_TOO_MANY_SEM_REQUESTS | The semaphore cannot be set again. |
| 104 | 0x00000068 | ERROR_INVALID_AT_INTERRUPT_TIME | Cannot request exclusive semaphores at interrupt time. |
| 105 | 0x00000069 | ERROR_SEM_OWNER_DIED | The previous ownership of this semaphore has ended. |
| 106 | 0x0000006A | ERROR_SEM_USER_LIMIT | Insert the diskette for drive %1. |
| 107 | 0x0000006B | ERROR_DISK_CHANGE | The program stopped because an alternate diskette was not inserted. |
| 108 | 0x0000006C | ERROR_DRIVE_LOCKED | The disk is in use or locked by another process. |
| 109 | 0x0000006D | ERROR_BROKEN_PIPE | The pipe has been ended. |
| 110 | 0x0000006E | ERROR_OPEN_FAILED | The system cannot open the device or file specified. |
| 111 | 0x0000006F | ERROR_BUFFER_OVERFLOW | The file name is too long. |
| 112 | 0x00000070 | ERROR_DISK_FULL | There is not enough space on the disk. |
| 113 | 0x00000071 | ERROR_NO_MORE_SEARCH_HANDLES | No more internal file identifiers available. |
| 114 | 0x00000072 | ERROR_INVALID_TARGET_HANDLE | The target internal file identifier is incorrect. |
| 117 | 0x00000075 | ERROR_INVALID_CATEGORY | The IOCTL call made by the application program is not correct. |
| 118 | 0x00000076 | ERROR_INVALID_VERIFY_SWITCH | The verify-on-write switch parameter value is not correct. |
| 119 | 0x00000077 | ERROR_BAD_DRIVER_LEVEL | The system does not support the command requested. |
| 120 | 0x00000078 | ERROR_CALL_NOT_IMPLEMENTED | This function is not supported on this system. |
| 121 | 0x00000079 | ERROR_SEM_TIMEOUT | The semaphore timeout period has expired. |
| 122 | 0x0000007A | ERROR_INSUFFICIENT_BUFFER | The data area passed to a system call is too small. |
| 123 | 0x0000007B | ERROR_INVALID_NAME | The filename, directory name, or volume label syntax is incorrect. |
| 124 | 0x0000007C | ERROR_INVALID_LEVEL | The system call level is not correct. |
| 125 | 0x0000007D | ERROR_NO_VOLUME_LABEL | The disk has no volume label. |
| 126 | 0x0000007E | ERROR_MOD_NOT_FOUND | The specified module could not be found. |
| 127 | 0x0000007F | ERROR_PROC_NOT_FOUND | The specified procedure could not be found. |
| 128 | 0x00000080 | ERROR_WAIT_NO_CHILDREN | There are no child processes to wait for. |
| 129 | 0x00000081 | ERROR_CHILD_NOT_COMPLETE | The %1 application cannot be run in Win32 mode. |
| 130 | 0x00000082 | ERROR_DIRECT_ACCESS_HANDLE | Attempt to use a file handle to an open disk partition for an operation other than raw disk I/O. |
| 131 | 0x00000083 | ERROR_NEGATIVE_SEEK | An attempt was made to move the file pointer before the beginning of the file. |
| 132 | 0x00000084 | ERROR_SEEK_ON_DEVICE | The file pointer cannot be set on the specified device or file. |
| 133 | 0x00000085 | ERROR_IS_JOIN_TARGET | A JOIN or SUBST command cannot be used for a drive that contains previously joined drives. |
| 134 | 0x00000086 | ERROR_IS_JOINED | An attempt was made to use a JOIN or SUBST command on a drive that has already been joined. |
| 135 | 0x00000087 | ERROR_IS_SUBSTED | An attempt was made to use a JOIN or SUBST command on a drive that has already been substituted. |
| 136 | 0x00000088 | ERROR_NOT_JOINED | The system tried to delete the JOIN of a drive that is not joined. |
| 137 | 0x00000089 | ERROR_NOT_SUBSTED | The system tried to delete the substitution of a drive that is not substituted. |
| 138 | 0x0000008A | ERROR_JOIN_TO_JOIN | The system tried to join a drive to a directory on a joined drive. |
| 139 | 0x0000008B | ERROR_SUBST_TO_SUBST | The system tried to substitute a drive to a directory on a substituted drive. |
| 140 | 0x0000008C | ERROR_JOIN_TO_SUBST | The system tried to join a drive to a directory on a substituted drive. |
| 141 | 0x0000008D | ERROR_SUBST_TO_JOIN | The system tried to SUBST a drive to a directory on a joined drive. |

| Error | | | Description |
|---------|-------------|----------------------------------|--|
| decimal | Hexadecimal | Name | |
| 142 | 0x0000008E | ERROR_BUSY_DRIVE | The system cannot perform a JOIN or SUBST at this time. |
| 143 | 0x0000008F | ERROR_SAME_DRIVE | The system cannot join or substitute a drive to or for a directory on the same drive. |
| 144 | 0x00000090 | ERROR_DIR_NOT_ROOT | The directory is not a subdirectory of the root directory. |
| 145 | 0x00000091 | ERROR_DIR_NOT_EMPTY | The directory is not empty. |
| 146 | 0x00000092 | ERROR_IS_SUBST_PATH | The path specified is being used in a substitute. |
| 147 | 0x00000093 | ERROR_IS_JOIN_PATH | Not enough resources are available to process this command. |
| 148 | 0x00000094 | ERROR_PATH_BUSY | The path specified cannot be used at this time. |
| 149 | 0x00000095 | ERROR_IS_SUBST_TARGET | An attempt was made to join or substitute a drive for which a directory on the drive is the target of a previous substitute. |
| 150 | 0x00000096 | ERROR_SYSTEM_TRACE | System trace information was not specified in your CONFIG.SYS file, or tracing is disallowed. |
| 151 | 0x00000097 | ERROR_INVALID_EVENT_COUNT | The number of specified semaphore events for DosMuxSemWait is not correct. |
| 152 | 0x00000098 | ERROR_TOO_MANY_MUXWAITERS | DosMuxSemWait did not execute; too many semaphores are already set. |
| 153 | 0x00000099 | ERROR_INVALID_LIST_FORMAT | The DosMuxSemWait list is not correct. |
| 154 | 0x0000009A | ERROR_LABEL_TOO_LONG | The volume label you entered exceeds the label character limit of the target file system. |
| 155 | 0x0000009B | ERROR_TOO_MANY_TCBS | Cannot create another thread. |
| 156 | 0x0000009C | ERROR_SIGNAL_REFUSED | The recipient process has refused the signal. |
| 157 | 0x0000009D | ERROR_DISCARDED | The segment is already discarded and cannot be locked. |
| 158 | 0x0000009E | ERROR_NOT_LOCKED | The segment is already unlocked. |
| 159 | 0x0000009F | ERROR_BAD_THREADID_ADDR | The address for the thread ID is not correct. |
| 160 | 0x000000A0 | ERROR_BAD_ARGUMENTS | The argument string passed to DosExecPgm is not correct. |
| 161 | 0x000000A1 | ERROR_BAD_PATHNAME | The specified path is invalid. |
| 162 | 0x000000A2 | ERROR_SIGNAL_PENDING | A signal is already pending. |
| 164 | 0x000000A4 | ERROR_MAX_THRDS_REACHED | No more threads can be created in the system. |
| 167 | 0x000000A7 | ERROR_LOCK_FAILED | Unable to lock a region of a file. |
| 170 | 0x000000AA | ERROR_BUSY | The requested resource is in use. |
| 173 | 0x000000AD | ERROR_CANCEL_VIOLATION | A lock request was not outstanding for the supplied cancel region. |
| 174 | 0x000000AE | ERROR_ATOMIC_LOCKS_NOT_SUPPORTED | The file system does not support atomic changes to the lock type. |
| 180 | 0x000000B4 | ERROR_INVALID_SEGMENT_NUMBER | The system detected a segment number that was not correct. |
| 182 | 0x000000B6 | ERROR_INVALID_ORDINAL | The operating system cannot run %1. |
| 183 | 0x000000B7 | ERROR_ALREADY_EXISTS | Cannot create a file when that file already exists. |
| 186 | 0x000000BA | ERROR_INVALID_FLAG_NUMBER | The flag passed is not correct. |
| 187 | 0x000000BB | ERROR_SEM_NOT_FOUND | The specified system semaphore name was not found. |
| 188 | 0x000000BC | ERROR_INVALID_STARTING_CODESEG | The operating system cannot run %1. |
| 189 | 0x000000BD | ERROR_INVALID_STACKSEG | The operating system cannot run %1. |
| 190 | 0x000000BE | ERROR_INVALID_MODULETYPE | The operating system cannot run %1. |
| 191 | 0x000000BF | ERROR_INVALID_EXE_SIGNATURE | Cannot run %1 in Win32 mode. |
| 192 | 0x000000C0 | ERROR_EXE_MARKED_INVALID | The operating system cannot run %1. |
| 193 | 0x000000C1 | ERROR_BAD_EXE_FORMAT | %1 is not a valid Win32 application. |
| 194 | 0x000000C2 | ERROR_ITERATED_DATA_EXCEEDS_64k | The operating system cannot run %1. |
| 195 | 0x000000C3 | ERROR_INVALID_MINALLOCSIZE | The operating system cannot run %1. |
| 196 | 0x000000C4 | ERROR_DYNLINK_FROM_INVALID_RING | The operating system cannot run this application program. |
| 197 | 0x000000C5 | ERROR_IOPL_NOT_ENABLED | The operating system is not presently configured to run this application. |
| 198 | 0x000000C6 | ERROR_INVALID_SEGDPL | The operating system cannot run %1. |
| 199 | 0x000000C7 | ERROR_AUTODATASEG_EXCEEDS_64k | The operating system cannot run this application program. |

| | | Error | Description |
|---------|-------------|---------------------------------|---|
| decimal | Hexadecimal | Name | |
| 200 | 0x000000C8 | ERROR_RING2SEG_MUST_BE_MOVABLE | The code segment cannot be greater than or equal to 64K. |
| 201 | 0x000000C9 | ERROR_RELOC_CHAIN_XEEDS_SEGLIM | The operating system cannot run %1. |
| 202 | 0x000000CA | ERROR_INFLOOP_IN_RELOC_CHAIN | The operating system cannot run %1. |
| 203 | 0x000000CB | ERROR_ENVVAR_NOT_FOUND | The system could not find the environment option that was entered. |
| 205 | 0x000000CD | ERROR_NO_SIGNAL_SENT | No process in the command subtree has a signal handler. |
| 206 | 0x000000CE | ERROR_FILENAME_EXCED_RANGE | The filename or extension is too long. |
| 207 | 0x000000CF | ERROR_RING2_STACK_IN_USE | The ring 2 stack is in use. |
| 208 | 0x000000D0 | ERROR_META_EXPANSION_TOO_LONG | The global filename characters, * or ?, are entered incorrectly or too many global filename characters are specified. |
| 209 | 0x000000D1 | ERROR_INVALID_SIGNAL_NUMBER | The signal being posted is not correct. |
| 210 | 0x000000D2 | ERROR_THREAD_1_INACTIVE | The signal handler cannot be set. |
| 212 | 0x000000D4 | ERROR_LOCKED | The segment is locked and cannot be reallocated. |
| 214 | 0x000000D6 | ERROR_TOO_MANY_MODULES | Too many dynamic-link modules are attached to this program or dynamic-link module. |
| 215 | 0x000000D7 | ERROR_NESTING_NOT_ALLOWED | Cannot nest calls to LoadModule. |
| 216 | 0x000000D8 | ERROR_EXE_MACHINE_TYPE_MISMATCH | The image file %1 is valid, but is for a machine type other than the current machine. |
| 230 | 0x000000E6 | ERROR_BAD_PIPE | The pipe state is invalid. |
| 231 | 0x000000E7 | ERROR_PIPE_BUSY | All pipe instances are busy. |
| 232 | 0x000000E8 | ERROR_NO_DATA | The pipe is being closed. |
| 233 | 0x000000E9 | ERROR_PIPE_NOT_CONNECTED | No process is on the other end of the pipe. |
| 234 | 0x000000EA | ERROR_MORE_DATA | More data is available. |
| 240 | 0x000000F0 | ERROR_VC_DISCONNECTED | The session was canceled. |
| 254 | 0x000000FE | ERROR_INVALID_EA_NAME | The specified extended attribute name was invalid. |
| 255 | 0x000000FF | ERROR_EA_LIST_INCONSISTENT | The extended attributes are inconsistent. |
| 258 | 0x00000102 | WAIT_TIMEOUT | The wait operation timed out. |
| 259 | 0x00000103 | ERROR_NO_MORE_ITEMS | No more data is available. |
| 266 | 0x0000010A | ERROR_CANNOT_COPY | The copy functions cannot be used. |
| 267 | 0x0000010B | ERROR_DIRECTORY | The directory name is invalid. |
| 275 | 0x00000113 | ERROR_EAS_DIDNT_FIT | The extended attributes did not fit in the buffer. |
| 276 | 0x00000114 | ERROR_EA_FILE_CORRUPT | The extended attribute file on the mounted file system is corrupt. |
| 277 | 0x00000115 | ERROR_EA_TABLE_FULL | The extended attribute table file is full. |
| 278 | 0x00000116 | ERROR_INVALID_EA_HANDLE | The specified extended attribute handle is invalid. |
| 282 | 0x0000011A | ERROR_EAS_NOT_SUPPORTED | The mounted file system does not support extended attributes. |
| 288 | 0x00000120 | ERROR_NOT_OWNER | Attempt to release mutex not owned by caller. |
| 298 | 0x0000012A | ERROR_TOO_MANY_POSTS | Too many posts were made to a semaphore. |
| 299 | 0x0000012B | ERROR_PARTIAL_COPY | Only part of a ReadProcessMemory or WriteProcessMemory request was completed. |
| 300 | 0x0000012C | ERROR_OPLOCK_NOT_GRANTED | The oplock request is denied. |
| 301 | 0x0000012D | ERROR_INVALID_OPLOCK_PROTOCOL | An invalid oplock acknowledgment was received by the system. |
| 302 | 0x0000012E | ERROR_DISK_TOO_FRAGMENTED | The volume is too fragmented to complete this operation. |
| 303 | 0x0000012F | ERROR_DELETE_PENDING | The file cannot be opened because it is in the process of being deleted. |
| 317 | 0x0000013D | ERROR_MR_MID_NOT_FOUND | The system cannot find message text for message number 0x%1 in the message file for %2. |
| 487 | 0x000001E7 | ERROR_INVALID_ADDRESS | Attempt to access invalid address. |
| 534 | 0x00000216 | ERROR_ARITHMETIC_OVERFLOW | Arithmetic result exceeded 32 bits. |
| 535 | 0x00000217 | ERROR_PIPE_CONNECTED | There is a process on other end of the pipe. |
| 536 | 0x00000218 | ERROR_PIPE_LISTENING | Waiting for a process to open the other end of the pipe. |
| 994 | 0x000003E2 | ERROR_EA_ACCESS_DENIED | Access to the extended attribute was denied. |

| Error | | | Description |
|---------|-------------|-------------------------|---|
| decimal | Hexadecimal | Name | |
| 995 | 0x000003E3 | ERROR_OPERATION_ABORTED | The I/O operation has been aborted because of either a thread exit or an application request. |
| 996 | 0x000003E4 | ERROR_IO_INCOMPLETE | Overlapped I/O event is not in a signaled state. |
| 997 | 0x000003E5 | ERROR_IO_PENDING | Overlapped I/O operation is in progress. |
| 998 | 0x000003E6 | ERROR_NOACCESS | Invalid access to memory location. |
| 999 | 0x000003E7 | ERROR_SWAPERROR | Error performing inpage operation. |

| Error | | | Description |
|---------|-------------|----------------------------------|--|
| decimal | Hexadecimal | Name | |
| 1001 | 0x000003E9 | ERROR_STACK_OVERFLOW | Recursion too deep; the stack overflowed. |
| 1002 | 0x000003EA | ERROR_INVALID_MESSAGE | The window cannot act on the sent message. |
| 1003 | 0x000003EB | ERROR_CAN_NOT_COMPLETE | Cannot complete this function. |
| 1004 | 0x000003EC | ERROR_INVALID_FLAGS | Invalid flags. |
| 1005 | 0x000003ED | ERROR_UNRECOGNIZED_VOLUME | The volume does not contain a recognized file system. Please make sure that all required file system drivers are loaded and that the volume is not corrupted. |
| 1006 | 0x000003EE | ERROR_FILE_INVALID | The volume for a file has been externally altered so that the opened file is no longer valid. |
| 1007 | 0x000003EF | ERROR_FULLSCREEN_MODE | The requested operation cannot be performed in full-screen mode. |
| 1008 | 0x000003F0 | ERROR_NO_TOKEN | An attempt was made to reference a token that does not exist. |
| 1009 | 0x000003F1 | ERROR_BADDB | The configuration registry database is corrupt. |
| 1010 | 0x000003F2 | ERROR_BADKEY | The configuration registry key is invalid. |
| 1011 | 0x000003F3 | ERROR_CANTOPEN | The configuration registry key could not be opened. |
| 1012 | 0x000003F4 | ERROR_CANTREAD | The configuration registry key could not be read. |
| 1013 | 0x000003F5 | ERROR_CANTWRITE | The configuration registry key could not be written. |
| 1014 | 0x000003F6 | ERROR_REGISTRY_RECOVERED | One of the files in the registry database had to be recovered by use of a log or alternate copy. The recovery was successful. |
| 1015 | 0x000003F7 | ERROR_REGISTRY_CORRUPT | The registry is corrupted. The structure of one of the files containing registry data is corrupted, or the system's memory image of the file is corrupted, or the file could not be recovered because the alternate copy or log was absent or corrupted. |
| 1016 | 0x000003F8 | ERROR_REGISTRY_IO_FAILED | An I/O operation initiated by the registry failed unrecoverably. The registry could not read in, or write out, or flush, one of the files that contain the system's image of the registry. |
| 1017 | 0x000003F9 | ERROR_NOT_REGISTRY_FILE | The system has attempted to load or restore a file into the registry, but the specified file is not in a registry file format. |
| 1018 | 0x000003FA | ERROR_KEY_DELETED | Illegal operation attempted on a registry key that has been marked for deletion. |
| 1019 | 0x000003FB | ERROR_NO_LOG_SPACE | System could not allocate the required space in a registry log. |
| 1020 | 0x000003FC | ERROR_KEY_HAS_CHILDREN | Cannot create a symbolic link in a registry key that already has subkeys or values. |
| 1021 | 0x000003FD | ERROR_CHILD_MUST_BE_VOLATILE | Cannot create a stable subkey under a volatile parent key. |
| 1022 | 0x000003FE | ERROR_NOTIFY_ENUM_DIR | A notify change request is being completed and the information is not being returned in the caller's buffer. The caller now needs to enumerate the files to find the changes. |
| 1051 | 0x0000041B | ERROR_DEPENDENT_SERVICES_RUNNING | A stop control has been sent to a service that other running services are dependent on. |
| 1052 | 0x0000041C | ERROR_INVALID_SERVICE_CONTROL | The requested control is not valid for this service. |
| 1053 | 0x0000041D | ERROR_SERVICE_REQUEST_TIMEOUT | The service did not respond to the start or control request in a timely fashion. |
| 1054 | 0x0000041E | ERROR_SERVICE_NO_THREAD | A thread could not be created for the service. |
| 1055 | 0x0000041F | ERROR_SERVICE_DATABASE_LOCKED | The service database is locked. |
| 1056 | 0x00000420 | ERROR_SERVICE_ALREADY_RUNNING | An instance of the service is already running. |
| 1057 | 0x00000421 | ERROR_INVALID_SERVICE_ACCOUNT | The account name is invalid or does not exist, or the password is invalid for the account name specified. |
| 1058 | 0x00000422 | ERROR_SERVICE_DISABLED | The service cannot be started, either because it is disabled or because it has no enabled devices associated with it. |
| 1059 | 0x00000423 | ERROR_CIRCULAR_DEPENDENCY | Circular service dependency was specified. |

| Error | | | Description |
|---------|-------------|---|--|
| decimal | Hexadecimal | Name | |
| 1060 | 0x00000424 | ERROR_SERVICE_DOES_NOT_EXIST | The specified service does not exist as an installed service. |
| 1061 | 0x00000425 | ERROR_SERVICE_CANNOT_ACCEPT_CTRL | The service cannot accept control messages at this time. |
| 1062 | 0x00000426 | ERROR_SERVICE_NOT_ACTIVE | The service has not been started. |
| 1063 | 0x00000427 | ERROR_FAILED_SERVICE_CONTROLLER_CONNECT | The service process could not connect to the service controller. |
| 1064 | 0x00000428 | ERROR_EXCEPTION_IN_SERVICE | An exception occurred in the service when handling the control request. |
| 1065 | 0x00000429 | ERROR_DATABASE_DOES_NOT_EXIST | The database specified does not exist. |
| 1066 | 0x0000042A | ERROR_SERVICE_SPECIFIC_ERROR | The service has returned a service-specific error code. |
| 1067 | 0x0000042B | ERROR_PROCESS_ABORTED | The process terminated unexpectedly. |
| 1068 | 0x0000042C | ERROR_SERVICE_DEPENDENCY_FAIL | The dependency service or group failed to start. |
| 1069 | 0x0000042D | ERROR_SERVICE_LOGON_FAILED | The service did not start due to a logon failure. |
| 1070 | 0x0000042E | ERROR_SERVICE_START_HANG | After starting, the service hung in a start-pending state. |
| 1071 | 0x0000042F | ERROR_INVALID_SERVICE_LOCK | The specified service database lock is invalid. |
| 1072 | 0x00000430 | ERROR_SERVICE_MARKED_FOR_DELETE | The specified service has been marked for deletion. |
| 1073 | 0x00000431 | ERROR_SERVICE_EXISTS | The specified service already exists. |
| 1074 | 0x00000432 | ERROR_ALREADY_RUNNING_LKG | The system is currently running with the last-known-good configuration. |
| 1075 | 0x00000433 | ERROR_SERVICE_DEPENDENCY_DELETED | The dependency service does not exist or has been marked for deletion. |
| 1076 | 0x00000434 | ERROR_BOOT_ALREADY_ACCEPTED | The current boot has already been accepted for use as the last-known-good control set. |
| 1077 | 0x00000435 | ERROR_SERVICE_NEVER_STARTED | No attempts to start the service have been made since the last boot. |
| 1078 | 0x00000436 | ERROR_DUPLICATE_SERVICE_NAME | The name is already in use as either a service name or a service display name. |
| 1079 | 0x00000437 | ERROR_DIFFERENT_SERVICE_ACCOUNT | The account specified for this service is different from the account specified for other services running in the same process. |
| 1080 | 0x00000438 | ERROR_CANNOT_DETECT_DRIVER_FAILURE | Failure actions can only be set for Win32 services, not for drivers. |
| 1081 | 0x00000439 | ERROR_CANNOT_DETECT_PROCESS_ABORT | This service runs in the same process as the service control manager. Therefore, the service control manager cannot take action if this service's process terminates unexpectedly. |
| 1082 | 0x0000043A | ERROR_NO_RECOVERY_PROGRAM | No recovery program has been configured for this service. |
| 1083 | 0x0000043B | ERROR_SERVICE_NOT_IN_EXE | The executable program that this service is configured to run in does not implement the service. |
| 1084 | 0x0000043C | ERROR_NOT_SAFEBOOT_SERVICE | This service cannot be started in Safe Mode. |

| Error | | | Description |
|---------|-------------|--------------------------------|--|
| decimal | Hexadecimal | Name | |
| 1100 | 0x0000044C | ERROR_END_OF_MEDIA | The physical end of the tape has been reached. |
| 1101 | 0x0000044D | ERROR_FILEMARK_DETECTED | A tape access reached a filemark. |
| 1102 | 0x0000044E | ERROR_BEGINNING_OF_MEDIA | The beginning of the tape or a partition was encountered. |
| 1103 | 0x0000044F | ERROR_SETMARK_DETECTED | A tape access reached the end of a set of files. |
| 1104 | 0x00000450 | ERROR_NO_DATA_DETECTED | No more data is on the tape. |
| 1105 | 0x00000451 | ERROR_PARTITION_FAILURE | Tape could not be partitioned. |
| 1106 | 0x00000452 | ERROR_INVALID_BLOCK_LENGTH | When accessing a new tape of a multivolume partition, the current block size is incorrect. |
| 1107 | 0x00000453 | ERROR_DEVICE_NOT_PARTITIONED | Tape partition information could not be found when loading a tape. |
| 1108 | 0x00000454 | ERROR_UNABLE_TO_LOCK_MEDIA | Unable to lock the media eject mechanism. |
| 1109 | 0x00000455 | ERROR_UNABLE_TO_UNLOAD_MEDIA | Unable to unload the media. |
| 1110 | 0x00000456 | ERROR_MEDIA_CHANGED | The media in the drive may have changed. |
| 1111 | 0x00000457 | ERROR_BUS_RESET | The I/O bus was reset. |
| 1112 | 0x00000458 | ERROR_NO_MEDIA_IN_DRIVE | No media in drive. |
| 1113 | 0x00000459 | ERROR_NO_UNICODE_TRANSLATION | No mapping for the Unicode character exists in the target multi-byte code page. |
| 1114 | 0x0000045A | ERROR_DLL_INIT_FAILED | A dynamic link library (DLL) initialization routine failed. |
| 1115 | 0x0000045B | ERROR_SHUTDOWN_IN_PROGRESS | A system shutdown is in progress. |
| 1116 | 0x0000045C | ERROR_NO_SHUTDOWN_IN_PROGRESS | Unable to abort the system shutdown because no shutdown was in progress. |
| 1117 | 0x0000045D | ERROR_IO_DEVICE | The request could not be performed because of an I/O device error. |
| 1118 | 0x0000045E | ERROR_SERIAL_NO_DEVICE | No serial device was successfully initialized. The serial driver will unload. |
| 1119 | 0x0000045F | ERROR_IRQ_BUSY | Unable to open a device that was sharing an interrupt request (IRQ) with other devices. At least one other device that uses that IRQ was already opened. |
| 1120 | 0x00000460 | ERROR_MORE_WRITES | A serial I/O operation was completed by another write to the serial port. (The IOCTL_SERIAL_XOFF_COUNTER reached zero.) |
| 1121 | 0x00000461 | ERROR_COUNTER_TIMEOUT | A serial I/O operation completed because the timeout period expired. (The IOCTL_SERIAL_XOFF_COUNTER did not reach zero.) |
| 1122 | 0x00000462 | ERROR_FLOPPY_ID_MARK_NOT_FOUND | No ID address mark was found on the floppy disk. |
| 1123 | 0x00000463 | ERROR_FLOPPY_WRONG_CYLINDER | Mismatch between the floppy disk sector ID field and the floppy disk controller track address. |
| 1124 | 0x00000464 | ERROR_FLOPPY_UNKNOWN_ERROR | The floppy disk controller reported an error that is not recognized by the floppy disk driver. |
| 1125 | 0x00000465 | ERROR_FLOPPY_BAD_REGISTERS | The floppy disk controller returned inconsistent results in its registers. |
| 1126 | 0x00000466 | ERROR_DISK_RECALIBRATE_FAILED | While accessing the hard disk, a recalibrate operation failed, even after retries. |
| 1127 | 0x00000467 | ERROR_DISK_OPERATION_FAILED | While accessing the hard disk, a disk operation failed even after retries. |
| 1128 | 0x00000468 | ERROR_DISK_RESET_FAILED | While accessing the hard disk, a disk controller reset was needed, but even that failed. |
| 1129 | 0x00000469 | ERROR_EOM_OVERFLOW | Physical end of tape encountered. |
| 1130 | 0x0000046A | ERROR_NOT_ENOUGH_SERVER_MEMORY | Not enough server storage is available to process this command. |
| 1131 | 0x0000046B | ERROR_POSSIBLE_DEADLOCK | A potential deadlock condition has been detected. |
| 1132 | 0x0000046C | ERROR_MAPPED_ALIGNMENT | The base address or the file offset specified does not have the proper alignment. |
| 1140 | 0x00000474 | ERROR_SET_POWER_STATE_VETOED | An attempt to change the system power state was vetoed by another application or driver. |
| 1141 | 0x00000475 | ERROR_SET_POWER_STATE_FAILED | The system BIOS failed an attempt to change the system power state. |
| 1142 | 0x00000476 | ERROR_TOO_MANY_LINKS | An attempt was made to create more links on a file than the file system supports. |

| Error | | | Description |
|---------|-------------|--------------------------------------|---|
| decimal | Hexadecimal | Name | |
| 1150 | 0x0000047E | ERROR_OLD_WIN_VERSION | The specified program requires a newer version of Windows. |
| 1151 | 0x0000047F | ERROR_APP_WRONG_OS | The specified program is not a Windows or MS-DOS program. |
| 1152 | 0x00000480 | ERROR_SINGLE_INSTANCE_APP | Cannot start more than one instance of the specified program. |
| 1153 | 0x00000481 | ERROR_RMODE_APP | The specified program was written for an earlier version of Windows. |
| 1154 | 0x00000482 | ERROR_INVALID_DLL | One of the library files needed to run this application is damaged. |
| 1155 | 0x00000483 | ERROR_NO_ASSOCIATION | No application is associated with the specified file for this operation. |
| 1156 | 0x00000484 | ERROR_DDE_FAIL | An error occurred in sending the command to the application. |
| 1157 | 0x00000485 | ERROR_DLL_NOT_FOUND | One of the library files needed to run this application cannot be found. |
| 1158 | 0x00000486 | ERROR_NO_MORE_USER_HANDLES | The current process has used all of its system allowance of handles for Window Manager objects. |
| 1159 | 0x00000487 | ERROR_MESSAGE_SYNC_ONLY | The message can be used only with synchronous operations. |
| 1160 | 0x00000488 | ERROR_SOURCE_ELEMENT_EMPTY | The indicated source element has no media. |
| 1161 | 0x00000489 | ERROR_DESTINATION_ELEMENT_FULL | The indicated destination element already contains media. |
| 1162 | 0x0000048A | ERROR_ILLEGAL_ELEMENT_ADDRESS | The indicated element does not exist. |
| 1163 | 0x0000048B | ERROR_MAGAZINE_NOT_PRESENT | The indicated element is part of a magazine that is not present. |
| 1164 | 0x0000048C | ERROR_DEVICE_REINITIALIZATION_NEEDED | The indicated device requires reinitialization due to hardware errors. |
| 1165 | 0x0000048D | ERROR_DEVICE_REQUIRES_CLEANING | The device has indicated that cleaning is required before further operations are attempted. |
| 1166 | 0x0000048E | ERROR_DEVICE_DOOR_OPEN | The device has indicated that its door is open. |
| 1167 | 0x0000048F | ERROR_DEVICE_NOT_CONNECTED | The device is not connected. |
| 1168 | 0x00000490 | ERROR_NOT_FOUND | Element not found. |
| 1169 | 0x00000491 | ERROR_NO_MATCH | There was no match for the specified key in the index. |
| 1170 | 0x00000492 | ERROR_SET_NOT_FOUND | The property set specified does not exist on the object. |
| 1171 | 0x00000493 | ERROR_POINT_NOT_FOUND | The point passed to GetMouseMovePointsEx is not in the buffer. |
| 1172 | 0x00000494 | ERROR_NO_TRACKING_SERVICE | The tracking (workstation) service is not running. |
| 1173 | 0x00000495 | ERROR_NO_VOLUME_ID | The Volume ID could not be found. |
| 1175 | 0x00000497 | ERROR_UNABLE_TO_REMOVE_REPLACED | Unable to remove the file to be replaced. |
| 1176 | 0x00000498 | ERROR_UNABLE_TO_MOVE_REPLACEMENT | Unable to move the replacement file to the file to be replaced. The file to be replaced has retained its original name. |
| 1177 | 0x00000499 | ERROR_UNABLE_TO_MOVE_REPLACEMENT_2 | Unable to move the replacement file to the file to be replaced. The file to be replaced has been renamed using the backup name. |
| 1178 | 0x0000049A | ERROR_JOURNAL_DELETE_IN_PROGRESS | The volume change journal is being deleted. |
| 1179 | 0x0000049B | ERROR_JOURNAL_NOT_ACTIVE | The volume change journal is not active. |
| 1180 | 0x0000049C | ERROR_POTENTIAL_FILE_FOUND | A file was found, but it may not be the correct file. |
| 1181 | 0x0000049D | ERROR_JOURNAL_ENTRY_DELETED | The journal entry has been deleted from the journal. |

| Error | | | Description |
|---------|-------------|-------------------------------------|---|
| decimal | Hexadecimal | Name | |
| 1200 | 0x000004B0 | ERROR_BAD_DEVICE | The specified device name is invalid. |
| 1201 | 0x000004B1 | ERROR_CONNECTION_UNAVAIL | The device is not currently connected but it is a remembered connection. |
| 1202 | 0x000004B2 | ERROR_DEVICE_ALREADY_REMEMBERED | The local device name has a remembered connection to another network resource. |
| 1203 | 0x000004B3 | ERROR_NO_NET_OR_BAD_PATH | No network provider accepted the given network path. |
| 1204 | 0x000004B4 | ERROR_BAD_PROVIDER | The specified network provider name is invalid. |
| 1205 | 0x000004B5 | ERROR_CANNOT_OPEN_PROFILE | Unable to open the network connection profile. |
| 1206 | 0x000004B6 | ERROR_BAD_PROFILE | The network connection profile is corrupted. |
| 1207 | 0x000004B7 | ERROR_NOT_CONTAINER | Cannot enumerate a noncontainer. |
| 1208 | 0x000004B8 | ERROR_EXTENDED_ERROR | An extended error has occurred. |
| 1209 | 0x000004B9 | ERROR_INVALID_GROUPNAME | The format of the specified group name is invalid. |
| 1210 | 0x000004BA | ERROR_INVALID_COMPUTERNAME | The format of the specified computer name is invalid. |
| 1211 | 0x000004BB | ERROR_INVALID_EVENTNAME | The format of the specified event name is invalid. |
| 1212 | 0x000004BC | ERROR_INVALID_DOMAINNAME | The format of the specified domain name is invalid. |
| 1213 | 0x000004BD | ERROR_INVALID_SERVICENAME | The format of the specified service name is invalid. |
| 1214 | 0x000004BE | ERROR_INVALID_NETNAME | The format of the specified network name is invalid. |
| 1215 | 0x000004BF | ERROR_INVALID_SHARENAME | The format of the specified share name is invalid. |
| 1216 | 0x000004C0 | ERROR_INVALID_PASSWORDNAME | The format of the specified password is invalid. |
| 1217 | 0x000004C1 | ERROR_INVALID_MESSAGE_NAME | The format of the specified message name is invalid. |
| 1218 | 0x000004C2 | ERROR_INVALID_MESSAGEDEST | The format of the specified message destination is invalid. |
| 1219 | 0x000004C3 | ERROR_SESSION_CREDENTIAL_CONFLICT | The credentials supplied conflict with an existing set of credentials. |
| 1220 | 0x000004C4 | ERROR_REMOTE_SESSION_LIMIT_EXCEEDED | An attempt was made to establish a session to a network server, but there are already too many sessions established to that server. |
| 1221 | 0x000004C5 | ERROR_DUP_DOMAINNAME | The workgroup or domain name is already in use by another computer on the network. |
| 1222 | 0x000004C6 | ERROR_NO_NETWORK | The network is not present or not started. |
| 1223 | 0x000004C7 | ERROR_CANCELLED | The operation was canceled by the user. |
| 1224 | 0x000004C8 | ERROR_USER_MAPPED_FILE | The requested operation cannot be performed on a file with a user-mapped section open. |
| 1225 | 0x000004C9 | ERROR_CONNECTION_REFUSED | The remote system refused the network connection. |
| 1226 | 0x000004CA | ERROR_GRACEFUL_DISCONNECT | The network connection was gracefully closed. |
| 1227 | 0x000004CB | ERROR_ADDRESS_ALREADY_ASSOCIATED | The network transport endpoint already has an address associated with it. |
| 1228 | 0x000004CC | ERROR_ADDRESS_NOT_ASSOCIATED | An address has not yet been associated with the network endpoint. |
| 1229 | 0x000004CD | ERROR_CONNECTION_INVALID | An operation was attempted on a nonexistent network connection. |
| 1230 | 0x000004CE | ERROR_CONNECTION_ACTIVE | An invalid operation was attempted on an active network connection. |
| 1231 | 0x000004CF | ERROR_NETWORK_UNREACHABLE | The network location cannot be reached. For information about network troubleshooting, see Windows Help. |
| 1232 | 0x000004D0 | ERROR_HOST_UNREACHABLE | The network location cannot be reached. For information about network troubleshooting, see Windows Help. |
| 1233 | 0x000004D1 | ERROR_PROTOCOL_UNREACHABLE | The network location cannot be reached. For information about network troubleshooting, see Windows Help. |
| 1234 | 0x000004D2 | ERROR_PORT_UNREACHABLE | No service is operating at the destination network endpoint on the remote system. |
| 1235 | 0x000004D3 | ERROR_REQUEST_ABORTED | The request was aborted. |
| 1236 | 0x000004D4 | ERROR_CONNECTION_ABORTED | The network connection was aborted by the local system. |

| Error | | | Description |
|---------|-------------|-----------------------------------|---|
| decimal | Hexadecimal | Name | |
| 1237 | 0x000004D5 | ERROR_RETRY | The operation could not be completed. A retry should be performed. |
| 1238 | 0x000004D6 | ERROR_CONNECTION_COUNT_LIMIT | A connection to the server could not be made because the limit on the number of concurrent connections for this account has been reached. |
| 1239 | 0x000004D7 | ERROR_LOGIN_TIME_RESTRICTION | Attempting to log in during an unauthorized time of day for this account. |
| 1240 | 0x000004D8 | ERROR_LOGIN_WKSTA_RESTRICTION | The account is not authorized to log in from this station. |
| 1241 | 0x000004D9 | ERROR_INCORRECT_ADDRESS | The network address could not be used for the operation requested. |
| 1242 | 0x000004DA | ERROR_ALREADY_REGISTERED | The service is already registered. |
| 1243 | 0x000004DB | ERROR_SERVICE_NOT_FOUND | The specified service does not exist. |
| 1244 | 0x000004DC | ERROR_NOT_AUTHENTICATED | The operation being requested was not performed because the user has not been authenticated. |
| 1245 | 0x000004DD | ERROR_NOT_LOGGED_ON | The operation being requested was not performed because the user has not logged on to the network. The specified service does not exist. |
| 1246 | 0x000004DE | ERROR_CONTINUE | Continue with work in progress. |
| 1247 | 0x000004DF | ERROR_ALREADY_INITIALIZED | An attempt was made to perform an initialization operation when initialization has already been completed. |
| 1248 | 0x000004E0 | ERROR_NO_MORE_DEVICES | No more local devices. |
| 1249 | 0x000004E1 | ERROR_NO_SUCH_SITE | The specified site does not exist. |
| 1250 | 0x000004E2 | ERROR_DOMAIN_CONTROLLER_EXISTS | A domain controller with the specified name already exists. |
| 1251 | 0x000004E3 | ERROR_ONLY_IF_CONNECTED | This operation is supported only when you are connected to the server. |
| 1252 | 0x000004E4 | ERROR_OVERRIDE_NOCHANGES | The group policy framework should call the extension even if there are no changes. |
| 1253 | 0x000004E5 | ERROR_BAD_USER_PROFILE | The specified user does not have a valid profile. |
| 1254 | 0x000004E6 | ERROR_NOT_SUPPORTED_ON_SBS | This operation is not supported on a Microsoft Small Business Server. |
| 1255 | 0x000004E7 | ERROR_SERVER_SHUTDOWN_IN_PROGRESS | The server machine is shutting down. |
| 1256 | 0x000004E8 | ERROR_HOST_DOWN | The remote system is not available. For information about network troubleshooting, see Windows Help. |
| 1257 | 0x000004E9 | ERROR_NON_ACCOUNT_SID | The security identifier provided is not from an account domain. |
| 1258 | 0x000004EA | ERROR_NON_DOMAIN_SID | The security identifier provided does not have a domain component. |
| 1259 | 0x000004EB | ERROR_APPHELP_BLOCK | AppHelp dialog canceled thus preventing the application from starting. |
| 1260 | 0x000004EC | ERROR_ACCESS_DISABLED_BY_POLICY | Access to the requested resource has been disabled by your administrator. |
| 1261 | 0x000004ED | ERROR_REG_NAT_CONSUMPTION | A program attempt to use an invalid register value. Normally caused by an uninitialized register. This error is Itanium specific. |
| 1262 | 0x000004EE | ERROR_CSCSHARE_OFFLINE | The share is currently offline or does not exist. |
| 1300 | 0x00000514 | ERROR_NOT_ALL_ASSIGNED | Not all privileges referenced are assigned to the caller. |
| 1301 | 0x00000515 | ERROR_SOME_NOT_MAPPED | Some mapping between account names and security IDs was not done. |
| 1302 | 0x00000516 | ERROR_NO_QUOTAS_FOR_ACCOUNT | No system quota limits are specifically set for this account. |
| 1303 | 0x00000517 | ERROR_LOCAL_USER_SESSION_KEY | No encryption key is available. A well-known encryption key was returned. |
| 1304 | 0x00000518 | ERROR_NULL_LM_PASSWORD | The password is too complex to be converted to a LAN Manager password. The LAN Manager password returned is a NULL string. |
| 1305 | 0x00000519 | ERROR_UNKNOWN_REVISION | The revision level is unknown. |
| 1306 | 0x0000051A | ERROR_REVISION_MISMATCH | Indicates two revision levels are incompatible. |
| 1307 | 0x0000051B | ERROR_INVALID_OWNER | This security ID may not be assigned as the owner of this object. |

| Error | | | Description |
|---------|-------------|--------------------------------|--|
| decimal | Hexadecimal | Name | |
| 1308 | 0x0000051C | ERROR_INVALID_PRIMARY_GROUP | This security ID may not be assigned as the primary group of an object. |
| 1309 | 0x0000051D | ERROR_NO_IMPERSONATION_TOKEN | An attempt has been made to operate on an impersonation token by a thread that is not currently impersonating a client. |
| 1310 | 0x0000051E | ERROR_CANT_DISABLE_MANDATORY | The group may not be disabled. |
| 1311 | 0x0000051F | ERROR_NO_LOGON_SERVERS | There are currently no logon servers available to service the logon request. |
| 1312 | 0x00000520 | ERROR_NO_SUCH_LOGON_SESSION | A specified logon session does not exist. It may already have been terminated. |
| 1313 | 0x00000521 | ERROR_NO_SUCH_PRIVILEGE | A specified privilege does not exist. |
| 1314 | 0x00000522 | ERROR_PRIVILEGE_NOT_HELD | A required privilege is not held by the client. |
| 1315 | 0x00000523 | ERROR_INVALID_ACCOUNT_NAME | The name provided is not a properly formed account name. |
| 1316 | 0x00000524 | ERROR_USER_EXISTS | The specified user already exists. |
| 1317 | 0x00000525 | ERROR_NO_SUCH_USER | The specified user does not exist. |
| 1318 | 0x00000526 | ERROR_GROUP_EXISTS | The specified group already exists. |
| 1319 | 0x00000527 | ERROR_NO_SUCH_GROUP | The specified group does not exist. |
| 1320 | 0x00000528 | ERROR_MEMBER_IN_GROUP | Either the specified user account is already a member of the specified group, or the specified group cannot be deleted because it contains a member. |
| 1321 | 0x00000529 | ERROR_MEMBER_NOT_IN_GROUP | The specified user account is not a member of the specified group account. |
| 1322 | 0x0000052A | ERROR_LAST_ADMIN | The last remaining administration account cannot be disabled or deleted. |
| 1323 | 0x0000052B | ERROR_WRONG_PASSWORD | Unable to update the password. The value provided as the current password is incorrect. |
| 1324 | 0x0000052C | ERROR_ILL_FORMED_PASSWORD | Unable to update the password. The value provided for the new password contains values that are not allowed in passwords. |
| 1325 | 0x0000052D | ERROR_PASSWORD_RESTRICTION | Unable to update the password. The value provided for the new password does not meet the length, complexity, or history requirement of the domain. |
| 1326 | 0x0000052E | ERROR_LOGON_FAILURE | Logon failure: unknown user name or bad password. |
| 1327 | 0x0000052F | ERROR_ACCOUNT_RESTRICTION | Logon failure: user account restriction. |
| 1328 | 0x00000530 | ERROR_INVALID_LOGON_HOURS | Logon failure: account logon time restriction violation. |
| 1329 | 0x00000531 | ERROR_INVALID_WORKSTATION | Logon failure: user not allowed to log on to this computer. |
| 1330 | 0x00000532 | ERROR_PASSWORD_EXPIRED | Logon failure: the specified account password has expired. |
| 1331 | 0x00000533 | ERROR_ACCOUNT_DISABLED | Logon failure: account currently disabled. |
| 1332 | 0x00000534 | ERROR_NONE_MAPPED | No mapping between account names and security IDs was done. |
| 1333 | 0x00000535 | ERROR_TOO_MANY_LUIDS_REQUESTED | Too many local user identifiers (LUIDs) were requested at one time. |
| 1334 | 0x00000536 | ERROR_LUIDS_EXHAUSTED | No more local user identifiers (LUIDs) are available. |
| 1335 | 0x00000537 | ERROR_INVALID_SUB_AUTHORITY | The subauthority part of a security ID is invalid for this particular use. |
| 1336 | 0x00000538 | ERROR_INVALID_ACL | The access control list (ACL) structure is invalid. |
| 1337 | 0x00000539 | ERROR_INVALID_SID | The security ID structure is invalid. |
| 1338 | 0x0000053A | ERROR_INVALID_SECURITY_DESCR | The security descriptor structure is invalid. |
| 1340 | 0x0000053C | ERROR_BAD_INHERITANCE_ACL | The inherited access control list (ACL) or access control entry (ACE) could not be built. |
| 1341 | 0x0000053D | ERROR_SERVER_DISABLED | The server is currently disabled. |
| 1342 | 0x0000053E | ERROR_SERVER_NOT_DISABLED | The server is currently enabled. |
| 1343 | 0x0000053F | ERROR_INVALID_ID_AUTHORITY | The value provided was an invalid value for an identifier authority. |
| 1344 | 0x00000540 | ERROR_ALLOTTED_SPACE_EXCEEDED | No more memory is available for security information updates. |

| Error | | | Description |
|---------|-------------|--------------------------------|---|
| decimal | Hexadecimal | Name | |
| 1345 | 0x00000541 | ERROR_INVALID_GROUP_ATTRIBUTES | The specified attributes are invalid, or incompatible with the attributes for the group as a whole. |
| 1346 | 0x00000542 | ERROR_BAD_IMPERSONATION_LEVEL | Either a required impersonation level was not provided, or the provided impersonation level is invalid. |
| 1347 | 0x00000543 | ERROR_CANT_OPEN_ANONYMOUS | Cannot open an anonymous level security token. |
| 1348 | 0x00000544 | ERROR_BAD_VALIDATION_CLASS | The validation information class requested was invalid. |
| 1349 | 0x00000545 | ERROR_BAD_TOKEN_TYPE | The type of the token is inappropriate for its attempted use. |
| 1350 | 0x00000546 | ERROR_NO_SECURITY_ON_OBJECT | Unable to perform a security operation on an object that has no associated security. |
| 1351 | 0x00000547 | ERROR_CANT_ACCESS_DOMAIN_INFO | Configuration information could not be read from the domain controller, either because the machine is unavailable, or access has been denied. |
| 1352 | 0x00000548 | ERROR_INVALID_SERVER_STATE | The security account manager (SAM) or local security authority (LSA) server was in the wrong state to perform the security operation. |
| 1353 | 0x00000549 | ERROR_INVALID_DOMAIN_STATE | The domain was in the wrong state to perform the security operation. |
| 1354 | 0x0000054A | ERROR_INVALID_DOMAIN_ROLE | This operation is only allowed for the Primary Domain Controller of the domain. |
| 1355 | 0x0000054B | ERROR_NO_SUCH_DOMAIN | The specified domain either does not exist or could not be contacted. |
| 1356 | 0x0000054C | ERROR_DOMAIN_EXISTS | The specified domain already exists. |
| 1357 | 0x0000054D | ERROR_DOMAIN_LIMIT_EXCEEDED | An attempt was made to exceed the limit on the number of domains per server. |
| 1358 | 0x0000054E | ERROR_INTERNAL_DB_CORRUPTION | Unable to complete the requested operation because of either a catastrophic media failure or a data structure corruption on the disk. |
| 1359 | 0x0000054F | ERROR_INTERNAL_ERROR | An internal error occurred. |
| 1360 | 0x00000550 | ERROR_GENERIC_NOT_MAPPED | Generic access types were contained in an access mask which should already be mapped to nongeneric types. |
| 1361 | 0x00000551 | ERROR_BAD_DESCRIPTOR_FORMAT | A security descriptor is not in the right format (absolute or self-relative). |
| 1362 | 0x00000552 | ERROR_NOT_LOGON_PROCESS | The requested action is restricted for use by logon processes only. The calling process has not registered as a logon process. |
| 1363 | 0x00000553 | ERROR_LOGON_SESSION_EXISTS | Cannot start a new logon session with an ID that is already in use. |
| 1364 | 0x00000554 | ERROR_NO_SUCH_PACKAGE | A specified authentication package is unknown. |
| 1365 | 0x00000555 | ERROR_BAD_LOGON_SESSION_STATE | The logon session is not in a state that is consistent with the requested operation. |
| 1366 | 0x00000556 | ERROR_LOGON_SESSION_COLLISION | The logon session ID is already in use. |
| 1367 | 0x00000557 | ERROR_INVALID_LOGON_TYPE | A logon request contained an invalid logon type value. |
| 1368 | 0x00000558 | ERROR_CANNOT_IMPERSONATE | Unable to impersonate using a named pipe until data has been read from that pipe. |
| 1369 | 0x00000559 | ERROR_RXACT_INVALID_STATE | The transaction state of a registry subtree is incompatible with the requested operation. |
| 1370 | 0x0000055A | ERROR_RXACT_COMMIT_FAILURE | An internal security database corruption has been encountered. |
| 1371 | 0x0000055B | ERROR_SPECIAL_ACCOUNT | Cannot perform this operation on built-in accounts. |
| 1372 | 0x0000055C | ERROR_SPECIAL_GROUP | Cannot perform this operation on this built-in special group. |
| 1373 | 0x0000055D | ERROR_SPECIAL_USER | Cannot perform this operation on this built-in special user. |
| 1374 | 0x0000055E | ERROR_MEMBERS_PRIMARY_GROUP | The user cannot be removed from a group because the group is currently the user's primary group. |
| 1375 | 0x0000055F | ERROR_TOKEN_ALREADY_IN_USE | The token is already in use as a primary token. |
| 1376 | 0x00000560 | ERROR_NO_SUCH_ALIAS | The specified local group does not exist. |

| Error | | | Description |
|---------|-------------|------------------------------------|---|
| decimal | Hexadecimal | Name | |
| 1377 | 0x00000561 | ERROR_MEMBER_NOT_IN_ALIAS | The specified account name is not a member of the local group. |
| 1378 | 0x00000562 | ERROR_MEMBER_IN_ALIAS | The specified account name is already a member of the local group. |
| 1379 | 0x00000563 | ERROR_ALIAS_EXISTS | The specified local group already exists. |
| 1380 | 0x00000564 | ERROR_LOGON_NOT_GRANTED | Logon failure: the user has not been granted the requested logon type at this computer. |
| 1381 | 0x00000565 | ERROR_TOO_MANY_SECRETS | The maximum number of secrets that may be stored in a single system has been exceeded. |
| 1382 | 0x00000566 | ERROR_SECRET_TOO_LONG | The length of a secret exceeds the maximum length allowed. |
| 1383 | 0x00000567 | ERROR_INTERNAL_DB_ERROR | The local security authority database contains an internal inconsistency. |
| 1384 | 0x00000568 | ERROR_TOO_MANY_CONTEXT_IDS | During a logon attempt, the user's security context accumulated too many security IDs. |
| 1385 | 0x00000569 | ERROR_LOGON_TYPE_NOT_GRANTED | Logon failure: the user has not been granted the requested logon type at this computer. |
| 1386 | 0x0000056A | ERROR_NT_CROSS_ENCRYPTION_REQUIRED | A cross-encrypted password is necessary to change a user password. |
| 1387 | 0x0000056B | ERROR_NO_SUCH_MEMBER | A new member could not be added to or removed from the local group because the member does not exist. |
| 1388 | 0x0000056C | ERROR_INVALID_MEMBER | A new member could not be added to a local group because the member has the wrong account type. |
| 1389 | 0x0000056D | ERROR_TOO_MANY_SIDS | Too many security IDs have been specified. |
| 1390 | 0x0000056E | ERROR_LM_CROSS_ENCRYPTION_REQUIRED | A cross-encrypted password is necessary to change this user password. |
| 1391 | 0x0000056F | ERROR_NO_INHERITANCE | Indicates an ACL contains no inheritable components. |
| 1392 | 0x00000570 | ERROR_FILE_CORRUPT | The file or directory is corrupted and unreadable. |
| 1393 | 0x00000571 | ERROR_DISK_CORRUPT | The disk structure is corrupted and unreadable. |
| 1394 | 0x00000572 | ERROR_NO_USER_SESSION_KEY | There is no user session key for the specified logon session. |
| 1395 | 0x00000573 | ERROR_LICENSE_QUOTA_EXCEEDED | The service being accessed is licensed for a particular number of connections. No more connections can be made to the service at this time because there are already as many connections as the service can accept. |
| 1396 | 0x00000574 | ERROR_WRONG_TARGET_NAME | Logon Failure: The target account name is incorrect. |
| 1397 | 0x00000575 | ERROR_MUTUAL_AUTH_FAILED | Mutual Authentication failed. The server's password is out of date at the domain controller. |
| 1398 | 0x00000576 | ERROR_TIME_SKEW | There is a time difference between the client and server. |
| 1399 | 0x00000577 | ERROR_CURRENT_DOMAIN_NOT_ALLOWED | This operation can not be performed on the current domain. |

| | | Error | Description |
|---------|-------------|--------------------------------------|--|
| decimal | Hexadecimal | Name | |
| 1400 | 0x00000578 | ERROR_INVALID_WINDOW_HANDLE | Invalid window handle. |
| 1401 | 0x00000579 | ERROR_INVALID_MENU_HANDLE | Invalid menu handle. |
| 1402 | 0x0000057A | ERROR_INVALID_CURSOR_HANDLE | Invalid cursor handle. |
| 1403 | 0x0000057B | ERROR_INVALID_ACCEL_HANDLE | Invalid accelerator table handle. |
| 1404 | 0x0000057C | ERROR_INVALID_HOOK_HANDLE | Invalid hook handle. |
| 1405 | 0x0000057D | ERROR_INVALID_DWP_HANDLE | Invalid handle to a multiple-window position structure. |
| 1406 | 0x0000057E | ERROR_TLW_WITH_WSCHILD | Cannot create a top-level child window. |
| 1407 | 0x0000057F | ERROR_CANNOT_FIND_WND_CLASS | Cannot find window class. |
| 1408 | 0x00000580 | ERROR_WINDOW_OF_OTHER_THREAD | Invalid window; it belongs to other thread. |
| 1409 | 0x00000581 | ERROR_HOTKEY_ALREADY_REGISTERED | Hot key is already registered. |
| 1410 | 0x00000582 | ERROR_CLASS_ALREADY_EXISTS | Class already exists. |
| 1411 | 0x00000583 | ERROR_CLASS_DOES_NOT_EXIST | Class does not exist. |
| 1412 | 0x00000584 | ERROR_CLASS_HAS_WINDOWS | Class still has open windows. |
| 1413 | 0x00000585 | ERROR_INVALID_INDEX | Invalid index. |
| 1414 | 0x00000586 | ERROR_INVALID_ICON_HANDLE | Invalid icon handle. |
| 1415 | 0x00000587 | ERROR_PRIVATE_DIALOG_INDEX | Using private DIALOG window words. |
| 1416 | 0x00000588 | ERROR_LISTBOX_ID_NOT_FOUND | The list box identifier was not found. |
| 1417 | 0x00000589 | ERROR_NO_WILDCARD_CHARACTERS | No wildcards were found. |
| 1418 | 0x0000058A | ERROR_CLIPBOARD_NOT_OPEN | Thread does not have a clipboard open. |
| 1419 | 0x0000058B | ERROR_HOTKEY_NOT_REGISTERED | Hot key is not registered. |
| 1420 | 0x0000058C | ERROR_WINDOW_NOT_DIALOG | The window is not a valid dialog window. |
| 1421 | 0x0000058D | ERROR_CONTROL_ID_NOT_FOUND | Control ID not found. |
| 1422 | 0x0000058E | ERROR_INVALID_COMBOBOX_MESSAGE | Invalid message for a combo box because it does not have an edit control. |
| 1423 | 0x0000058F | ERROR_WINDOW_NOT_COMBOBOX | The window is not a combo box. |
| 1424 | 0x00000590 | ERROR_INVALID_EDIT_HEIGHT | Height must be less than 256. |
| 1425 | 0x00000591 | ERROR_DC_NOT_FOUND | Invalid device context (DC) handle. |
| 1426 | 0x00000592 | ERROR_INVALID_HOOK_FILTER | Invalid hook procedure type. |
| 1427 | 0x00000593 | ERROR_INVALID_FILTER_PROC | Invalid hook procedure. |
| 1428 | 0x00000594 | ERROR_HOOK_NEEDS_HMOD | Cannot set nonlocal hook without a module handle. |
| 1429 | 0x00000595 | ERROR_GLOBAL_ONLY_HOOK | This hook procedure can only be set globally. |
| 1430 | 0x00000596 | ERROR_JOURNAL_HOOK_SET | The journal hook procedure is already installed. |
| 1431 | 0x00000597 | ERROR_HOOK_NOT_INSTALLED | The hook procedure is not installed. |
| 1432 | 0x00000598 | ERROR_INVALID_LB_MESSAGE | Invalid message for single-selection list box. |
| 1433 | 0x00000599 | ERROR_SETCOUNT_ON_BAD_LB | LB_SETCOUNT sent to non-lazy list box. |
| 1434 | 0x0000059A | ERROR_LB_WITHOUT_TABSTOPS | This list box does not support tab stops. |
| 1435 | 0x0000059B | ERROR_DESTROY_OBJECT_OF_OTHER_THREAD | Cannot destroy object created by another thread. |
| 1436 | 0x0000059C | ERROR_CHILD_WINDOW_MENU | Child windows cannot have menus. |
| 1437 | 0x0000059D | ERROR_NO_SYSTEM_MENU | The window does not have a system menu. |
| 1438 | 0x0000059E | ERROR_INVALID_MSGBOX_STYLE | Invalid message box style. |
| 1439 | 0x0000059F | ERROR_INVALID_SPI_VALUE | Invalid system-wide (SPI_*) parameter. |
| 1440 | 0x000005A0 | ERROR_SCREEN_ALREADY_LOCKED | Screen already locked. |
| 1441 | 0x000005A1 | ERROR_HWNDS_HAVE_DIFF_PARENT | All handles to windows in a multiple-window position structure must have the same parent. |
| 1442 | 0x000005A2 | ERROR_NOT_CHILD_WINDOW | The window is not a child window. |
| 1443 | 0x000005A3 | ERROR_INVALID_GW_COMMAND | Invalid GW_* command. |
| 1444 | 0x000005A4 | ERROR_INVALID_THREAD_ID | Invalid thread identifier. |
| 1445 | 0x000005A5 | ERROR_NON_MDICHILD_WINDOW | Cannot process a message from a window that is not a multiple document interface (MDI) window. |
| 1446 | 0x000005A6 | ERROR_POPUP_ALREADY_ACTIVE | Popup menu already active. |
| 1447 | 0x000005A7 | ERROR_NO_SCROLLBARS | The window does not have scroll bars. |
| 1448 | 0x000005A8 | ERROR_INVALID_SCROLLBAR_RANGE | Scroll bar range cannot be greater than MAXLONG. |
| 1449 | 0x000005A9 | ERROR_INVALID_SHOWWIN_COMMAND | Cannot show or remove the window in the way specified. |

| Error | | | Description |
|---------|-------------|--|--|
| decimal | Hexadecimal | Name | |
| 1450 | 0x000005AA | ERROR_NO_SYSTEM_RESOURCES | Insufficient system resources exist to complete the requested service. |
| 1451 | 0x000005AB | ERROR_NONPAGED_SYSTEM_RESOURCES | Insufficient system resources exist to complete the requested service. |
| 1452 | 0x000005AC | ERROR_PAGED_SYSTEM_RESOURCES | Insufficient system resources exist to complete the requested service. |
| 1453 | 0x000005AD | ERROR_WORKING_SET_QUOTA | Insufficient quota to complete the requested service. |
| 1454 | 0x000005AE | ERROR_PAGEFILE_QUOTA | Insufficient quota to complete the requested service. |
| 1455 | 0x000005AF | ERROR_COMMITMENT_LIMIT | The paging file is too small for this operation to complete. |
| 1456 | 0x000005B0 | ERROR_MENU_ITEM_NOT_FOUND | A menu item was not found. |
| 1457 | 0x000005B1 | ERROR_INVALID_KEYBOARD_HANDLE | Invalid keyboard layout handle. |
| 1458 | 0x000005B2 | ERROR_HOOK_TYPE_NOT_ALLOWED | Hook type not allowed. |
| 1459 | 0x000005B3 | ERROR_REQUIRES_INTERACTIVE_WINDOWSTATION | This operation requires an interactive window station. |
| 1460 | 0x000005B4 | ERROR_TIMEOUT | This operation returned because the timeout period expired. |
| 1461 | 0x000005B5 | ERROR_INVALID_MONITOR_HANDLE | Invalid monitor handle. |
| 1500 | 0x000005DC | ERROR_EVENTLOG_FILE_CORRUPT | The event log file is corrupted. |
| 1501 | 0x000005DD | ERROR_EVENTLOG_CANT_START | No event log file could be opened, so the event logging service did not start. |
| 1502 | 0x000005DE | ERROR_LOG_FILE_FULL | The event log file is full. |
| 1503 | 0x000005DF | ERROR_EVENTLOG_FILE_CHANGED | The event log file has changed between read operations. |

| Error | | | Description |
|---------|-------------|------------------------------------|---|
| decimal | Hexadecimal | Name | |
| 1601 | 0x00000641 | ERROR_INSTALL_SERVICE_FAILURE | The Windows Installer service could not be accessed. Contact your support personnel to verify that the Windows Installer service is properly registered. |
| 1602 | 0x00000642 | ERROR_INSTALL_USEREXIT | User cancelled installation. |
| 1603 | 0x00000643 | ERROR_INSTALL_FAILURE | Fatal error during installation. |
| 1604 | 0x00000644 | ERROR_INSTALL_SUSPEND | Installation suspended, incomplete. |
| 1605 | 0x00000645 | ERROR_UNKNOWN_PRODUCT | This action is only valid for products that are currently installed. |
| 1606 | 0x00000646 | ERROR_UNKNOWN_FEATURE | Feature ID not registered. |
| 1607 | 0x00000647 | ERROR_UNKNOWN_COMPONENT | Component ID not registered. |
| 1608 | 0x00000648 | ERROR_UNKNOWN_PROPERTY | Unknown property. |
| 1609 | 0x00000649 | ERROR_INVALID_HANDLE_STATE | Handle is in an invalid state. |
| 1610 | 0x0000064A | ERROR_BAD_CONFIGURATION | The configuration data for this product is corrupt. Contact your support personnel. |
| 1611 | 0x0000064B | ERROR_INDEX_ABSENT | Component qualifier not present. |
| 1612 | 0x0000064C | ERROR_INSTALL_SOURCE_ABSENT | The installation source for this product is not available. Verify that the source exists and that you can access it. |
| 1613 | 0x0000064D | ERROR_INSTALL_PACKAGE_VERSION | This installation package cannot be installed by the Windows Installer service. You must install a Windows service pack that contains a newer version of the Windows Installer service. |
| 1614 | 0x0000064E | ERROR_PRODUCT_UNINSTALLED | Product is uninstalled. |
| 1615 | 0x0000064F | ERROR_BAD_QUERY_SYNTAX | SQL query syntax invalid or unsupported. |
| 1616 | 0x00000650 | ERROR_INVALID_FIELD | Record field does not exist. |
| 1617 | 0x00000651 | ERROR_DEVICE_REMOVED | The device has been removed. |
| 1618 | 0x00000652 | ERROR_INSTALL_ALREADY_RUNNING | Another installation is already in progress. Complete that installation before proceeding with this install. |
| 1619 | 0x00000653 | ERROR_INSTALL_PACKAGE_OPEN_FAILED | This installation package could not be opened. Verify that the package exists and that you can access it, or contact the application vendor to verify that this is a valid Windows Installer package. |
| 1620 | 0x00000654 | ERROR_INSTALL_PACKAGE_INVALID | This installation package could not be opened. Contact the application vendor to verify that this is a valid Windows Installer package. |
| 1621 | 0x00000655 | ERROR_INSTALL_UI_FAILURE | There was an error starting the Windows Installer service user interface. Contact your support personnel. |
| 1622 | 0x00000656 | ERROR_INSTALL_LOG_FAILURE | Error opening installation log file. Verify that the specified log file location exists and that you can write to it. |
| 1623 | 0x00000657 | ERROR_INSTALL_LANGUAGE_UNSUPPORTED | The language of this installation package is not supported by your system. |
| 1624 | 0x00000658 | ERROR_INSTALL_TRANSFORM_FAILURE | Error applying transforms. Verify that the specified transform paths are valid. |
| 1625 | 0x00000659 | ERROR_INSTALL_PACKAGE_REJECTED | This installation is forbidden by system policy. Contact your system administrator. |
| 1626 | 0x0000065A | ERROR_FUNCTION_NOT_CALLED | Function could not be executed. |
| 1627 | 0x0000065B | ERROR_FUNCTION_FAILED | Function failed during execution. |
| 1628 | 0x0000065C | ERROR_INVALID_TABLE | Invalid or unknown table specified. |
| 1629 | 0x0000065D | ERROR_DATATYPE_MISMATCH | Data supplied is of wrong type. |
| 1630 | 0x0000065E | ERROR_UNSUPPORTED_TYPE | Data of this type is not supported. |
| 1631 | 0x0000065F | ERROR_CREATE_FAILED | The Windows Installer service failed to start. Contact your support personnel. |
| 1632 | 0x00000660 | ERROR_INSTALL_TEMP_UNWRITABLE | The temp folder is either full or inaccessible. Verify that the temp folder exists and that you can write to it. |
| 1633 | 0x00000661 | ERROR_INSTALL_PLATFORM_UNSUPPORTED | This installation package is not supported by this processor type. Contact your product vendor. |
| 1634 | 0x00000662 | ERROR_INSTALL_NOTUSED | Component not used on this computer. |

| | | Error | Description |
|---------|-------------|----------------------------------|---|
| decimal | Hexadecimal | Name | |
| 1635 | 0x00000663 | ERROR_PATCH_PACKAGE_OPEN_FAILED | This patch package could not be opened. Verify that the patch package exists and that you can access it, or contact the application vendor to verify that this is a valid Windows Installer patch package. |
| 1636 | 0x00000664 | ERROR_PATCH_PACKAGE_INVALID | This patch package could not be opened. Contact the application vendor to verify that this is a valid Windows Installer patch package. |
| 1637 | 0x00000665 | ERROR_PATCH_PACKAGE_UNSUPPORTED. | This patch package cannot be processed by the Windows Installer service. You must install a Windows service pack that contains a newer version of the Windows Installer service. |
| 1638 | 0x00000666 | ERROR_PRODUCT_VERSION | Another version of this product is already installed. Installation of this version cannot continue. To configure or remove the existing version of this product, use Add/Remove Programs on the Control Panel. |
| 1639 | 0x00000667 | ERROR_INVALID_COMMAND_LINE | Invalid command line argument. Consult the Windows Installer SDK for detailed command line help. |
| 1640 | 0x00000668 | ERROR_INSTALL_REMOTE_DISALLOWED | Only administrators have permission to add, remove, or configure server software during a Terminal Services remote session. If you want to install or configure software on the server, contact your network administrator. |
| 1641 | 0x00000669 | ERROR_SUCCESS_REBOOT_INITIATED | The requested operation completed successfully. The system will be restarted so the changes can take effect. |
| 1642 | 0x0000066A | ERROR_PATCH_TARGET_NOT_FOUND | The upgrade patch cannot be installed by the Windows Installer service because the program to be upgraded may be missing, or the upgrade patch may update a different version of the program. Verify that the program to be upgraded exists on your computer and that you have the correct upgrade patch. |
| 1643 | 0x0000066B | ERROR_PATCH_PACKAGE_REJECTED | The patch package is not permitted by system policy. It is not signed with an appropriate certificate. |
| 1644 | 0x0000066C | ERROR_INSTALL_TRANSFORM_REJECTED | One or more customizations are not permitted by system policy. They are not signed with an appropriate certificate. |
| 1700 | 0x000006A4 | RPC_S_INVALID_STRING_BINDING | The string binding is invalid. |
| 1701 | 0x000006A5 | RPC_S_WRONG_KIND_OF_BINDING | The binding handle is not the correct type. |
| 1702 | 0x000006A6 | RPC_S_INVALID_BINDING | The binding handle is invalid. |
| 1703 | 0x000006A7 | RPC_S_PROTSEQ_NOT_SUPPORTED | The RPC protocol sequence is not supported. |
| 1704 | 0x000006A8 | RPC_S_INVALID_RPC_PROTSEQ | The RPC protocol sequence is invalid. |
| 1705 | 0x000006A9 | RPC_S_INVALID_STRING_UUID | The string universal unique identifier (UUID) is invalid. |
| 1706 | 0x000006AA | RPC_S_INVALID_ENDPOINT_FORMAT | The endpoint format is invalid. |
| 1707 | 0x000006AB | RPC_S_INVALID_NET_ADDR | The network address is invalid. |
| 1708 | 0x000006AC | RPC_S_NO_ENDPOINT_FOUND | No endpoint was found. |
| 1709 | 0x000006AD | RPC_S_INVALID_TIMEOUT | The timeout value is invalid. |
| 1710 | 0x000006AE | RPC_S_OBJECT_NOT_FOUND | The object universal unique identifier (UUID) was not found. |
| 1711 | 0x000006AF | RPC_S_ALREADY_REGISTERED | The object universal unique identifier (UUID) has already been registered. |
| 1712 | 0x000006B0 | RPC_S_TYPE_ALREADY_REGISTERED | The type universal unique identifier (UUID) has already been registered. |
| 1713 | 0x000006B1 | RPC_S_ALREADY_LISTENING | The RPC server is already listening. |
| 1714 | 0x000006B2 | RPC_S_NO_PROTSEQS_REGISTERED | No protocol sequences have been registered. |
| 1715 | 0x000006B3 | RPC_S_NOT_LISTENING | The RPC server is not listening. |
| 1716 | 0x000006B4 | RPC_S_UNKNOWN_MGR_TYPE | The manager type is unknown. |
| 1717 | 0x000006B5 | RPC_S_UNKNOWN_IF | The interface is unknown. |
| 1718 | 0x000006B6 | RPC_S_NO_BINDINGS | There are no bindings. |
| 1719 | 0x000006B7 | RPC_S_NO_PROTSEQS | There are no protocol sequences. |
| 1720 | 0x000006B8 | RPC_S_CANT_CREATE_ENDPOINT | The endpoint cannot be created. |

| Error | | | Description |
|---------|-------------|--------------------------------|---|
| decimal | Hexadecimal | Name | |
| 1721 | 0x000006B9 | RPC_S_OUT_OF_RESOURCES | Not enough resources are available to complete this operation. |
| 1722 | 0x000006BA | RPC_S_SERVER_UNAVAILABLE | The RPC server is unavailable. |
| 1723 | 0x000006BB | RPC_S_SERVER_TOO_BUSY | The RPC server is too busy to complete this operation. |
| 1724 | 0x000006BC | RPC_S_INVALID_NETWORK_OPTIONS | The network options are invalid. |
| 1725 | 0x000006BD | RPC_S_NO_CALL_ACTIVE | There are no remote procedure calls active on this thread. |
| 1726 | 0x000006BE | RPC_S_CALL_FAILED | The remote procedure call failed. |
| 1727 | 0x000006BF | RPC_S_CALL_FAILED_DNE | The remote procedure call failed and did not execute. |
| 1728 | 0x000006C0 | RPC_S_PROTOCOL_ERROR | A remote procedure call (RPC) protocol error occurred. |
| 1730 | 0x000006C2 | RPC_S_UNSUPPORTED_TRANS_SYN | The transfer syntax is not supported by the RPC server. |
| 1732 | 0x000006C4 | RPC_S_UNSUPPORTED_TYPE | The universal unique identifier (UUID) type is not supported. |
| 1733 | 0x000006C5 | RPC_S_INVALID_TAG | The tag is invalid. |
| 1734 | 0x000006C6 | RPC_S_INVALID_BOUND | The array bounds are invalid. |
| 1735 | 0x000006C7 | RPC_S_NO_ENTRY_NAME | The binding does not contain an entry name. |
| 1736 | 0x000006C8 | RPC_S_INVALID_NAME_SYNTAX | The name syntax is invalid. |
| 1737 | 0x000006C9 | RPC_S_UNSUPPORTED_NAME_SYNTAX | The name syntax is not supported. |
| 1739 | 0x000006CB | RPC_S_UUID_NO_ADDRESS | No network address is available to use to construct a universal unique identifier (UUID). |
| 1740 | 0x000006CC | RPC_S_DUPLICATE_ENDPOINT | The endpoint is a duplicate. |
| 1741 | 0x000006CD | RPC_S_UNKNOWN_AUTHN_TYPE | The authentication type is unknown. |
| 1742 | 0x000006CE | RPC_S_MAX_CALLS_TOO_SMALL | The maximum number of calls is too small. |
| 1743 | 0x000006CF | RPC_S_STRING_TOO_LONG | The string is too long. |
| 1744 | 0x000006D0 | RPC_S_PROTSEQ_NOT_FOUND | The RPC protocol sequence was not found. |
| 1745 | 0x000006D1 | RPC_S_PROCNUM_OUT_OF_RANGE | The procedure number is out of range. |
| 1746 | 0x000006D2 | RPC_S_BINDING_HAS_NO_AUTH | The binding does not contain any authentication information. |
| 1747 | 0x000006D3 | RPC_S_UNKNOWN_AUTHN_SERVICE | The authentication service is unknown. |
| 1748 | 0x000006D4 | RPC_S_UNKNOWN_AUTHN_LEVEL | The authentication level is unknown. |
| 1749 | 0x000006D5 | RPC_S_INVALID_AUTH_IDENTITY | The security context is invalid. |
| 1750 | 0x000006D6 | RPC_S_UNKNOWN_AUTHZ_SERVICE | The authorization service is unknown. |
| 1751 | 0x000006D7 | EPT_S_INVALID_ENTRY | The entry is invalid. |
| 1752 | 0x000006D8 | EPT_S_CANT_PERFORM_OP | The server endpoint cannot perform the operation. |
| 1753 | 0x000006D9 | EPT_S_NOT_REGISTERED | There are no more endpoints available from the endpoint mapper. |
| 1754 | 0x000006DA | RPC_S_NOTHING_TO_EXPORT | No interfaces have been exported. |
| 1755 | 0x000006DB | RPC_S_INCOMPLETE_NAME | The entry name is incomplete. |
| 1756 | 0x000006DC | RPC_S_INVALID_VERS_OPTION | The version option is invalid. |
| 1757 | 0x000006DD | RPC_S_NO_MORE_MEMBERS | There are no more members. |
| 1758 | 0x000006DE | RPC_S_NOT_ALL_OBJS_UNEXPORTED | There is nothing to unexport. |
| 1759 | 0x000006DF | RPC_S_INTERFACE_NOT_FOUND | The interface was not found. |
| 1760 | 0x000006E0 | RPC_S_ENTRY_ALREADY_EXISTS | The entry already exists. |
| 1761 | 0x000006E1 | RPC_S_ENTRY_NOT_FOUND | The entry is not found. |
| 1762 | 0x000006E2 | RPC_S_NAME_SERVICE_UNAVAILABLE | The name service is unavailable. |
| 1763 | 0x000006E3 | RPC_S_INVALID_NAF_ID | The network address family is invalid. |
| 1764 | 0x000006E4 | RPC_S_CANNOT_SUPPORT | The requested operation is not supported. |
| 1765 | 0x000006E5 | RPC_S_NO_CONTEXT_AVAILABLE | No security context is available to allow impersonation. |
| 1766 | 0x000006E6 | RPC_S_INTERNAL_ERROR | An internal error occurred in a remote procedure call (RPC). |
| 1767 | 0x000006E7 | RPC_S_ZERO_DIVIDE | The RPC server attempted an integer division by zero. |
| 1768 | 0x000006E8 | RPC_S_ADDRESS_ERROR | An addressing error occurred in the RPC server. |
| 1769 | 0x000006E9 | RPC_S_FP_DIV_ZERO | A floating-point operation at the RPC server caused a division by zero. |

| Error | | | Description |
|---------|-------------|--|---|
| decimal | Hexadecimal | Name | |
| 1770 | 0x000006EA | RPC_S_FP_UNDERFLOW | A floating-point underflow occurred at the RPC server. |
| 1771 | 0x000006EB | RPC_S_FP_OVERFLOW | A floating-point overflow occurred at the RPC server. |
| 1772 | 0x000006EC | RPC_X_NO_MORE_ENTRIES | The list of RPC servers available for the binding of auto handles has been exhausted. |
| 1773 | 0x000006ED | RPC_X_SS_CHAR_TRANS_OPEN_FAIL | Unable to open the character translation table file. |
| 1774 | 0x000006EE | RPC_X_SS_CHAR_TRANS_SHORT_FILE | The file containing the character translation table has fewer than 512 bytes. |
| 1775 | 0x000006EF | RPC_X_SS_IN_NULL_CONTEXT | A null context handle was passed from the client to the host during a remote procedure call. |
| 1777 | 0x000006F1 | RPC_X_SS_CONTEXT_DAMAGED | The context handle changed during a remote procedure call. |
| 1778 | 0x000006F2 | RPC_X_SS_HANDLES_MISMATCH | The binding handles passed to a remote procedure call do not match. |
| 1779 | 0x000006F3 | RPC_X_SS_CANNOT_GET_CALL_HANDLE | The stub is unable to get the remote procedure call handle. |
| 1780 | 0x000006F4 | RPC_X_NULL_REF_POINTER | A null reference pointer was passed to the stub. |
| 1781 | 0x000006F5 | RPC_X_ENUM_VALUE_OUT_OF_RANGE | The enumeration value is out of range. |
| 1782 | 0x000006F6 | RPC_X_BYTE_COUNT_TOO_SMALL | The byte count is too small. |
| 1783 | 0x000006F7 | RPC_X_BAD_STUB_DATA | The stub received bad data. |
| 1784 | 0x000006F8 | ERROR_INVALID_USER_BUFFER | The supplied user buffer is not valid for the requested operation. |
| 1785 | 0x000006F9 | ERROR_UNRECOGNIZED_MEDIA | The disk media is not recognized. It may not be formatted. |
| 1786 | 0x000006FA | ERROR_NO_TRUST_LSA_SECRET | The workstation does not have a trust secret. |
| 1787 | 0x000006FB | ERROR_NO_TRUST_SAM_ACCOUNT | The security database on the server does not have a computer account for this workstation trust relationship. |
| 1788 | 0x000006FC | ERROR_TRUSTED_DOMAIN_FAILURE | The trust relationship between the primary domain and the trusted domain failed. |
| 1789 | 0x000006FD | ERROR_TRUSTED_RELATIONSHIP_FAILURE | The trust relationship between this workstation and the primary domain failed. |
| 1790 | 0x000006FE | ERROR_TRUST_FAILURE | The network logon failed. |
| 1791 | 0x000006FF | RPC_S_CALL_IN_PROGRESS | A remote procedure call is already in progress for this thread. |
| 1792 | 0x00000700 | ERROR_NETLOGON_NOT_STARTED | An attempt was made to logon, but the network logon service was not started. |
| 1793 | 0x00000701 | ERROR_ACCOUNT_EXPIRED | The user's account has expired. |
| 1794 | 0x00000702 | ERROR_REDIRECTOR_HAS_OPEN_HANDLES | The redirector is in use and cannot be unloaded. |
| 1795 | 0x00000703 | ERROR_PRINTER_DRIVER_ALREADY_INSTALLED | The specified printer driver is already installed. |
| 1796 | 0x00000704 | ERROR_UNKNOWN_PORT | The specified port is unknown. |
| 1797 | 0x00000705 | ERROR_UNKNOWN_PRINTER_DRIVER | The printer driver is unknown. |
| 1798 | 0x00000706 | ERROR_UNKNOWN_PRINTPROCESSOR | The print processor is unknown. |
| 1799 | 0x00000707 | ERROR_INVALID_SEPARATOR_FILE | The specified separator file is invalid. |

| | | Error | | Description |
|---------|-------------|---|--|---|
| decimal | Hexadecimal | Name | | |
| 1800 | 0x00000708 | ERROR_INVALID_PRIORITY | | The specified priority is invalid. |
| 1801 | 0x00000709 | ERROR_INVALID_PRINTER_NAME | | The printer name is invalid. |
| 1802 | 0x0000070A | ERROR_PRINTER_ALREADY_EXISTS | | The printer already exists. |
| 1803 | 0x0000070B | ERROR_INVALID_PRINTER_COMMAND | | The printer command is invalid. |
| 1804 | 0x0000070C | ERROR_INVALID_DATATYPE | | The specified datatype is invalid. |
| 1805 | 0x0000070D | ERROR_INVALID_ENVIRONMENT | | The environment specified is invalid. |
| 1806 | 0x0000070E | RPC_S_NO_MORE_BINDINGS | | There are no more bindings. |
| 1807 | 0x0000070F | ERROR_NOLOGON_INTERDOMAIN_TRUST_ACCOUNT | | The account used is an interdomain trust account. Use your global user account or local user account to access this server. |
| 1808 | 0x00000710 | ERROR_NOLOGON_WORKSTATION_TRUST_ACCOUNT | | The account used is a computer account. Use your global user account or local user account to access this server. |
| 1809 | 0x00000711 | ERROR_NOLOGON_SERVER_TRUST_ACCOUNT | | The account used is a server trust account. Use your global user account or local user account to access this server. |
| 1810 | 0x00000712 | ERROR_DOMAIN_TRUST_INCONSISTENT | | The name or security ID (SID) of the domain specified is inconsistent with the trust information for that domain. |
| 1811 | 0x00000713 | ERROR_SERVER_HAS_OPEN_HANDLES | | The server is in use and cannot be unloaded. |
| 1812 | 0x00000714 | ERROR_RESOURCE_DATA_NOT_FOUND | | The specified image file did not contain a resource section. |
| 1813 | 0x00000715 | ERROR_RESOURCE_TYPE_NOT_FOUND | | The specified resource type cannot be found in the image file. |
| 1814 | 0x00000716 | ERROR_RESOURCE_NAME_NOT_FOUND | | The specified resource name cannot be found in the image file. |
| 1815 | 0x00000717 | ERROR_RESOURCE_LANG_NOT_FOUND | | The specified resource language ID cannot be found in the image file. |
| 1816 | 0x00000718 | ERROR_NOT_ENOUGH_QUOTA | | Not enough quota is available to process this command. |
| 1817 | 0x00000719 | RPC_S_NO_INTERFACES | | No interfaces have been registered. |
| 1818 | 0x0000071A | RPC_S_CALL_CANCELLED | | The remote procedure call was cancelled. |
| 1819 | 0x0000071B | RPC_S_BINDING_INCOMPLETE | | The binding handle does not contain all required information. |
| 1820 | 0x0000071C | RPC_S_COMM_FAILURE | | A communications failure occurred during a remote procedure call. |
| 1821 | 0x0000071D | RPC_S_UNSUPPORTED_AUTHN_LEVEL | | The requested authentication level is not supported. |
| 1822 | 0x0000071E | RPC_S_NO_PRINC_NAME | | No principal name registered. |
| 1823 | 0x0000071F | RPC_S_NOT_RPC_ERROR | | The error specified is not a valid Windows RPC error code. |
| 1824 | 0x00000720 | RPC_S_UUID_LOCAL_ONLY | | A UUID that is valid only on this computer has been allocated. |
| 1825 | 0x00000721 | RPC_S_SEC_PKG_ERROR | | A security package specific error occurred. |
| 1826 | 0x00000722 | RPC_S_NOT_CANCELLED | | Thread is not canceled. |
| 1827 | 0x00000723 | RPC_X_INVALID_ES_ACTION | | Invalid operation on the encoding/decoding handle. |
| 1828 | 0x00000724 | RPC_X_WRONG_ES_VERSION | | Incompatible version of the serializing package. |
| 1829 | 0x00000725 | RPC_X_WRONG_STUB_VERSION | | Incompatible version of the RPC stub. |
| 1830 | 0x00000726 | RPC_X_INVALID_PIPE_OBJECT | | The RPC pipe object is invalid or corrupted. |
| 1831 | 0x00000727 | RPC_X_WRONG_PIPE_ORDER | | An invalid operation was attempted on an RPC pipe object. |
| 1832 | 0x00000728 | RPC_X_WRONG_PIPE_VERSION | | Unsupported RPC pipe version. |
| 1898 | 0x0000076A | RPC_S_GROUP_MEMBER_NOT_FOUND | | The group member was not found. |
| 1899 | 0x0000076B | EPT_S_CANT_CREATE | | The endpoint mapper database entry could not be created. |
| 1900 | 0x0000076C | RPC_S_INVALID_OBJECT | | The object universal unique identifier (UUID) is the nil UUID. |
| 1901 | 0x0000076D | ERROR_INVALID_TIME | | The specified time is invalid. |
| 1902 | 0x0000076E | ERROR_INVALID_FORM_NAME | | The specified form name is invalid. |
| 1903 | 0x0000076F | ERROR_INVALID_FORM_SIZE | | The specified form size is invalid. |
| 1904 | 0x00000770 | ERROR_ALREADY_WAITING | | The specified printer handle is already being waited on |

| Error | | | Description |
|---------|-------------|-----------------------------------|---|
| decimal | Hexadecimal | Name | |
| 1905 | 0x00000771 | ERROR_PRINTER_DELETED | The specified printer has been deleted. |
| 1906 | 0x00000772 | ERROR_INVALID_PRINTER_STATE | The state of the printer is invalid. |
| 1907 | 0x00000773 | ERROR_PASSWORD_MUST_CHANGE | The user's password must be changed before logging on the first time. |
| 1908 | 0x00000774 | ERROR_DOMAIN_CONTROLLER_NOT_FOUND | Could not find the domain controller for this domain. |
| 1909 | 0x00000775 | ERROR_ACCOUNT_LOCKED_OUT | The referenced account is currently locked out and may not be logged on to. |
| 1910 | 0x00000776 | OR_INVALID_OXID | The object exporter specified was not found. |
| 1911 | 0x00000777 | OR_INVALID_OID | The object specified was not found. |
| 1912 | 0x00000778 | OR_INVALID_SET | The object resolver set specified was not found. |
| 1913 | 0x00000779 | RPC_S_SEND_INCOMPLETE | Some data remains to be sent in the request buffer. |
| 1914 | 0x0000077A | RPC_S_INVALID_ASYNC_HANDLE | Invalid asynchronous remote procedure call handle. |
| 1915 | 0x0000077B | RPC_S_INVALID_ASYNC_CALL | Invalid asynchronous RPC call handle for this operation. |
| 1916 | 0x0000077C | RPC_X_PIPE_CLOSED | The RPC pipe object has already been closed. |
| 1917 | 0x0000077D | RPC_X_PIPE_DISCIPLINE_ERROR | The RPC call completed before all pipes were processed. |
| 1918 | 0x0000077E | RPC_X_PIPE_EMPTY | No more data is available from the RPC pipe. |
| 1919 | 0x0000077F | ERROR_NO_SITENAME | No site name is available for this machine. |
| 1920 | 0x00000780 | ERROR_CANT_ACCESS_FILE | The file can not be accessed by the system. |
| 1921 | 0x00000781 | ERROR_CANT_RESOLVE_FILENAME | The name of the file cannot be resolved by the system. |
| 1922 | 0x00000782 | RPC_S_ENTRY_TYPE_MISMATCH | The entry is not of the expected type. |
| 1923 | 0x00000783 | RPC_S_NOT_ALL_OBJS_EXPORTED | Not all object UUIDs could be exported to the specified entry. |
| 1924 | 0x00000784 | RPC_S_INTERFACE_NOT_EXPORTED | Interface could not be exported to the specified entry. |
| 1925 | 0x00000785 | RPC_S_PROFILE_NOT_ADDED | The specified profile entry could not be added. |
| 1926 | 0x00000786 | RPC_S_PRF_ELT_NOT_ADDED | The specified profile element could not be added. |
| 1927 | 0x00000787 | RPC_S_PRF_ELT_NOT_REMOVED | The specified profile element could not be removed. |
| 1928 | 0x00000788 | RPC_S_GRP_ELT_NOT_ADDED | The group element could not be added. |
| 1929 | 0x00000789 | RPC_S_GRP_ELT_NOT_REMOVED | The group element could not be removed. |
| 1930 | 0x0000078A | ERROR_KM_DRIVER_BLOCKED | The printer driver is not compatible with a policy enabled on your computer that blocks NT 4.0 drivers. |

| Error | | | Description |
|---------|-------------|--|---|
| decimal | Hexadecimal | Name | |
| 2000 | 0x000007D0 | ERROR_INVALID_PIXEL_FORMAT | The pixel format is invalid. |
| 2001 | 0x000007D1 | ERROR_BAD_DRIVER | The specified driver is invalid. |
| 2002 | 0x000007D2 | ERROR_INVALID_WINDOW_STYLE | The window style or class attribute is invalid for this operation. |
| 2003 | 0x000007D3 | ERROR_METAFILE_NOT_SUPPORTED | The requested metafile operation is not supported. |
| 2004 | 0x000007D4 | ERROR_TRANSFORM_NOT_SUPPORTED | The requested transformation operation is not supported. |
| 2005 | 0x000007D5 | ERROR_CLIPPING_NOT_SUPPORTED | The requested clipping operation is not supported. |
| 2010 | 0x000007DA | ERROR_INVALID_CMM | The specified color management module is invalid. |
| 2011 | 0x000007DB | ERROR_INVALID_PROFILE | The specified color profile is invalid. |
| 2012 | 0x000007DC | ERROR_TAG_NOT_FOUND | The specified tag was not found. |
| 2013 | 0x000007DD | ERROR_TAG_NOT_PRESENT | A required tag is not present. |
| 2014 | 0x000007DE | ERROR_DUPLICATE_TAG | The specified tag is already present. |
| 2015 | 0x000007DF | ERROR_PROFILE_NOT_ASSOCIATED_WITH_DEVICE | The specified color profile is not associated with any device. |
| 2016 | 0x000007E0 | ERROR_PROFILE_NOT_FOUND | The specified color profile was not found. |
| 2017 | 0x000007E1 | ERROR_INVALID_COLORSPACE | The specified color space is invalid. |
| 2018 | 0x000007E2 | ERROR_ICM_NOT_ENABLED | Image Color Management is not enabled. |
| 2019 | 0x000007E3 | ERROR_DELETING_ICM_XFORM | There was an error while deleting the color transform. |
| 2020 | 0x000007E4 | ERROR_INVALID_TRANSFORM | The specified color transform is invalid. |
| 2021 | 0x000007E5 | ERROR_COLORSPACE_MISMATCH | The specified transform does not match the bitmap's color space. |
| 2022 | 0x000007E6 | ERROR_INVALID_COLORINDEX | The specified named color index is not present in the profile. |
| 2108 | 0x0000083C | ERROR_CONNECTED_OTHER_PASSWORD | The network connection was made successfully, but the user had to be prompted for a password other than the one originally specified. |
| 2202 | 0x0000089A | ERROR_BAD_USERNAME | The specified username is invalid. |
| 2250 | 0x000008CA | ERROR_NOT_CONNECTED | This network connection does not exist. |
| 2401 | 0x00000961 | ERROR_OPEN_FILES | This network connection has files open or requests pending. |
| 2402 | 0x00000962 | ERROR_ACTIVE_CONNECTIONS | Active connections still exist. |
| 2404 | 0x00000964 | ERROR_DEVICE_IN_USE | The device is in use by an active process and cannot be disconnected. |
| 2500 | 0x000009C4 | ERROR_PKINIT_FAILURE | The kerberos protocol encountered an error while validating the KDC certificate during smartcard logon. |
| 2501 | 0x000009C5 | ERROR_SMARTCARD_SUBSYSTEM_FAILURE | The kerberos protocol encountered an error while attempting to utilize the smartcard subsystem. |

| | | Error | | Description |
|---------|-------------|---|--|--|
| decimal | Hexadecimal | Name | | |
| 3000 | 0x00000BB8 | ERROR_UNKNOWN_PRINT_MONITOR | | The specified print monitor is unknown. |
| 3001 | 0x00000BB9 | ERROR_PRINTER_DRIVER_IN_USE | | The specified printer driver is currently in use. |
| 3002 | 0x00000BBA | ERROR_SPOOL_FILE_NOT_FOUND | | The spool file was not found. |
| 3003 | 0x00000BBB | ERROR_SPL_NO_STARTDOC | | A StartDocPrinter call was not issued. |
| 3004 | 0x00000BBC | ERROR_SPL_NO_ADDJOB | | An AddJob call was not issued. |
| 3005 | 0x00000BBD | ERROR_PRINT_PROCESSOR_ALREADY_INSTALLED | | The specified print processor has already been installed. |
| 3006 | 0x00000BBE | ERROR_PRINT_MONITOR_ALREADY_INSTALLED | | The specified print monitor has already been installed. |
| 3007 | 0x00000BBF | ERROR_INVALID_PRINT_MONITOR | | The specified print monitor does not have the required functions. |
| 3008 | 0x00000BC0 | ERROR_PRINT_MONITOR_IN_USE | | The specified print monitor is currently in use. |
| 3009 | 0x00000BC1 | ERROR_PRINTER_HAS_JOBS_QUEUED | | The requested operation is not allowed when there are jobs queued to the printer. |
| 3010 | 0x00000BC2 | ERROR_SUCCESS_REBOOT_REQUIRED | | The requested operation is successful. Changes will not be effective until the system is rebooted. |
| 3011 | 0x00000BC3 | ERROR_SUCCESS_RESTART_REQUIRED | | The requested operation is successful. Changes will not be effective until the service is restarted. |
| 3012 | 0x00000BC4 | ERROR_PRINTER_NOT_FOUND | | No printers were found. |
| 4000 | 0x00000FA0 | ERROR_WINS_INTERNAL | | WINS encountered an error while processing the command. |
| 4001 | 0x00000FA1 | ERROR_CAN_NOT_DEL_LOCAL_WINS | | The local WINS can not be deleted. |
| 4002 | 0x00000FA2 | ERROR_STATIC_INIT | | The importation from the file failed. |
| 4003 | 0x00000FA3 | ERROR_INC_BACKUP | | The backup failed. Was a full backup done before? |
| 4004 | 0x00000FA4 | ERROR_FULL_BACKUP | | The backup failed. Check the directory to which you are backing the database. |
| 4005 | 0x00000FA5 | ERROR_REC_NON_EXISTENT | | The name does not exist in the WINS database. |
| 4006 | 0x00000FA6 | ERROR_RPL_NOT_ALLOWED | | Replication with a nonconfigured partner is not allowed. |
| 4100 | 0x00001004 | ERROR_DHCP_ADDRESS_CONFLICT | | The DHCP client has obtained an IP address that is already in use on the network. The local interface will be disabled until the DHCP client can obtain a new address. |
| 4200 | 0x00001068 | ERROR_WMI_GUID_NOT_FOUND | | The GUID passed was not recognized as valid by a WMI data provider. |
| 4201 | 0x00001069 | ERROR_WMI_INSTANCE_NOT_FOUND | | The instance name passed was not recognized as valid by a WMI data provider. |
| 4202 | 0x0000106A | ERROR_WMI_ITEMID_NOT_FOUND | | The data item ID passed was not recognized as valid by a WMI data provider. |
| 4203 | 0x0000106B | ERROR_WMI_TRY_AGAIN | | The WMI request could not be completed and should be retried. |
| 4204 | 0x0000106C | ERROR_WMI_DP_NOT_FOUND | | The WMI data provider could not be located. |
| 4205 | 0x0000106D | ERROR_WMI_UNRESOLVED_INSTANCE_REF | | The WMI data provider references an instance set that has not been registered. |
| 4206 | 0x0000106E | ERROR_WMI_ALREADY_ENABLED | | The WMI data block or event notification has already been enabled. |
| 4207 | 0x0000106F | ERROR_WMI_GUID_DISCONNECTED | | The WMI data block is no longer available. |
| 4208 | 0x00001070 | ERROR_WMI_SERVER_UNAVAILABLE | | The WMI data service is not available. |
| 4209 | 0x00001071 | ERROR_WMI_DP_FAILED | | The WMI data provider failed to carry out the request. |
| 4210 | 0x00001072 | ERROR_WMI_INVALID_MOF | | The WMI MOF information is not valid. |
| 4211 | 0x00001073 | ERROR_WMI_INVALID_REGINFO | | The WMI registration information is not valid. |
| 4212 | 0x00001074 | ERROR_WMI_ALREADY_DISABLED | | The WMI data block or event notification has already been disabled. |
| 4213 | 0x00001075 | ERROR_WMI_READ_ONLY | | The WMI data item or data block is read only. |
| 4214 | 0x00001076 | ERROR_WMI_SET_FAILURE | | The WMI data item or data block could not be changed. |
| 4300 | 0x000010CC | ERROR_INVALID_MEDIA | | The media identifier does not represent a valid medium. |
| 4301 | 0x000010CD | ERROR_INVALID_LIBRARY | | The library identifier does not represent a valid library. |

| Error | | | Description |
|---------|-------------|-------------------------------------|--|
| decimal | Hexadecimal | Name | |
| 4302 | 0x000010CE | ERROR_INVALID_MEDIA_POOL | The media pool identifier does not represent a valid media pool. |
| 4303 | 0x000010CF | ERROR_DRIVE_MEDIA_MISMATCH | The drive and medium are not compatible or exist in different libraries. |
| 4304 | 0x000010D0 | ERROR_MEDIA_OFFLINE | The medium currently exists in an offline library and must be online to perform this operation. |
| 4305 | 0x000010D1 | ERROR_LIBRARY_OFFLINE | The operation cannot be performed on an offline library. |
| 4306 | 0x000010D2 | ERROR_EMPTY | The library, drive, or media pool is empty. |
| 4307 | 0x000010D3 | ERROR_NOT_EMPTY | The library, drive, or media pool must be empty to perform this operation. |
| 4308 | 0x000010D4 | ERROR_MEDIA_UNAVAILABLE | No media is currently available in this media pool or library. |
| 4309 | 0x000010D5 | ERROR_RESOURCE_DISABLED | A resource required for this operation is disabled. |
| 4310 | 0x000010D6 | ERROR_INVALID_CLEANER | The media identifier does not represent a valid cleaner. |
| 4311 | 0x000010D7 | ERROR_UNABLE_TO_CLEAN | The drive cannot be cleaned or does not support cleaning. |
| 4312 | 0x000010D8 | ERROR_OBJECT_NOT_FOUND | The object identifier does not represent a valid object. |
| 4313 | 0x000010D9 | ERROR_DATABASE_FAILURE | Unable to read from or write to the database. |
| 4314 | 0x000010DA | ERROR_DATABASE_FULL | The database is full. |
| 4315 | 0x000010DB | ERROR_MEDIA_INCOMPATIBLE | The medium is not compatible with the device or media pool. |
| 4316 | 0x000010DC | ERROR_RESOURCE_NOT_PRESENT | The resource required for this operation does not exist. |
| 4317 | 0x000010DD | ERROR_INVALID_OPERATION | The operation identifier is not valid. |
| 4318 | 0x000010DE | ERROR_MEDIA_NOT_AVAILABLE | The media is not mounted or ready for use. |
| 4319 | 0x000010DF | ERROR_DEVICE_NOT_AVAILABLE | The device is not ready for use. |
| 4320 | 0x000010E0 | ERROR_REQUEST_REFUSED | The operator or administrator has refused the request. |
| 4321 | 0x000010E1 | ERROR_INVALID_DRIVE_OBJECT | The drive identifier does not represent a valid drive. |
| 4322 | 0x000010E2 | ERROR_LIBRARY_FULL | Library is full. No slot is available for use. |
| 4323 | 0x000010E3 | ERROR_MEDIUM_NOT_ACCESSIBLE | The transport cannot access the medium. |
| 4324 | 0x000010E4 | ERROR_UNABLE_TO_LOAD_MEDIUM | Unable to load the medium into the drive. |
| 4325 | 0x000010E5 | ERROR_UNABLE_TO_INVENTORY_DRIVE | Unable to retrieve status about the drive. |
| 4326 | 0x000010E6 | ERROR_UNABLE_TO_INVENTORY_SLOT | Unable to retrieve status about the slot. |
| 4327 | 0x000010E7 | ERROR_UNABLE_TO_INVENTORY_TRANSPORT | Unable to retrieve status about the transport. |
| 4328 | 0x000010E8 | ERROR_TRANSPORT_FULL | Cannot use the transport because it is already in use. |
| 4329 | 0x000010E9 | ERROR_CONTROLLING_IEPORT | Unable to open or close the inject/eject port. |
| 4330 | 0x000010EA | ERROR_UNABLE_TO_EJECT_MOUNTED_MEDIA | Unable to eject the media because it is in a drive. |
| 4331 | 0x000010EB | ERROR_CLEANER_SLOT_SET | A cleaner slot is already reserved. |
| 4332 | 0x000010EC | ERROR_CLEANER_SLOT_NOT_SET | A cleaner slot is not reserved. |
| 4333 | 0x000010ED | ERROR_CLEANER_CARTRIDGE_SPENT | The cleaner cartridge has performed the maximum number of drive cleanings. |
| 4334 | 0x000010EE | ERROR_UNEXPECTED_OMID | Unexpected on-medium identifier. |
| 4335 | 0x000010EF | ERROR_CANT_DELETE_LAST_ITEM | The last remaining item in this group or resource cannot be deleted. |
| 4336 | 0x000010F0 | ERROR_MESSAGE_EXCEEDS_MAX_SIZE | The message provided exceeds the maximum size allowed for this parameter. |
| 4337 | 0x000010F1 | ERROR_VOLUME_CONTAINS_SYS_FILES | The volume contains system or paging files. |
| 4338 | 0x000010F2 | ERROR_INDIGENOUS_TYPE | The media type cannot be removed from this library since at least one drive in the library reports it can support this media type. |
| 4339 | 0x000010F3 | ERROR_NO_SUPPORTING_DRIVES | This offline media cannot be mounted on this system since no enabled drives are present which can be used. |
| 4340 | 0x000010F4 | ERROR_CLEANER_CARTRIDGE_INSTALLED | A cleaner cartridge is present in the tape library. |
| 4350 | 0x000010FE | ERROR_FILE_OFFLINE | The remote storage service was not able to recall the file. |

| Error | | | Description |
|---------|-------------|----------------------------------|--|
| decimal | Hexadecimal | Name | |
| 4351 | 0x000010FF | ERROR_REMOTE_STORAGE_NOT_ACTIVE | The remote storage service is not operational at this time. |
| 4352 | 0x00001100 | ERROR_REMOTE_STORAGE_MEDIA_ERROR | The remote storage service encountered a media error. |
| 4390 | 0x00001126 | ERROR_NOT_A_REPARSE_POINT | The file or directory is not a reparse point. |
| 4391 | 0x00001127 | ERROR_REPARSE_ATTRIBUTE_CONFLICT | The reparse point attribute cannot be set because it conflicts with an existing attribute. |
| 4392 | 0x00001128 | ERROR_INVALID_REPARSE_DATA | The data present in the reparse point buffer is invalid. |
| 4393 | 0x00001129 | ERROR_REPARSE_TAG_INVALID | The tag present in the reparse point buffer is invalid. |
| 4394 | 0x0000112A | ERROR_REPARSE_TAG_MISMATCH | There is a mismatch between the tag specified in the request and the tag present in the reparse point. |
| 4500 | 0x00001194 | ERROR_VOLUME_NOT_SIS_ENABLED | Single Instance Storage is not available on this volume. |

| | | Error | | Description |
|---------|-------------|---|--|---|
| decimal | Hexadecimal | Name | | |
| 5001 | 0x00001389 | ERROR_DEPENDENT_RESOURCE_EXISTS | | The cluster resource cannot be moved to another group because other resources are dependent on it. |
| 5002 | 0x0000138A | ERROR_DEPENDENCY_NOT_FOUND | | The cluster resource dependency cannot be found. |
| 5003 | 0x0000138B | ERROR_DEPENDENCY_ALREADY_EXISTS | | The cluster resource cannot be made dependent on the specified resource because it is already dependent. |
| 5004 | 0x0000138C | ERROR_RESOURCE_NOT_ONLINE | | The cluster resource is not online. |
| 5005 | 0x0000138D | ERROR_HOST_NODE_NOT_AVAILABLE | | A cluster node is not available for this operation. |
| 5006 | 0x0000138E | ERROR_RESOURCE_NOT_AVAILABLE | | The cluster resource is not available. |
| 5007 | 0x0000138F | ERROR_RESOURCE_NOT_FOUND | | The cluster resource could not be found. |
| 5008 | 0x00001390 | ERROR_SHUTDOWN_CLUSTER | | The cluster is being shut down. |
| 5009 | 0x00001391 | ERROR_CANT_EVICT_ACTIVE_NODE | | A cluster node cannot be evicted from the cluster unless the node is down. |
| 5010 | 0x00001392 | ERROR_OBJECT_ALREADY_EXISTS | | The object already exists. |
| 5011 | 0x00001393 | ERROR_OBJECT_IN_LIST | | The object is already in the list. |
| 5012 | 0x00001394 | ERROR_GROUP_NOT_AVAILABLE | | The cluster group is not available for any new requests. |
| 5013 | 0x00001395 | ERROR_GROUP_NOT_FOUND | | The cluster group could not be found. |
| 5014 | 0x00001396 | ERROR_GROUP_NOT_ONLINE | | The operation could not be completed because the cluster group is not online. |
| 5015 | 0x00001397 | ERROR_HOST_NODE_NOT_RESOURCE_OWNER | | The cluster node is not the owner of the resource. |
| 5016 | 0x00001398 | ERROR_HOST_NODE_NOT_GROUP_OWNER | | The cluster node is not the owner of the group. |
| 5017 | 0x00001399 | ERROR_RESMON_CREATE_FAILED | | The cluster resource could not be created in the specified resource monitor. |
| 5018 | 0x0000139A | ERROR_RESMON_ONLINE_FAILED | | The cluster resource could not be brought online by the resource monitor. |
| 5019 | 0x0000139B | ERROR_RESOURCE_ONLINE | | The operation could not be completed because the cluster resource is online. |
| 5020 | 0x0000139C | ERROR_QUORUM_RESOURCE | | The cluster resource could not be deleted or brought offline because it is the quorum resource. |
| 5021 | 0x0000139D | ERROR_NOT_QUORUM_CAPABLE | | The cluster could not make the specified resource a quorum resource because it is not capable of being a quorum resource. |
| 5022 | 0x0000139E | ERROR_CLUSTER_SHUTTING_DOWN | | The cluster software is shutting down. |
| 5023 | 0x0000139F | ERROR_INVALID_STATE | | The group or resource is not in the correct state to perform the requested operation. |
| 5024 | 0x000013A0 | ERROR_RESOURCE_PROPERTIES_STORED | | The properties were stored but not all changes will take effect until the next time the resource is brought online. |
| 5025 | 0x000013A1 | ERROR_NOT_QUORUM_CLASS | | The cluster could not make the specified resource a quorum resource because it does not belong to a shared storage class. |
| 5026 | 0x000013A2 | ERROR_CORE_RESOURCE | | The cluster resource could not be deleted since it is a core resource. |
| 5027 | 0x000013A3 | ERROR_QUORUM_RESOURCE_ONLINE_FAILED | | The quorum resource failed to come online. |
| 5028 | 0x000013A4 | ERROR_QUORUMLOG_OPEN_FAILED | | The quorum log could not be created or mounted successfully. |
| 5029 | 0x000013A5 | ERROR_CLUSTERLOG_CORRUPT | | The cluster log is corrupt. |
| 5030 | 0x000013A6 | ERROR_CLUSTERLOG_RECORD_EXCEEDS_MAXSIZE | | The record could not be written to the cluster log since it exceeds the maximum size. |
| 5031 | 0x000013A7 | ERROR_CLUSTERLOG_EXCEEDS_MAXSIZE | | The cluster log exceeds its maximum size. |
| 5032 | 0x000013A8 | ERROR_CLUSTERLOG_CHKPOINT_NOT_FOUND | | No checkpoint record was found in the cluster log. |
| 5033 | 0x000013A9 | ERROR_CLUSTERLOG_NOT_ENOUGH_SPACE | | The minimum required disk space needed for logging is not available. |
| 5034 | 0x000013AA | ERROR_QUORUM_OWNER_ALIVE | | The cluster node failed to take control of the quorum resource because the resource is owned by another active node. |
| 5035 | 0x000013AB | ERROR_NETWORK_NOT_AVAILABLE | | A cluster network is not available for this operation. |
| 5036 | 0x000013AC | ERROR_NODE_NOT_AVAILABLE | | A cluster node is not available for this operation. |

| | | Error | | Description |
|---------|-------------|--|--|---|
| decimal | Hexadecimal | Name | | |
| 5037 | 0x000013AD | ERROR_ALL_NODES_NOT_AVAILABLE | | All cluster nodes must be running to perform this operation. |
| 5038 | 0x000013AE | ERROR_RESOURCE_FAILED | | A cluster resource failed. |
| 5039 | 0x000013AF | ERROR_CLUSTER_INVALID_NODE | | The cluster node is not valid. |
| 5040 | 0x000013B0 | ERROR_CLUSTER_NODE_EXISTS | | The cluster node already exists. |
| 5041 | 0x000013B1 | ERROR_CLUSTER_JOIN_IN_PROGRESS | | A node is in the process of joining the cluster. |
| 5042 | 0x000013B2 | ERROR_CLUSTER_NODE_NOT_FOUND | | The cluster node was not found. |
| 5043 | 0x000013B3 | ERROR_CLUSTER_LOCAL_NODE_NOT_FOUND | | The cluster local node information was not found. |
| 5044 | 0x000013B4 | ERROR_CLUSTER_NETWORK_EXISTS | | The cluster network already exists. |
| 5045 | 0x000013B5 | ERROR_CLUSTER_NETWORK_NOT_FOUND | | The cluster network was not found. |
| 5046 | 0x000013B6 | ERROR_CLUSTER_NETINTERFACE_EXISTS | | The cluster network interface already exists. |
| 5047 | 0x000013B7 | ERROR_CLUSTER_NETINTERFACE_NOT_FOUND | | The cluster network interface was not found. |
| 5048 | 0x000013B8 | ERROR_CLUSTER_INVALID_REQUEST | | The cluster request is not valid for this object. |
| 5049 | 0x000013B9 | ERROR_CLUSTER_INVALID_NETWORK_PROVIDER | | The cluster network provider is not valid. |
| 5050 | 0x000013BA | ERROR_CLUSTER_NODE_DOWN | | The cluster node is down. |
| 5051 | 0x000013BB | ERROR_CLUSTER_NODE_UNREACHABLE | | The cluster node is not reachable. |
| 5052 | 0x000013BC | ERROR_CLUSTER_NODE_NOT_MEMBER | | The cluster node is not a member of the cluster. |
| 5053 | 0x000013BD | ERROR_CLUSTER_JOIN_NOT_IN_PROGRESS | | A cluster join operation is not in progress. |
| 5054 | 0x000013BE | ERROR_CLUSTER_INVALID_NETWORK | | The cluster network is not valid. |
| 5056 | 0x000013C0 | ERROR_CLUSTER_NODE_UP | | The cluster node is up. |
| 5057 | 0x000013C1 | ERROR_CLUSTER_IPADDR_IN_USE | | The cluster IP address is already in use. |
| 5058 | 0x000013C2 | ERROR_CLUSTER_NODE_NOT_PAUSED | | The cluster node is not paused. |
| 5059 | 0x000013C3 | ERROR_CLUSTER_NO_SECURITY_CONTEXT | | No cluster security context is available. |
| 5060 | 0x000013C4 | ERROR_CLUSTER_NETWORK_NOT_INTERNAL | | The cluster network is not configured for internal cluster communication. |
| 5061 | 0x000013C5 | ERROR_CLUSTER_NODE_ALREADY_UP | | The cluster node is already up. |
| 5062 | 0x000013C6 | ERROR_CLUSTER_NODE_ALREADY_DOWN | | The cluster node is already down. |
| 5063 | 0x000013C7 | ERROR_CLUSTER_NETWORK_ALREADY_ONLINE | | The cluster network is already online. |
| 5064 | 0x000013C8 | ERROR_CLUSTER_NETWORK_ALREADY_OFFLINE | | The cluster network is already offline. |
| 5065 | 0x000013C9 | ERROR_CLUSTER_NODE_ALREADY_MEMBER | | The cluster node is already a member of the cluster. |
| 5066 | 0x000013CA | ERROR_CLUSTER_LAST_INTERNAL_NETWORK | | The cluster network is the only one configured for internal cluster communication between two or more active cluster nodes. The internal communication capability cannot be removed from the network. |
| 5067 | 0x000013CB | ERROR_CLUSTER_NETWORK_HAS_DEPENDENTS | | One or more cluster resources depend on the network to provide service to clients. The client access capability cannot be removed from the network. |
| 5068 | 0x000013CC | ERROR_INVALID_OPERATION_ON_QUORUM | | This operation cannot be performed on the cluster resource as it the quorum resource. You may not bring the quorum resource offline or modify its possible owners list. |
| 5069 | 0x000013CD | ERROR_DEPENDENCY_NOT_ALLOWED | | The cluster quorum resource is not allowed to have any dependencies. |
| 5070 | 0x000013CE | ERROR_CLUSTER_NODE_PAUSED | | The cluster node is paused. |
| 5071 | 0x000013CF | ERROR_NODE_CANT_HOST_RESOURCE | | The cluster resource cannot be brought online. The owner node cannot run this resource. |
| 5072 | 0x000013D0 | ERROR_CLUSTER_NODE_NOT_READY | | The cluster node is not ready to perform the requested operation. |
| 5073 | 0x000013D1 | ERROR_CLUSTER_NODE_SHUTTING_DOWN | | The cluster node is shutting down. |
| 5074 | 0x000013D2 | ERROR_CLUSTER_JOIN_ABORTED | | The cluster join operation was aborted. |
| 5075 | 0x000013D3 | ERROR_CLUSTER_INCOMPATIBLE_VERSIONS | | The cluster join operation failed due to incompatible software versions between the joining node and its sponsor. |
| 5076 | 0x000013D4 | ERROR_CLUSTER_MAXNUM_OF_RESOURCES_EXCEEDED | | This resource cannot be created because the cluster has reached the limit on the number of resources it can monitor. |

| Error | | | Description |
|---------|-------------|---|---|
| decimal | Hexadecimal | Name | |
| 5077 | 0x000013D5 | ERROR_CLUSTER_SYSTEM_CONFIG_CHANGE_D | The system configuration changed during the cluster join or form operation. The join or form operation was aborted. |
| 5078 | 0x000013D6 | ERROR_CLUSTER_RESOURCE_TYPE_NOT_FOUND | The specified resource type was not found. |
| 5079 | 0x000013D7 | ERROR_CLUSTER_RESTYPE_NOT_SUPPORTED | The specified node does not support a resource of this type. This may be due to version inconsistencies or due to the absence of the resource DLL on this node. |
| 5080 | 0x000013D8 | ERROR_CLUSTER_RESNAME_NOT_FOUND | The specified resource name is supported by this resource DLL. This may be due to a bad (or changed) name supplied to the resource DLL. |
| 5081 | 0x000013D9 | ERROR_CLUSTER_NO_RPC_PACKAGES_REGISTERED | No authentication package could be registered with the RPC server. |
| 5082 | 0x000013DA | ERROR_CLUSTER_OWNER_NOT_IN_PREFLIST | You cannot bring the group online because the owner of the group is not in the preferred list for the group. To change the owner node for the group, move the group. |
| 5083 | 0x000013DB | ERROR_CLUSTER_DATABASE_SEQMISMATCH | The join operation failed because the cluster database sequence number has changed or is incompatible with the locker node. This may happen during a join operation if the cluster database was changing during the join. |
| 5084 | 0x000013DC | ERROR_RESMON_INVALID_STATE | The resource monitor will not allow the fail operation to be performed while the resource is in its current state. This may happen if the resource is in a pending state. |
| 5085 | 0x000013DD | ERROR_CLUSTER_GUM_NOT_LOCKER | A non locker code got a request to reserve the lock for making global updates. |
| 5086 | 0x000013DE | ERROR_QUORUM_DISK_NOT_FOUND | The quorum disk could not be located by the cluster service. |
| 5087 | 0x000013DF | ERROR_DATABASE_BACKUP_CORRUPT | The backup up cluster database is possibly corrupt. |
| 5088 | 0x000013E0 | ERROR_CLUSTER_NODE_ALREADY_HAS_DFS_ROOT | A DFS root already exists in this cluster node. |
| 5089 | 0x000013E1 | ERROR_RESOURCE_PROPERTY_UNCHANGEABLE | An attempt to modify a resource property failed because it conflicts with another existing property. |
| 5890 | 0x00001702 | ERROR_CLUSTER_MEMBERSHIP_INVALID_STATE | An operation was attempted that is incompatible with the current membership state of the node. |
| 5891 | 0x00001703 | ERROR_CLUSTER_QUORUMLOG_NOT_FOUND | The quorum resource does not contain the quorum log. |
| 5892 | 0x00001704 | ERROR_CLUSTER_MEMBERSHIP_HALT | The membership engine requested shutdown of the cluster service on this node. |
| 5893 | 0x00001705 | ERROR_CLUSTER_INSTANCE_ID_MISMATCH | The join operation failed because the cluster instance ID of the joining node does not match the cluster instance ID of the sponsor node. |
| 5894 | 0x00001706 | ERROR_CLUSTER_NETWORK_NOT_FOUND_FOR_IP | A matching network for the specified IP address could not be found. Please also specify a subnet mask and a cluster network. |
| 5895 | 0x00001707 | ERROR_CLUSTER_PROPERTY_DATA_TYPE_MISMATCH | The actual data type of the property did not match the expected data type of the property. |
| 5896 | 0x00001708 | ERROR_CLUSTER_EVICT_WITHOUT_CLEANUP | The cluster node was evicted from the cluster successfully. The node was not cleaned up because it does not support the evict cleanup functionality. |

| Error | | | Description |
|---------|-------------|--------------------------------------|---|
| decimal | Hexadecimal | Name | |
| 6000 | 0x00001770 | ERROR_ENCRYPTION_FAILED | The specified file could not be encrypted. |
| 6001 | 0x00001771 | ERROR_DECRYPTION_FAILED | The specified file could not be decrypted. |
| 6002 | 0x00001772 | ERROR_FILE_ENCRYPTED | The specified file is encrypted and the user does not have the ability to decrypt it. |
| 6003 | 0x00001773 | ERROR_NO_RECOVERY_POLICY | There is no valid encryption recovery policy configured for this system. |
| 6004 | 0x00001774 | ERROR_NO_EFS | The required encryption driver is not loaded for this system. |
| 6005 | 0x00001775 | ERROR_WRONG_EFS | The file was encrypted with a different encryption driver than is currently loaded. |
| 6006 | 0x00001776 | ERROR_NO_USER_KEYS | There are no EFS keys defined for the user. |
| 6007 | 0x00001777 | ERROR_FILE_NOT_ENCRYPTED | The specified file is not encrypted. |
| 6008 | 0x00001778 | ERROR_NOT_EXPORT_FORMAT | The specified file is not in the defined EFS export format. |
| 6009 | 0x00001779 | ERROR_FILE_READ_ONLY | The specified file is read only. |
| 6010 | 0x0000177A | ERROR_DIR_EFS_DISALLOWED | The directory has been disabled for encryption. |
| 6011 | 0x0000177B | ERROR_EFS_SERVER_NOT_TRUSTED | The server is not trusted for remote encryption operation. |
| 6012 | 0x0000177C | ERROR_BAD_RECOVERY_POLICY | Recovery policy configured for this system contains invalid recovery certificate. |
| 6013 | 0x0000177D | ERROR_EFS_ALG_BLOB_TOO_BIG | The encryption algorithm used on the source file needs a bigger key buffer than the one on the destination file. |
| 6014 | 0x0000177E | ERROR_VOLUME_NOT_SUPPORT_EFS | The disk partition does not support file encryption. |
| 6118 | 0x000017E6 | ERROR_NO_BROWSER_SERVERS_FOUND | The list of servers for this workgroup is not currently available. |
| 6200 | 0x00001838 | SCHED_E_SERVICE_NOT_LOCALSYSTEM | The Task Scheduler service must be configured to run in the System account to function properly. Individual tasks may be configured to run in other accounts. |
| 7001 | 0x00001B59 | ERROR_CTX_WINSTATION_NAME_INVALID | The specified session name is invalid. |
| 7002 | 0x00001B5A | ERROR_CTX_INVALID_PD | The specified protocol driver is invalid. |
| 7003 | 0x00001B5B | ERROR_CTX_PD_NOT_FOUND | The specified protocol driver was not found in the system path. |
| 7004 | 0x00001B5C | ERROR_CTX_WD_NOT_FOUND | The specified terminal connection driver was not found in the system path. |
| 7005 | 0x00001B5D | ERROR_CTX_CANNOT_MAKE_EVENTLOG_ENTRY | A registry key for event logging could not be created for this session. |
| 7006 | 0x00001B5E | ERROR_CTX_SERVICE_NAME_COLLISION | A service with the same name already exists on the system. |
| 7007 | 0x00001B5F | ERROR_CTX_CLOSE_PENDING | A close operation is pending on the session. |
| 7008 | 0x00001B60 | ERROR_CTX_NO_OUTBUF | There are no free output buffers available. |
| 7009 | 0x00001B61 | ERROR_CTX_MODEM_INF_NOT_FOUND | The MODEM.INF file was not found. |
| 7010 | 0x00001B62 | ERROR_CTX_INVALID_MODEMNAME | The modem name was not found in MODEM.INF. |
| 7011 | 0x00001B63 | ERROR_CTX_MODEM_RESPONSE_ERROR | The modem did not accept the command sent to it. Verify that the configured modem name matches the attached modem. |
| 7012 | 0x00001B64 | ERROR_CTX_MODEM_RESPONSE_TIMEOUT | The modem did not respond to the command sent to it. Verify that the modem is properly cabled and powered on. |
| 7013 | 0x00001B65 | ERROR_CTX_MODEM_RESPONSE_NO_CARRIER | Carrier detect has failed or carrier has been dropped due to disconnect. |
| 7014 | 0x00001B66 | ERROR_CTX_MODEM_RESPONSE_NO_DIALTONE | Dial tone not detected within the required time. Verify that the phone cable is properly attached and functional. |
| 7015 | 0x00001B67 | ERROR_CTX_MODEM_RESPONSE_BUSY | Busy signal detected at remote site on callback. |
| 7016 | 0x00001B68 | ERROR_CTX_MODEM_RESPONSE_VOICE | Voice detected at remote site on callback. |
| 7017 | 0x00001B69 | ERROR_CTX_TD_ERROR | Transport driver error |
| 7022 | 0x00001B6E | ERROR_CTX_WINSTATION_NOT_FOUND | The specified session cannot be found. |
| 7023 | 0x00001B6F | ERROR_CTX_WINSTATION_ALREADY_EXISTS | The specified session name is already in use. |
| 7024 | 0x00001B70 | ERROR_CTX_WINSTATION_BUSY | The requested operation cannot be completed because the terminal connection is currently busy processing a connect, disconnect, reset, or delete operation. |

| Error | | | Description |
|---------|-------------|------------------------------------|---|
| decimal | Hexadecimal | Name | |
| 7025 | 0x00001B71 | ERROR_CTX_BAD_VIDEO_MODE | An attempt has been made to connect to a session whose video mode is not supported by the current client. |
| 7035 | 0x00001B7B | ERROR_CTX_GRAPHICS_INVALID | The application attempted to enable DOS graphics mode. DOS graphics mode is not supported. |
| 7037 | 0x00001B7D | ERROR_CTX_LOGON_DISABLED | Your interactive logon privilege has been disabled. Please contact your administrator. |
| 7038 | 0x00001B7E | ERROR_CTX_NOT_CONSOLE | The requested operation can be performed only on the system console. This is most often the result of a driver or system DLL requiring direct console access. |
| 7040 | 0x00001B80 | ERROR_CTX_CLIENT_QUERY_TIMEOUT | The client failed to respond to the server connect message. |
| 7041 | 0x00001B81 | ERROR_CTX_CONSOLE_DISCONNECT | Disconnecting the console session is not supported. |
| 7042 | 0x00001B82 | ERROR_CTX_CONSOLE_CONNECT | Reconnecting a disconnected session to the console is not supported. |
| 7044 | 0x00001B84 | ERROR_CTX_SHADOW_DENIED | The request to control another session remotely was denied. |
| 7045 | 0x00001B85 | ERROR_CTX_WINSTATION_ACCESS_DENIED | The requested session access is denied. |
| 7049 | 0x00001B89 | ERROR_CTX_INVALID_WD | The specified terminal connection driver is invalid. |
| 7050 | 0x00001B8A | ERROR_CTX_SHADOW_INVALID | The requested session cannot be controlled remotely. This may be because the session is disconnected or does not currently have a user logged on. |
| 7051 | 0x00001B8B | ERROR_CTX_SHADOW_DISABLED | The requested session is not configured to allow remote control. |
| 7052 | 0x00001B8C | ERROR_CTX_CLIENT_LICENSE_IN_USE | Your request to connect to this Terminal Server has been rejected. Your Terminal Server client license number is currently being used by another user. Please call your system administrator to obtain a unique license number. |
| 7053 | 0x00001B8D | ERROR_CTX_CLIENT_LICENSE_NOT_SET | Your request to connect to this Terminal Server has been rejected. Your Terminal Server client license number has not been entered for this copy of the Terminal Server client. Please contact your system administrator. |
| 7054 | 0x00001B8E | ERROR_CTX_LICENSE_NOT_AVAILABLE | The system has reached its licensed logon limit. Please try again later. |
| 7055 | 0x00001B8F | ERROR_CTX_LICENSE_CLIENT_INVALID | The client you are using is not licensed to use this system. Your logon request is denied. |
| 7056 | 0x00001B90 | ERROR_CTX_LICENSE_EXPIRED | The system license has expired. Your logon request is denied. |
| 7057 | 0x00001B91 | ERROR_CTX_SHADOW_NOT_RUNNING | Remote control could not be terminated because the specified session is not currently being remotely controlled. |

| Error | | | Description |
|---------|-------------|---------------------------------------|---|
| decimal | Hexadecimal | Name | |
| 8001 | 0x00001F41 | FRS_ERR_INVALID_API_SEQUENCE | The file replication service API was called incorrectly. |
| 8002 | 0x00001F42 | FRS_ERR_STARTING_SERVICE | The file replication service cannot be started. |
| 8003 | 0x00001F43 | FRS_ERR_STOPPING_SERVICE | The file replication service cannot be stopped. |
| 8004 | 0x00001F44 | FRS_ERR_INTERNAL_API | The file replication service API terminated the request. The event log may have more information. |
| 8005 | 0x00001F45 | FRS_ERR_INTERNAL | The file replication service terminated the request. The event log may have more information. |
| 8006 | 0x00001F46 | FRS_ERR_SERVICE_COMM | The file replication service cannot be contacted. The event log may have more information. |
| 8007 | 0x00001F47 | FRS_ERR_INSUFFICIENT_PRIV | The file replication service cannot satisfy the request because the user has insufficient privileges. The event log may have more information. |
| 8008 | 0x00001F48 | FRS_ERR_AUTHENTICATION | The file replication service cannot satisfy the request because authenticated RPC is not available. The event log may have more information. |
| 8009 | 0x00001F49 | FRS_ERR_PARENT_INSUFFICIENT_PRIV | The file replication service cannot satisfy the request because the user has insufficient privileges on the domain controller. The event log may have more information. |
| 8010 | 0x00001F4A | FRS_ERR_PARENT_AUTHENTICATION | The file replication service cannot satisfy the request because authenticated RPC is not available on the domain controller. The event log may have more information. |
| 8011 | 0x00001F4B | FRS_ERR_CHILD_TO_PARENT_COMM | The file replication service cannot communicate with the file replication service on the domain controller. The event log may have more information. |
| 8012 | 0x00001F4C | FRS_ERR_PARENT_TO_CHILD_COMM | The file replication service on the domain controller cannot communicate with the file replication service on this computer. The event log may have more information. |
| 8013 | 0x00001F4D | FRS_ERR_SYSVOL_POPULATE | The file replication service cannot populate the system volume because of an internal error. The event log may have more information. |
| 8014 | 0x00001F4E | FRS_ERR_SYSVOL_POPULATE_TIMEOUT | The file replication service cannot populate the system volume because of an internal timeout. The event log may have more information. |
| 8015 | 0x00001F4F | FRS_ERR_SYSVOL_IS_BUSY | The file replication service cannot process the request. The system volume is busy with a previous request. |
| 8016 | 0x00001F50 | FRS_ERR_SYSVOL_DEMOTE | The file replication service cannot stop replicating the system volume because of an internal error. The event log may have more information. |
| 8017 | 0x00001F51 | FRS_ERR_INVALID_SERVICE_PARAMETER | The file replication service detected an invalid parameter. |
| 8200 | 0x00002008 | ERROR_DS_NOT_INSTALLED | An error occurred while installing the directory service. For more information, see the event log. |
| 8201 | 0x00002009 | ERROR_DS_MEMBERSHIP_EVALUATED_LOCALLY | The directory service evaluated group memberships locally. |
| 8202 | 0x0000200A | ERROR_DS_NO_ATTRIBUTE_OR_VALUE | The specified directory service attribute or value does not exist. |
| 8203 | 0x0000200B | ERROR_DS_INVALID_ATTRIBUTE_SYNTAX | The attribute syntax specified to the directory service is invalid. |
| 8204 | 0x0000200C | ERROR_DS_ATTRIBUTE_TYPE_UNDEFINED | The attribute type specified to the directory service is not defined. |
| 8205 | 0x0000200D | ERROR_DS_ATTRIBUTE_OR_VALUE_EXISTS | The specified directory service attribute or value already exists. |
| 8206 | 0x0000200E | ERROR_DS_BUSY | The directory service is busy. |
| 8207 | 0x0000200F | ERROR_DS_UNAVAILABLE | The directory service is unavailable. |
| 8208 | 0x00002010 | ERROR_DS_NO_RIDS_ALLOCATED | The directory service was unable to allocate a relative identifier. |
| 8209 | 0x00002011 | ERROR_DS_NO_MORE_RIDS | The directory service has exhausted the pool of relative identifiers. |

| | | Error | | Description |
|---------|-------------|-------------------------------------|--|--|
| decimal | Hexadecimal | Name | | |
| 8210 | 0x00002012 | ERROR_DS_INCORRECT_ROLE_OWNER | | The requested operation could not be performed because the directory service is not the master for that type of operation. |
| 8211 | 0x00002013 | ERROR_DS_RIDMGR_INIT_ERROR | | The directory service was unable to initialize the subsystem that allocates relative identifiers. |
| 8212 | 0x00002014 | ERROR_DS_OBJ_CLASS_VIOLATION | | The requested operation did not satisfy one or more constraints associated with the class of the object. |
| 8213 | 0x00002015 | ERROR_DS_CANT_ON_NON_LEAF | | The directory service can perform the requested operation only on a leaf object. |
| 8214 | 0x00002016 | ERROR_DS_CANT_ON_RDN | | The directory service cannot perform the requested operation on the RDN attribute of an object. |
| 8215 | 0x00002017 | ERROR_DS_CANT_MOD_OBJ_CLASS | | The directory service detected an attempt to modify the object class of an object. |
| 8216 | 0x00002018 | ERROR_DS_CROSS_DOM_MOVE_ERROR | | The requested cross-domain move operation could not be performed. |
| 8217 | 0x00002019 | ERROR_DS_GC_NOT_AVAILABLE | | Unable to contact the global catalog server. |
| 8218 | 0x0000201A | ERROR_SHARED_POLICY | | The policy object is shared and can only be modified at the root. |
| 8219 | 0x0000201B | ERROR_POLICY_OBJECT_NOT_FOUND | | The policy object does not exist. |
| 8220 | 0x0000201C | ERROR_POLICY_ONLY_IN_DS | | The requested policy information is only in the directory service. |
| 8221 | 0x0000201D | ERROR_PROMOTION_ACTIVE | | A domain controller promotion is currently active. |
| 8222 | 0x0000201E | ERROR_NO_PROMOTION_ACTIVE | | A domain controller promotion is not currently active |
| 8224 | 0x00002020 | ERROR_DS_OPERATIONS_ERROR | | An operations error occurred. |
| 8225 | 0x00002021 | ERROR_DS_PROTOCOL_ERROR | | A protocol error occurred. |
| 8226 | 0x00002022 | ERROR_DS_TIMELIMIT_EXCEEDED | | The time limit for this request was exceeded. |
| 8227 | 0x00002023 | ERROR_DS_SIZELIMIT_EXCEEDED | | The size limit for this request was exceeded. |
| 8228 | 0x00002024 | ERROR_DS_ADMIN_LIMIT_EXCEEDED | | The administrative limit for this request was exceeded. |
| 8229 | 0x00002025 | ERROR_DS_COMPARE_FALSE | | The compare response was false. |
| 8230 | 0x00002026 | ERROR_DS_COMPARE_TRUE | | The compare response was true. |
| 8231 | 0x00002027 | ERROR_DS_AUTH_METHOD_NOT_SUPPORTED | | The requested authentication method is not supported by the server. |
| 8232 | 0x00002028 | ERROR_DS_STRONG_AUTH_REQUIRED | | A more secure authentication method is required for this server. |
| 8233 | 0x00002029 | ERROR_DS_INAPPROPRIATE_AUTH | | Inappropriate authentication. |
| 8234 | 0x0000202A | ERROR_DS_AUTH_UNKNOWN | | The authentication mechanism is unknown. |
| 8235 | 0x0000202B | ERROR_DS_REFERRAL | | A referral was returned from the server. |
| 8236 | 0x0000202C | ERROR_DS_UNAVAILABLE_CRIT_EXTENSION | | The server does not support the requested critical extension. |
| 8237 | 0x0000202D | ERROR_DS_CONFIDENTIALITY_REQUIRED | | This request requires a secure connection. |
| 8238 | 0x0000202E | ERROR_DS_INAPPROPRIATE_MATCHING | | Inappropriate matching. |
| 8239 | 0x0000202F | ERROR_DS_CONSTRAINT_VIOLATION | | A constraint violation occurred. |
| 8240 | 0x00002030 | ERROR_DS_NO_SUCH_OBJECT | | There is no such object on the server. |
| 8241 | 0x00002031 | ERROR_DS_ALIAS_PROBLEM | | There is an alias problem. |
| 8242 | 0x00002032 | ERROR_DS_INVALID_DN_SYNTAX | | An invalid dn syntax has been specified. |
| 8243 | 0x00002033 | ERROR_DS_IS_LEAF | | The object is a leaf object. |
| 8244 | 0x00002034 | ERROR_DS_ALIAS_DEREF_PROBLEM | | There is an alias dereferencing problem. |
| 8245 | 0x00002035 | ERROR_DS_UNWILLING_TO_PERFORM | | The server is unwilling to process the request. |
| 8246 | 0x00002036 | ERROR_DS_LOOP_DETECT | | A loop has been detected. |
| 8247 | 0x00002037 | ERROR_DS_NAMING_VIOLATION | | There is a naming violation. |
| 8248 | 0x00002038 | ERROR_DS_OBJECT_RESULTS_TOO_LARGE | | The result set is too large. |
| 8249 | 0x00002039 | ERROR_DS_AFFECTS_MULTIPLE_DSAS | | The operation affects multiple DSAs |
| 8250 | 0x0000203A | ERROR_DS_SERVER_DOWN | | The server is not operational. |
| 8251 | 0x0000203B | ERROR_DS_LOCAL_ERROR | | A local error has occurred. |
| 8252 | 0x0000203C | ERROR_DS_ENCODING_ERROR | | An encoding error has occurred. |
| 8253 | 0x0000203D | ERROR_DS_DECODING_ERROR | | A decoding error has occurred. |
| 8254 | 0x0000203E | ERROR_DS_FILTER_UNKNOWN | | The search filter cannot be recognized. |

| | | Error | Description |
|---------|-------------|-----------------------------------|--|
| decimal | Hexadecimal | Name | |
| 8255 | 0x0000203F | ERROR_DS_PARAM_ERROR | One or more parameters are illegal. |
| 8256 | 0x00002040 | ERROR_DS_NOT_SUPPORTED | The specified method is not supported. |
| 8257 | 0x00002041 | ERROR_DS_NO_RESULTS_RETURNED | No results were returned. |
| 8258 | 0x00002042 | ERROR_DS_CONTROL_NOT_FOUND | The specified control is not supported by the server. |
| 8259 | 0x00002043 | ERROR_DS_CLIENT_LOOP | A referral loop was detected by the client. |
| 8260 | 0x00002044 | ERROR_DS_REFERRAL_LIMIT_EXCEEDED | The preset referral limit was exceeded. |
| 8261 | 0x00002045 | ERROR_DS_SORT_CONTROL_MISSING | The search requires a SORT control. |
| 8262 | 0x00002046 | ERROR_DS_OFFSET_RANGE_ERROR | The search results exceed the offset range specified. |
| 8301 | 0x0000206D | ERROR_DS_ROOT_MUST_BE_NC | The root object must be the head of a naming context. The root object cannot have an instantiated parent. |
| 8302 | 0x0000206E | ERROR_DS_ADD_REPLICA_INHIBITED | The add replica operation cannot be performed. The naming context must be writable in order to create the replica. |
| 8303 | 0x0000206F | ERROR_DS_ATT_NOT_DEF_IN_SCHEMA | A reference to an attribute that is not defined in the schema occurred. |
| 8304 | 0x00002070 | ERROR_DS_MAX_OBJ_SIZE_EXCEEDED | The maximum size of an object has been exceeded. |
| 8305 | 0x00002071 | ERROR_DS_OBJ_STRING_NAME_EXISTS | An attempt was made to add an object to the directory with a name that is already in use. |
| 8306 | 0x00002072 | ERROR_DS_NO_RDN_DEFINED_IN_SCHEMA | An attempt was made to add an object of a class that does not have an RDN defined in the schema. |
| 8307 | 0x00002073 | ERROR_DS_RDN_DOESNT_MATCH_SCHEMA | An attempt was made to add an object using an RDN that is not the RDN defined in the schema. |
| 8308 | 0x00002074 | ERROR_DS_NO_REQUESTED_ATTRS_FOUND | None of the requested attributes were found on the objects. |
| 8309 | 0x00002075 | ERROR_DS_USER_BUFFER_TOO_SMALL | The user buffer is too small. |
| 8310 | 0x00002076 | ERROR_DS_ATT_IS_NOT_ON_OBJ | The attribute specified in the operation is not present on the object. |
| 8311 | 0x00002077 | ERROR_DS_ILLEGAL_MOD_OPERATION | Illegal modify operation. Some aspect of the modification is not permitted. |
| 8312 | 0x00002078 | ERROR_DS_OBJ_TOO_LARGE | The specified object is too large. |
| 8313 | 0x00002079 | ERROR_DS_BAD_INSTANCE_TYPE | The specified instance type is not valid. |
| 8314 | 0x0000207A | ERROR_DS_MASTERDSA_REQUIRED | The operation must be performed at a master DSA. |
| 8315 | 0x0000207B | ERROR_DS_OBJECT_CLASS_REQUIRED | The object class attribute must be specified. |
| 8316 | 0x0000207C | ERROR_DS_MISSING_REQUIRED_ATT | A required attribute is missing. |
| 8317 | 0x0000207D | ERROR_DS_ATT_NOT_DEF_FOR_CLASS | An attempt was made to modify an object to include an attribute that is not legal for its class. |
| 8318 | 0x0000207E | ERROR_DS_ATT_ALREADY_EXISTS | The specified attribute is already present on the object. |
| 8320 | 0x00002080 | ERROR_DS_CANT_ADD_ATT_VALUES | The specified attribute is not present, or has no values. |
| 8321 | 0x00002081 | ERROR_DS_SINGLE_VALUE_CONSTRAINT | Multiple values were specified for an attribute that can have only one value. |
| 8322 | 0x00002082 | ERROR_DS_RANGE_CONSTRAINT | A value for the attribute was not in the acceptable range of values. |
| 8323 | 0x00002083 | ERROR_DS_ATT_VAL_ALREADY_EXISTS | The specified value already exists. |
| 8324 | 0x00002084 | ERROR_DS_CANT_REM_MISSING_ATT | The attribute cannot be removed because it is not present on the object. |
| 8325 | 0x00002085 | ERROR_DS_CANT_REM_MISSING_ATT_VAL | The attribute value cannot be removed because it is not present on the object. |
| 8326 | 0x00002086 | ERROR_DS_ROOT_CANT_BE_SUBREF | The specified root object cannot be a subref. |
| 8327 | 0x00002087 | ERROR_DS_NO_CHAINING | Chaining is not permitted. |
| 8328 | 0x00002088 | ERROR_DS_NO_CHAINED_EVAL | Chained evaluation is not permitted. |
| 8329 | 0x00002089 | ERROR_DS_NO_PARENT_OBJECT | The operation could not be performed because the object's parent is either uninstantiated or deleted. |
| 8330 | 0x0000208A | ERROR_DS_PARENT_IS_AN_ALIAS | Having a parent that is an alias is not permitted. Aliases are leaf objects. |

| Error | | | Description |
|---------|-------------|-----------------------------------|---|
| decimal | Hexadecimal | Name | |
| 8331 | 0x0000208B | ERROR_DS_CANT_MIX_MASTER_AND_REPS | The object and parent must be of the same type, either both masters or both replicas. |
| 8332 | 0x0000208C | ERROR_DS_CHILDREN_EXIST | The operation cannot be performed because child objects exist. This operation can only be performed on a leaf object. |
| 8333 | 0x0000208D | ERROR_DS_OBJ_NOT_FOUND | Directory object not found. |
| 8334 | 0x0000208E | ERROR_DS_ALIASED_OBJ_MISSING | The aliased object is missing. |
| 8335 | 0x0000208F | ERROR_DS_BAD_NAME_SYNTAX | The object name has bad syntax. |
| 8336 | 0x00002090 | ERROR_DS_ALIAS_POINTS_TO_ALIAS | It is not permitted for an alias to refer to another alias. |
| 8337 | 0x00002091 | ERROR_DS_CANT_DEREF_ALIAS | The alias cannot be dereferenced. |
| 8338 | 0x00002092 | ERROR_DS_OUT_OF_SCOPE | The operation is out of scope. |
| 8339 | 0x00002093 | ERROR_DS_OBJECT_BEING_REMOVED | The operation cannot continue because the object is in the process of being removed. |
| 8340 | 0x00002094 | ERROR_DS_CANT_DELETE_DSA_OBJ | The DSA object cannot be deleted. |
| 8341 | 0x00002095 | ERROR_DS_GENERIC_ERROR | A directory service error has occurred. |
| 8342 | 0x00002096 | ERROR_DS_DSA_MUST_BE_INT_MASTER | The operation can only be performed on an internal master DSA object. |
| 8343 | 0x00002097 | ERROR_DS_CLASS_NOT_DSA | The object must be of class DSA. |
| 8344 | 0x00002098 | ERROR_DS_INSUFF_ACCESS_RIGHTS | Insufficient access rights to perform the operation. |
| 8345 | 0x00002099 | ERROR_DS_ILLEGAL_SUPERIOR | The object cannot be added because the parent is not on the list of possible superiors. |
| 8346 | 0x0000209A | ERROR_DS_ATTRIBUTE_OWNED_BY_SAM | Access to the attribute is not permitted because the attribute is owned by the Security Accounts Manager (SAM). |
| 8347 | 0x0000209B | ERROR_DS_NAME_TOO_MANY_PARTS | The name has too many parts. |
| 8348 | 0x0000209C | ERROR_DS_NAME_TOO_LONG | The name is too long. |
| 8349 | 0x0000209D | ERROR_DS_NAME_VALUE_TOO_LONG | The name value is too long. |
| 8350 | 0x0000209E | ERROR_DS_NAME_UNPARSEABLE | The directory service encountered an error parsing a name. |
| 8351 | 0x0000209F | ERROR_DS_NAME_TYPE_UNKNOWN | The directory service cannot get the attribute type for a name. |
| 8352 | 0x000020A0 | ERROR_DS_NOT_AN_OBJECT | The name does not identify an object; the name identifies a phantom. |
| 8353 | 0x000020A1 | ERROR_DS_SEC_DESC_TOO_SHORT | The security descriptor is too short. |
| 8354 | 0x000020A2 | ERROR_DS_SEC_DESC_INVALID | The security descriptor is invalid. |
| 8355 | 0x000020A3 | ERROR_DS_NO_DELETED_NAME | Failed to create name for deleted object. |
| 8356 | 0x000020A4 | ERROR_DS_SUBREF_MUST_HAVE_PARENT | The parent of a new subref must exist. |
| 8357 | 0x000020A5 | ERROR_DS_NCNAME_MUST_BE_NC | The object must be a naming context. |
| 8358 | 0x000020A6 | ERROR_DS_CANT_ADD_SYSTEM_ONLY | It is not permitted to add an attribute which is owned by the system. |
| 8359 | 0x000020A7 | ERROR_DS_CLASS_MUST_BE_CONCRETE | The class of the object must be structural; you cannot instantiate an abstract class. |
| 8360 | 0x000020A8 | ERROR_DS_INVALID_DMD | The schema object could not be found. |
| 8361 | 0x000020A9 | ERROR_DS_OBJ_GUID_EXISTS | A local object with this GUID (dead or alive) already exists. |
| 8362 | 0x000020AA | ERROR_DS_NOT_ON_BACKLINK | The operation cannot be performed on a back link. |
| 8363 | 0x000020AB | ERROR_DS_NO_CROSSREF_FOR_NC | The cross reference for the specified naming context could not be found. |
| 8364 | 0x000020AC | ERROR_DS_SHUTTING_DOWN | The operation could not be performed because the directory service is shutting down. |
| 8365 | 0x000020AD | ERROR_DS_UNKNOWN_OPERATION | The directory service request is invalid. |
| 8366 | 0x000020AE | ERROR_DS_INVALID_ROLE_OWNER | The role owner attribute could not be read. |
| 8367 | 0x000020AF | ERROR_DS_COULDNT_CONTACT_FSMO | The requested FSMO operation failed. The current FSMO holder could not be reached. |
| 8368 | 0x000020B0 | ERROR_DS_CROSS_NC_DN_RENAME | Modification of a DN across a naming context is not permitted. |
| 8369 | 0x000020B1 | ERROR_DS_CANT_MOD_SYSTEM_ONLY | The attribute cannot be modified because it is owned by the system. |
| 8370 | 0x000020B2 | ERROR_DS_REPLICATOR_ONLY | Only the replicator can perform this function. |
| 8371 | 0x000020B3 | ERROR_DS_OBJ_CLASS_NOT_DEFINED | The specified class is not defined. |

| | | Error | Description |
|---------|-------------|-------------------------------------|---|
| decimal | Hexadecimal | Name | |
| 8372 | 0x000020B4 | ERROR_DS_OBJ_CLASS_NOT_SUBCLASS | The specified class is not a subclass. |
| 8373 | 0x000020B5 | ERROR_DS_NAME_REFERENCE_INVALID | The name reference is invalid. |
| 8374 | 0x000020B6 | ERROR_DS_CROSS_REF_EXISTS | A cross reference already exists. |
| 8375 | 0x000020B7 | ERROR_DS_CANT_DEL_MASTER_CROSSREF | It is not permitted to delete a master cross reference. |
| 8376 | 0x000020B8 | ERROR_DS_SUBTREE_NOTIFY_NOT_NC_HEAD | Subtree notifications are only supported on NC heads. |
| 8377 | 0x000020B9 | ERROR_DS_NOTIFY_FILTER_TOO_COMPLEX | Notification filter is too complex. |
| 8378 | 0x000020BA | ERROR_DS_DUP_RDN | Schema update failed: duplicate RDN. |
| 8379 | 0x000020BB | ERROR_DS_DUP_OID | Schema update failed: duplicate OID |
| 8380 | 0x000020BC | ERROR_DS_DUP_MAPI_ID | Schema update failed: duplicate MAPI identifier. |
| 8381 | 0x000020BD | ERROR_DS_DUP_SCHEMA_ID_GUID | Schema update failed: duplicate schema-id GUID. |
| 8382 | 0x000020BE | ERROR_DS_DUP_LDAP_DISPLAY_NAME | Schema update failed: duplicate LDAP display name. |
| 8383 | 0x000020BF | ERROR_DS_SEMANTIC_ATT_TEST | Schema update failed: range-lower less than range upper |
| 8384 | 0x000020C0 | ERROR_DS_SYNTAX_MISMATCH | Schema update failed: syntax mismatch |
| 8385 | 0x000020C1 | ERROR_DS_EXISTS_IN_MUST_HAVE | Schema deletion failed: attribute is used in must-contain |
| 8386 | 0x000020C2 | ERROR_DS_EXISTS_IN_MAY_HAVE | Schema deletion failed: attribute is used in may-contain |
| 8387 | 0x000020C3 | ERROR_DS_NONEXISTENT_MAY_HAVE | Schema update failed: attribute in may-contain does not exist |
| 8388 | 0x000020C4 | ERROR_DS_NONEXISTENT_MUST_HAVE | Schema update failed: attribute in must-contain does not exist |
| 8389 | 0x000020C5 | ERROR_DS_AUX_CLS_TEST_FAIL | Schema update failed: class in aux-class list does not exist or is not an auxiliary class |
| 8390 | 0x000020C6 | ERROR_DS_NONEXISTENT_POSS_SUP | Schema update failed: class in poss-superiors does not exist |
| 8391 | 0x000020C7 | ERROR_DS_SUB_CLS_TEST_FAIL | Schema update failed: class in subclassof list does not exist or does not satisfy hierarchy rules |
| 8392 | 0x000020C8 | ERROR_DS_BAD_RDN_ATT_ID_SYNTAX | Schema update failed: Rdn-Att-Id has wrong syntax |
| 8393 | 0x000020C9 | ERROR_DS_EXISTS_IN_AUX_CLS | Schema deletion failed: class is used as auxiliary class |
| 8394 | 0x000020CA | ERROR_DS_EXISTS_IN_SUB_CLS | Schema deletion failed: class is used as sub class |
| 8395 | 0x000020CB | ERROR_DS_EXISTS_IN_POSS_SUP | Schema deletion failed: class is used as poss superior |
| 8396 | 0x000020CC | ERROR_DS_RECALCSHEMA_FAILED | Schema update failed in recalculating validation cache. |
| 8397 | 0x000020CD | ERROR_DS_TREE_DELETE_NOT_FINISHED | The tree deletion is not finished. |
| 8398 | 0x000020CE | ERROR_DS_CANT_DELETE | The requested delete operation could not be performed. |
| 8399 | 0x000020CF | ERROR_DS_ATT_SCHEMA_REQ_ID | Cannot read the governs class identifier for the schema record. |
| 8400 | 0x000020D0 | ERROR_DS_BAD_ATT_SCHEMA_SYNTAX | The attribute schema has bad syntax. |
| 8401 | 0x000020D1 | ERROR_DS_CANT_CACHE_ATT | The attribute could not be cached. |
| 8402 | 0x000020D2 | ERROR_DS_CANT_CACHE_CLASS | The class could not be cached. |
| 8403 | 0x000020D3 | ERROR_DS_CANT_REMOVE_ATT_CACHE | The attribute could not be removed from the cache. |
| 8404 | 0x000020D4 | ERROR_DS_CANT_REMOVE_CLASS_CACHE | The class could not be removed from the cache. |
| 8405 | 0x000020D5 | ERROR_DS_CANT_RETRIEVE_DN | The distinguished name attribute could not be read. |
| 8406 | 0x000020D6 | ERROR_DS_MISSING_SUPREF | A required subref is missing. |
| 8407 | 0x000020D7 | ERROR_DS_CANT_RETRIEVE_INSTANCE | The instance type attribute could not be retrieved. |
| 8408 | 0x000020D8 | ERROR_DS_CODE_INCONSISTENCY | An internal error has occurred. |
| 8409 | 0x000020D9 | ERROR_DS_DATABASE_ERROR | A database error has occurred. |
| 8410 | 0x000020DA | ERROR_DS_GOVERNSID_MISSING | The attribute GOVERNSID is missing. |
| 8411 | 0x000020DB | ERROR_DS_MISSING_EXPECTED_ATT | An expected attribute is missing. |
| 8412 | 0x000020DC | ERROR_DS_NCNAME_MISSING_CR_REF | The specified naming context is missing a cross reference. |
| 8413 | 0x000020DD | ERROR_DS_SECURITY_CHECKING_ERROR | A security checking error has occurred. |

| | | Error | | Description |
|---------|-------------|--|--|---|
| decimal | Hexadecimal | Name | | |
| 8414 | 0x000020DE | ERROR_DS_SCHEMA_NOT_LOADED | | The schema is not loaded. |
| 8415 | 0x000020DF | ERROR_DS_SCHEMA_ALLOC_FAILED | | Schema allocation failed. Please check if the machine is running low on memory. |
| 8416 | 0x000020E0 | ERROR_DS_ATT_SCHEMA_REQ_SYNTAX | | Failed to obtain the required syntax for the attribute schema. |
| 8417 | 0x000020E1 | ERROR_DS_GCVERIFY_ERROR | | The global catalog verification failed. The global catalog is not available or does not support the operation. Some part of the directory is currently not available. |
| 8418 | 0x000020E2 | ERROR_DS_DRA_SCHEMA_MISMATCH | | The replication operation failed because of a schema mismatch between the servers involved. |
| 8419 | 0x000020E3 | ERROR_DS_CANT_FIND_DSA_OBJ | | The DSA object could not be found. |
| 8420 | 0x000020E4 | ERROR_DS_CANT_FIND_EXPECTED_NC | | The naming context could not be found. |
| 8421 | 0x000020E5 | ERROR_DS_CANT_FIND_NC_IN_CACHE | | The naming context could not be found in the cache. |
| 8422 | 0x000020E6 | ERROR_DS_CANT_RETRIEVE_CHILD | | The child object could not be retrieved. |
| 8423 | 0x000020E7 | ERROR_DS_SECURITY_ILLEGAL_MODIFY | | The modification was not permitted for security reasons. |
| 8424 | 0x000020E8 | ERROR_DS_CANT_REPLACE_HIDDEN_REC | | The operation cannot replace the hidden record. |
| 8425 | 0x000020E9 | ERROR_DS_BAD_HIERARCHY_FILE | | The hierarchy file is invalid. |
| 8426 | 0x000020EA | ERROR_DS_BUILD_HIERARCHY_TABLE_FAILED | | The attempt to build the hierarchy table failed. |
| 8427 | 0x000020EB | ERROR_DS_CONFIG_PARAM_MISSING | | The directory configuration parameter is missing from the registry. |
| 8428 | 0x000020EC | ERROR_DS_COUNTING_AB_INDICES_FAILED | | The attempt to count the address book indices failed. |
| 8429 | 0x000020ED | ERROR_DS_HIERARCHY_TABLE_MALLOC_FAILED | | The allocation of the hierarchy table failed. |
| 8430 | 0x000020EE | ERROR_DS_INTERNAL_FAILURE | | The directory service encountered an internal failure. |
| 8431 | 0x000020EF | ERROR_DS_UNKNOWN_ERROR | | The directory service encountered an unknown failure. |
| 8432 | 0x000020F0 | ERROR_DS_ROOT_REQUIRES_CLASS_TOP | | A root object requires a class of 'top'. |
| 8433 | 0x000020F1 | ERROR_DS_REFUSING_FSMO_ROLES | | This directory server is shutting down, and cannot take ownership of new floating single-master operation roles. |
| 8434 | 0x000020F2 | ERROR_DS_MISSING_FSMO_SETTINGS | | The directory service is missing mandatory configuration information, and is unable to determine the ownership of floating single-master operation roles. |
| 8435 | 0x000020F3 | ERROR_DS_UNABLE_TO_SURRENDER_ROLES | | The directory service was unable to transfer ownership of one or more floating single-master operation roles to other servers. |
| 8436 | 0x000020F4 | ERROR_DS_DRA_GENERIC | | The replication operation failed. |
| 8437 | 0x000020F5 | ERROR_DS_DRA_INVALID_PARAMETER | | An invalid parameter was specified for this replication operation. |
| 8438 | 0x000020F6 | ERROR_DS_DRA_BUSY | | The directory service is too busy to complete the replication operation at this time. |
| 8439 | 0x000020F7 | ERROR_DS_DRA_BAD_DN | | The distinguished name specified for this replication operation is invalid. |
| 8440 | 0x000020F8 | ERROR_DS_DRA_BAD_NC | | The naming context specified for this replication operation is invalid. |
| 8441 | 0x000020F9 | ERROR_DS_DRA_DN_EXISTS | | The distinguished name specified for this replication operation already exists. |
| 8442 | 0x000020FA | ERROR_DS_DRA_INTERNAL_ERROR | | The replication system encountered an internal error. |
| 8443 | 0x000020FB | ERROR_DS_DRA_INCONSISTENT_DIT | | The replication operation encountered a database inconsistency. |
| 8444 | 0x000020FC | ERROR_DS_DRA_CONNECTION_FAILED | | The server specified for this replication operation could not be contacted. |
| 8445 | 0x000020FD | ERROR_DS_DRA_BAD_INSTANCE_TYPE | | The replication operation encountered an object with an invalid instance type. |
| 8446 | 0x000020FE | ERROR_DS_DRA_OUT_OF_MEM | | The replication operation failed to allocate memory. |
| 8447 | 0x000020FF | ERROR_DS_DRA_MAIL_PROBLEM | | The replication operation encountered an error with the mail system. |

| | | Error | | Description |
|---------|-------------|--|--|---|
| decimal | Hexadecimal | Name | | |
| 8448 | 0x00002100 | ERROR_DS_DRA_REF_ALREADY_EXISTS | | The replication reference information for the target server already exists. |
| 8449 | 0x00002101 | ERROR_DS_DRA_REF_NOT_FOUND | | The replication reference information for the target server does not exist. |
| 8450 | 0x00002102 | ERROR_DS_DRA_OBJ_IS_REP_SOURCE | | The naming context cannot be removed because it is replicated to another server. |
| 8451 | 0x00002103 | ERROR_DS_DRA_DB_ERROR | | The replication operation encountered a database error. |
| 8452 | 0x00002104 | ERROR_DS_DRA_NO_REPLICA | | The naming context is in the process of being removed or is not replicated from the specified server. |
| 8453 | 0x00002105 | ERROR_DS_DRA_ACCESS_DENIED | | Replication access was denied. |
| 8454 | 0x00002106 | ERROR_DS_DRA_NOT_SUPPORTED | | The requested operation is not supported by this version of the directory service. |
| 8455 | 0x00002107 | ERROR_DS_DRA_RPC_CANCELLED | | The replication remote procedure call was cancelled. |
| 8456 | 0x00002108 | ERROR_DS_DRA_SOURCE_DISABLED | | The source server is currently rejecting replication requests. |
| 8457 | 0x00002109 | ERROR_DS_DRA_SINK_DISABLED | | The destination server is currently rejecting replication requests. |
| 8458 | 0x0000210A | ERROR_DS_DRA_NAME_COLLISION | | The replication operation failed due to a collision of object names. |
| 8459 | 0x0000210B | ERROR_DS_DRA_SOURCE_REINSTALLED | | The replication source has been reinstalled. |
| 8460 | 0x0000210C | ERROR_DS_DRA_MISSING_PARENT | | The replication operation failed because a required parent object is missing. |
| 8461 | 0x0000210D | ERROR_DS_DRA_PREEMPTED | | The replication operation was preempted. |
| 8462 | 0x0000210E | ERROR_DS_DRA_ABANDON_SYNC | | The replication synchronization attempt was abandoned because of a lack of updates. |
| 8463 | 0x0000210F | ERROR_DS_DRA_SHUTDOWN | | The replication operation was terminated because the system is shutting down. |
| 8464 | 0x00002110 | ERROR_DS_DRA_INCOMPATIBLE_PARTIAL_SET | | The replication synchronization attempt failed as the destination partial attribute set is not a subset of source partial attribute set. |
| 8465 | 0x00002111 | ERROR_DS_DRA_SOURCE_IS_PARTIAL_REPLICA | | The replication synchronization attempt failed because a master replica attempted to sync from a partial replica. |
| 8466 | 0x00002112 | ERROR_DS_DRA_EXTN_CONNECTION_FAILED | | The server specified for this replication operation was contacted, but that server was unable to contact an additional server needed to complete the operation. |
| 8467 | 0x00002113 | ERROR_DS_INSTALL_SCHEMA_MISMATCH | | The version of the Active Directory schema of the source forest is not compatible with the version of Active Directory on this computer. You must upgrade the operating system on a domain controller in the source forest before this computer can be added as a domain controller to that forest. |
| 8468 | 0x00002114 | ERROR_DS_DUP_LINK_ID | | Schema update failed: An attribute with the same link identifier already exists. |
| 8469 | 0x00002115 | ERROR_DS_NAME_ERROR_RESOLVING | | Name translation: Generic processing error. |
| 8470 | 0x00002116 | ERROR_DS_NAME_ERROR_NOT_FOUND | | Name translation: Could not find the name or insufficient right to see name. |
| 8471 | 0x00002117 | ERROR_DS_NAME_ERROR_NOT_UNIQUE | | Name translation: Input name mapped to more than one output name. |
| 8472 | 0x00002118 | ERROR_DS_NAME_ERROR_NO_MAPPING | | Name translation: Input name found, but not the associated output format. |
| 8473 | 0x00002119 | ERROR_DS_NAME_ERROR_DOMAIN_ONLY | | Name translation: Unable to resolve completely, only the domain was found. |
| 8474 | 0x0000211A | ERROR_DS_NAME_ERROR_NO_SYNTACTICAL_MAPPING | | Name translation: Unable to perform purely syntactical mapping at the client without going out to the wire. |
| 8475 | 0x0000211B | ERROR_DS_CONSTRUCTED_ATT_MOD | | Modification of a constructed att is not allowed. |
| 8476 | 0x0000211C | ERROR_DS_WRONG_OM_OBJ_CLASS | | The OM-Object-Class specified is incorrect for an attribute with the specified syntax. |
| 8477 | 0x0000211D | ERROR_DS_DRA_REPL_PENDING | | The replication request has been posted; waiting for reply. |

| Error | | | Description |
|---------|-------------|--|--|
| decimal | Hexadecimal | Name | |
| 8478 | 0x0000211E | ERROR_DS_DS_REQUIRED | The requested operation requires a directory service, and none was available. |
| 8479 | 0x0000211F | ERROR_DS_INVALID_LDAP_DISPLAY_NAME | The LDAP display name of the class or attribute contains non-ASCII characters. |
| 8480 | 0x00002120 | ERROR_DS_NON_BASE_SEARCH | The requested search operation is only supported for base searches. |
| 8481 | 0x00002121 | ERROR_DS_CANT_RETRIEVE_ATTS | The search failed to retrieve attributes from the database. |
| 8482 | 0x00002122 | ERROR_DS_BACKLINK_WITHOUT_LINK | The schema update operation tried to add a backward link attribute that has no corresponding forward link. |
| 8483 | 0x00002123 | ERROR_DS_EPOCH_MISMATCH | Source and destination of a cross domain move do not agree on the object's epoch number. Either source or destination does not have the latest version of the object. |
| 8484 | 0x00002124 | ERROR_DS_SRC_NAME_MISMATCH | Source and destination of a cross domain move do not agree on the object's current name. Either source or destination does not have the latest version of the object. |
| 8485 | 0x00002125 | ERROR_DS_SRC_AND_DST_NC_IDENTICAL | Source and destination of a cross domain move operation are identical. Caller should use local move operation instead of cross domain move operation. |
| 8486 | 0x00002126 | ERROR_DS_DST_NC_MISMATCH | Source and destination for a cross domain move are not in agreement on the naming contexts in the forest. Either source or destination does not have the latest version of the Partitions container. |
| 8487 | 0x00002127 | ERROR_DS_NOT_AUTHORITY_FOR_DST_NC | Destination of a cross domain move is not authoritative for the destination naming context. |
| 8488 | 0x00002128 | ERROR_DS_SRC_GUID_MISMATCH | Source and destination of a cross domain move do not agree on the identity of the source object. Either source or destination does not have the latest version of the source object. |
| 8489 | 0x00002129 | ERROR_DS_CANT_MOVE_DELETED_OBJECT | Object being moved across domains is already known to be deleted by the destination server. The source server does not have the latest version of the source object. |
| 8490 | 0x0000212A | ERROR_DS_PDC_OPERATION_IN_PROGRESS | Another operation which requires exclusive access to the PDC PSMD is already in progress. |
| 8491 | 0x0000212B | ERROR_DS_CROSS_DOMAIN_CLEANUP_REQD | A cross domain move operation failed such that the two versions of the moved object exist - one each in the source and destination domains. The destination object needs to be removed to restore the system to a consistent state. |
| 8492 | 0x0000212C | ERROR_DS_ILLEGAL_XDOM_MOVE_OPERATION | This object may not be moved across domain boundaries either because cross domain moves for this class are disallowed, or the object has some special characteristics, eg: trust account or restricted RID, which prevent its move. |
| 8493 | 0x0000212D | ERROR_DS_CANT_WITH_ACCT_GROUP_MEMBERSHPS | Can't move objects with memberships across domain boundaries as once moved, this would violate the membership conditions of the account group. Remove the object from any account group memberships and retry. |
| 8494 | 0x0000212E | ERROR_DS_NC_MUST_HAVE_NC_PARENT | A naming context head must be the immediate child of another naming context head, not of an interior node. |
| 8495 | 0x0000212F | ERROR_DS_CR_IMPOSSIBLE_TO_VALIDATE | The directory cannot validate the proposed naming context name because it does not hold a replica of the naming context above the proposed naming context. Please ensure that the domain naming master role is held by a server that is configured as a global catalog server, and that the server is up to date with its replication partners. (Applies only to Windows 2000 Domain Naming masters) |
| 8496 | 0x00002130 | ERROR_DS_DST_DOMAIN_NOT_NATIVE | Destination domain must be in native mode. |

| Error | | | Description |
|----------------|--------------------|---|--|
| decimal | Hexadecimal | Name | |
| 8497 | 0x00002131 | ERROR_DS_MISSING_INFRASTRUCTURE_CONTAINER | The operation can not be performed because the server does not have an infrastructure container in the domain of interest. |
| 8498 | 0x00002132 | ERROR_DS_CANT_MOVE_ACCOUNT_GROUP | Cross-domain move of non-empty account groups is not allowed. |
| 8499 | 0x00002133 | ERROR_DS_CANT_MOVE_RESOURCE_GROUP | Cross-domain move of non-empty resource groups is not allowed. |

| | | Error | | Description |
|---------|-------------|---|--|--|
| decimal | Hexadecimal | Name | | |
| 8500 | 0x00002134 | ERROR_DS_INVALID_SEARCH_FLAG | | The search flags for the attribute are invalid. The ANR bit is valid only on attributes of Unicode or Teletex strings. |
| 8501 | 0x00002135 | ERROR_DS_NO_TREE_DELETE_ABOVE_NC | | Tree deletions starting at an object which has an NC head as a descendant are not allowed. |
| 8502 | 0x00002136 | ERROR_DS_COULDNT_LOCK_TREE_FOR_DELETE | | The directory service failed to lock a tree in preparation for a tree deletion because the tree was in use. |
| 8503 | 0x00002137 | ERROR_DS_COULDNT_IDENTIFY_OBJECTS_FOR_TREE_DELETE | | The directory service failed to identify the list of objects to delete while attempting a tree deletion. |
| 8504 | 0x00002138 | ERROR_DS_SAM_INIT_FAILURE | | Security Accounts Manager initialization failed because of the following error: %1. Error Status: 0x%2. Click OK to shut down the system and reboot into Directory Services Restore Mode. Check the event log for detailed information. |
| 8505 | 0x00002139 | ERROR_DS_SENSITIVE_GROUP_VIOLATION | | Only an administrator can modify the membership list of an administrative group. |
| 8506 | 0x0000213A | ERROR_DS_CANT_MOD_PRIMARYGROUPID | | Cannot change the primary group ID of a domain controller account. |
| 8507 | 0x0000213B | ERROR_DS_ILLEGAL_BASE_SCHEMA_MOD | | An attempt is made to modify the base schema. |
| 8508 | 0x0000213C | ERROR_DS_NONSAFE_SCHEMA_CHANGE | | Adding a new mandatory attribute to an existing class, deleting a mandatory attribute from an existing class, or adding an optional attribute to the special class Top that is not a backlink attribute (directly or through inheritance, for example, by adding or deleting an auxiliary class) is not allowed. |
| 8509 | 0x0000213D | ERROR_DS_SCHEMA_UPDATE_DISALLOWED | | Schema update is not allowed on this DC because the DC is not the schema FSMO Role Owner. |
| 8510 | 0x0000213E | ERROR_DS_CANT_CREATE_UNDER_SCHEMA | | An object of this class cannot be created under the schema container. You can only create attribute-schema and class-schema objects under the schema container. |
| 8511 | 0x0000213F | ERROR_DS_INSTALL_NO_SRC_SCH_VERSION | | The replica/child install failed to get the objectVersion attribute on the schema container on the source DC. Either the attribute is missing on the schema container or the credentials supplied do not have permission to read it. |
| 8512 | 0x00002140 | ERROR_DS_INSTALL_NO_SCH_VERSION_IN_INIFILE | | The replica/child install failed to read the objectVersion attribute in the SCHEMA section of the file schema.ini in the system32 directory. |
| 8513 | 0x00002141 | ERROR_DS_INVALID_GROUP_TYPE | | The specified group type is invalid. |
| 8514 | 0x00002142 | ERROR_DS_NO_NEST_GLOBALGROUP_IN_MIXEDDOMAIN | | Cannot nest global groups in a mixed domain if the group is security-enabled. |
| 8515 | 0x00002143 | ERROR_DS_NO_NEST_LOCALGROUP_IN_MIXEDDOMAIN | | Cannot nest local groups in a mixed domain if the group is security-enabled. |
| 8516 | 0x00002144 | ERROR_DS_GLOBAL_CANT_HAVE_LOCAL_MEMBER | | A global group cannot have a local group as a member. |
| 8517 | 0x00002145 | ERROR_DS_GLOBAL_CANT_HAVE_UNIVERSAL_MEMBER | | A global group cannot have a universal group as a member. |
| 8518 | 0x00002146 | ERROR_DS_UNIVERSAL_CANT_HAVE_LOCAL_MEMBER | | A universal group cannot have a local group as a member. |
| 8519 | 0x00002147 | ERROR_DS_GLOBAL_CANT_HAVE_CROSSDOMAIN_MEMBER | | A global group cannot have a cross-domain member. |
| 8520 | 0x00002148 | ERROR_DS_LOCAL_CANT_HAVE_CROSSDOMAIN_LOCAL_MEMBER | | A local group cannot have another cross-domain local group as a member. |
| 8521 | 0x00002149 | ERROR_DS_HAVE_PRIMARY_MEMBERS | | A group with primary members cannot change to a security-disabled group. |
| 8522 | 0x0000214A | ERROR_DS_STRING_SD_CONVERSION_FAILED | | The schema cache load failed to convert the string default SD on a class-schema object. |
| 8523 | 0x0000214B | ERROR_DS_NAMING_MASTER_GC | | Only DSAs configured to be Global Catalog servers should be allowed to hold the Domain Naming Master FSMO role. (Applies only to Windows 2000 servers) |
| 8524 | 0x0000214C | ERROR_DS_LOOKUP_FAILURE | | The DSA operation is unable to proceed because of a DNS lookup failure. |

| | | Error | | Description |
|---------|-------------|--|--|---|
| decimal | Hexadecimal | Name | | |
| 8525 | 0x0000214D | ERROR_DS_COULDNT_UPDATE_SPNS | | While processing a change to the DNS Host Name for an object, the Service Principal Name values could not be kept in sync. |
| 8526 | 0x0000214E | ERROR_DS_CANT_RETRIEVE_SD | | The Security Descriptor attribute could not be read. |
| 8527 | 0x0000214F | ERROR_DS_KEY_NOT_UNIQUE. | | The object requested was not found, but an object with that key was found. |
| 8528 | 0x00002150 | ERROR_DS_WRONG_LINKED_ATT_SYNTAX | | The syntax of the linked attributed being added is incorrect. Forward links can only have syntax 2.5.5.1, 2.5.5.7, and 2.5.5.14, and backlinks can only have syntax 2.5.5.1. |
| 8529 | 0x00002151 | ERROR_DS_SAM_NEED_BOOTKEY_PASSWOR D | | Security Account Manager needs to get the boot password. |
| 8530 | 0x00002152 | ERROR_DS_SAM_NEED_BOOTKEY_FLOPPY | | Security Account Manager needs to get the boot key from floppy disk. |
| 8531 | 0x00002153 | ERROR_DS_CANT_START | | Directory Service cannot start. |
| 8532 | 0x00002154 | ERROR_DS_INIT_FAILURE | | Directory Services could not start. |
| 8533 | 0x00002155 | ERROR_DS_NO_PKT_PRIVACY_ON_CONNECTI ON | | The connection between client and server requires packet privacy or better. |
| 8534 | 0x00002156 | ERROR_DS_SOURCE_DOMAIN_IN_FOREST | | The source domain may not be in the same forest as destination. |
| 8535 | 0x00002157 | ERROR_DS_DESTINATION_DOMAIN_NOT_IN_F OREST | | The destination domain must be in the forest. |
| 8536 | 0x00002158 | ERROR_DS_DESTINATION_AUDITING_NOT_EN ABLED | | The operation requires that destination domain auditing be enabled. |
| 8537 | 0x00002159 | ERROR_DS_CANT_FIND_DC_FOR_SRC_DOMAI N | | The operation couldn't locate a DC for the source domain. |
| 8538 | 0x0000215A | ERROR_DS_SRC_OBJ_NOT_GROUP_OR_USER | | The source object must be a group or user. |
| 8539 | 0x0000215B | ERROR_DS_SRC_SID_EXISTS_IN_FOREST | | The source object's SID already exists in destination forest. |
| 8540 | 0x0000215C | ERROR_DS_SRC_AND_DST_OBJECT_CLASS_M ISMATCH | | The source and destination object must be of the same type. |
| 8541 | 0x0000215D | ERROR_SAM_INIT_FAILURE | | Security Accounts Manager initialization failed because of the following error: %1. Error Status: 0x%2. Click OK to shut down the system and reboot into Safe Mode. Check the event log for detailed information. |
| 8542 | 0x0000215E | ERROR_DS_DRA_SCHEMA_INFO_SHIP | | Schema information could not be included in the replication request. |
| 8543 | 0x0000215F | ERROR_DS_DRA_SCHEMA_CONFLICT | | The replication operation could not be completed due to a schema incompatibility. |
| 8544 | 0x00002160 | ERROR_DS_DRA_EARLIER_SCHEMA_CONFLICT | | The replication operation could not be completed due to a previous schema incompatibility. |
| 8545 | 0x00002161 | ERROR_DS_DRA_OBJ_NC_MISMATCH | | The replication update could not be applied because either the source or the destination has not yet received information regarding a recent cross-domain move operation. |
| 8546 | 0x00002162 | ERROR_DS_NC_STILL_HAS_DSAS | | The requested domain could not be deleted because there exist domain controllers that still host this domain. |
| 8547 | 0x00002163 | ERROR_DS_GC_REQUIRED | | The requested operation can be performed only on a global catalog server. |
| 8548 | 0x00002164 | ERROR_DS_LOCAL_MEMBER_OF_LOCAL_ONL Y | | A local group can only be a member of other local groups in the same domain. |
| 8549 | 0x00002165 | ERROR_DS_NO_FPO_IN_UNIVERSAL_GROUPS | | Foreign security principals cannot be members of universal groups. |
| 8550 | 0x00002166 | ERROR_DS_CANT_ADD_TO_GC | | The attribute is not allowed to be replicated to the GC because of security reasons. |
| 8551 | 0x00002167 | ERROR_DS_NO_CHECKPOINT_WITH_PDC | | The checkpoint with the PDC could not be taken because there are too many modifications being processed currently. |
| 8552 | 0x00002168 | ERROR_DS_SOURCE_AUDITING_NOT_ENABLE D | | The operation requires that source domain auditing be enabled. |
| 8553 | 0x00002169 | ERROR_DS_CANT_CREATE_IN_NONDOMAIN_N C | | Security principal objects can only be created inside domain naming contexts. |

| | | Error | | Description |
|---------|-------------|---|--|---|
| decimal | Hexadecimal | Name | | |
| 8554 | 0x0000216A | ERROR_DS_INVALID_NAME_FOR_SPN | | A Service Principal Name (SPN) could not be constructed because the provided hostname is not in the necessary format. |
| 8555 | 0x0000216B | ERROR_DS_FILTER_USES_CONSTRUCTED_ATTRIBUTES | | A Filter was passed that uses constructed attributes. |
| 8556 | 0x0000216C | ERROR_DS_UNICODEPWD_NOT_IN_QUOTES | | The unicodePwd attribute value must be enclosed in double quotes. |
| 8557 | 0x0000216D | ERROR_DS_MACHINE_ACCOUNT_QUOTA_EXCEEDED | | Your computer could not be joined to the domain. You have exceeded the maximum number of computer accounts you are allowed to create in this domain. Contact your system administrator to have this limit reset or increased. |
| 8558 | 0x0000216E | ERROR_DS_MUST_BE_RUN_ON_DST_DC | | For security reasons, the operation must be run on the destination DC. |
| 8559 | 0x0000216F | ERROR_DS_SRC_DC_MUST_BE_SP4_OR_GREATER | | For security reasons, the source DC must be NT4SP4 or greater. |
| 8560 | 0x00002170 | ERROR_DS_CANT_TREE_DELETE_CRITICAL_OBJ | | Critical Directory Service System objects cannot be deleted during tree delete operations. The tree delete may have been partially performed. |
| 8561 | 0x00002171 | ERROR_DS_INIT_FAILURE_CONSOLE | | Directory Services could not start because of the following error: %1. Error Status: 0x%2. Please click OK to shutdown the system. You can use the recovery console to diagnose the system further. |
| 8562 | 0x00002172 | ERROR_DS_SAM_INIT_FAILURE_CONSOLE | | Security Accounts Manager initialization failed because of the following error: %1. Error Status: 0x%2. Please click OK to shutdown the system. You can use the recovery console to diagnose the system further. |
| 8563 | 0x00002173 | ERROR_DS_FOREST_VERSION_TOO_HIGH | | This version of Windows is too old to support the current directory forest behavior. You must upgrade the operating system on this server before it can become a domain controller in this forest. |
| 8564 | 0x00002174 | ERROR_DS_DOMAIN_VERSION_TOO_HIGH | | This version of Windows is too old to support the current domain behavior. You must upgrade the operating system on this server before it can become a domain controller in this domain. |
| 8565 | 0x00002175 | ERROR_DS_FOREST_VERSION_TOO_LOW | | This version of Windows no longer supports the behavior version in use in this directory forest. You must advance the forest behavior version before this server can become a domain controller in the forest. |
| 8566 | 0x00002176 | ERROR_DS_DOMAIN_VERSION_TOO_LOW | | This version of Windows no longer supports the behavior version in use in this domain. You must advance the domain behavior version before this server can become a domain controller in the domain. |
| 8567 | 0x00002177 | ERROR_DS_INCOMPATIBLE_VERSION | | The version of Windows is incompatible with the behavior version of the domain or forest. |
| 8568 | 0x00002178 | ERROR_DS_LOW_DSA_VERSION | | The behavior version cannot be increased to the requested value because Domain Controllers still exist with versions lower than the requested value. |
| 8569 | 0x00002179 | ERROR_DS_NO_BEHAVIOR_VERSION_IN_MIXEDDOMAIN | | The behavior version value cannot be increased while the domain is still in mixed domain mode. You must first change the domain to native mode before increasing the behavior version. |
| 8570 | 0x0000217A | ERROR_DS_NOT_SUPPORTED_SORT_ORDER | | The sort order requested is not supported. |
| 8571 | 0x0000217B | ERROR_DS_NAME_NOT_UNIQUE | | Found an object with a non unique name. |
| 8572 | 0x0000217C | ERROR_DS_MACHINE_ACCOUNT_CREATED_PRENT4 | | The machine account was created pre-NT4. The account needs to be recreated. |
| 8573 | 0x0000217D | ERROR_DS_OUT_OF_VERSION_STORE | | The database is out of version store. |
| 8574 | 0x0000217E | ERROR_DS_INCOMPATIBLE_CONTROLS_USED | | Unable to continue operation because multiple conflicting controls were used. |
| 8575 | 0x0000217F | ERROR_DS_NO_REF_DOMAIN | | Unable to find a valid security descriptor reference domain for this partition. |

| Error | | | Description |
|---------|-------------|---|--|
| decimal | Hexadecimal | Name | |
| 8576 | 0x00002180 | ERROR_DS_RESERVED_LINK_ID | Schema update failed: The link identifier is reserved. |
| 8577 | 0x00002181 | ERROR_DS_LINK_ID_NOT_AVAILABLE | Schema update failed: There are no link identifiers available. |
| 8578 | 0x00002182 | ERROR_DS_AG_CANT_HAVE_UNIVERSAL_MEMBER | An account group can not have a universal group as a member. |
| 8579 | 0x00002183 | ERROR_DS_MODIFYDN_DISALLOWED_BY_INSTANCE_TYPE | Rename or move operations on naming context heads or read-only objects are not allowed. |
| 8580 | 0x00002184 | ERROR_DS_NO_OBJECT_MOVE_IN_SCHEMA_NAMESPACE | Move operations on objects in the schema naming context are not allowed. |
| 8581 | 0x00002185 | ERROR_DS_MODIFYDN_DISALLOWED_BY_FLAG | A system flag has been set on the object and does not allow the object to be moved or renamed. |
| 8582 | 0x00002186 | ERROR_DS_MODIFYDN_WRONG_GRANDPARENT | This object is not allowed to change its grandparent container. Moves are not forbidden on this object, but are restricted to sibling containers. |
| 8583 | 0x00002187 | ERROR_DS_NAME_ERROR_TRUST_REFERRAL | Unable to resolve completely, a referral to another forest is generated. |
| 8584 | 0x00002188 | ERROR_NOT_SUPPORTED_ON_STANDARD_SERVER | The requested action is not supported on standard server. |
| 8585 | 0x00002189 | ERROR_DS_CANT_ACCESS_REMOTE_PART_OF_AD | Could not access a partition of the Active Directory located on a remote server. Make sure at least one server is running for the partition in question. |
| 8586 | 0x0000218A | ERROR_DS_CR_IMPOSSIBLE_TO_VALIDATE_V2 | The directory cannot validate the proposed naming context (or partition) name because it does not hold a replica nor can it contact a replica of the naming context above the proposed naming context. Please ensure that the parent naming context is properly registered in DNS, and at least one replica of this naming context is reachable by the Domain Naming master. |
| 8587 | 0x0000218B | ERROR_DS_THREAD_LIMIT_EXCEEDED | The thread limit for this request was exceeded. |
| 8588 | 0x0000218C | ERROR_DS_NOT_CLOSEST | The Global catalog server is not in the closet site. |

| | | Error | Description |
|---------|-------------|--|---|
| decimal | Hexadecimal | Name | |
| 9001 | 0x00002329 | DNS_ERROR_RCODE_FORMAT_ERROR | DNS server unable to interpret format. |
| 9002 | 0x0000232A | DNS_ERROR_RCODE_SERVER_FAILURE | DNS server failure. |
| 9003 | 0x0000232B | DNS_ERROR_RCODE_NAME_ERROR | DNS name does not exist. |
| 9004 | 0x0000232C | DNS_ERROR_RCODE_NOT_IMPLEMENTED | DNS request not supported by name server. |
| 9005 | 0x0000232D | DNS_ERROR_RCODE_REFUSED | DNS operation refused. |
| 9006 | 0x0000232E | DNS_ERROR_RCODE_YXDOMAIN | DNS name that ought not exist, does exist. |
| 9007 | 0x0000232F | DNS_ERROR_RCODE_YXRRSET | DNS RR set that ought not exist, does exist. |
| 9008 | 0x00002330 | DNS_ERROR_RCODE_NXRRSET | DNS RR set that ought to exist, does not exist. |
| 9009 | 0x00002331 | DNS_ERROR_RCODE_NOTAUTH | DNS server not authoritative for zone. |
| 9010 | 0x00002332 | DNS_ERROR_RCODE_NOTZONE | DNS name in update or prereq is not in zone. |
| 9016 | 0x00002338 | DNS_ERROR_RCODE_BADSIG | DNS signature failed to verify. |
| 9017 | 0x00002339 | DNS_ERROR_RCODE_BADKEY | DNS bad key. |
| 9018 | 0x0000233A | DNS_ERROR_RCODE_BADTIME | DNS signature validity expired. |
| 9501 | 0x0000251D | DNS_INFO_NO_RECORDS | No records found for given DNS query. |
| 9502 | 0x0000251E | DNS_ERROR_BAD_PACKET | Bad DNS packet. |
| 9503 | 0x0000251F | DNS_ERROR_NO_PACKET | No DNS packet. |
| 9504 | 0x00002520 | DNS_ERROR_RCODE | DNS error, check rcode. |
| 9505 | 0x00002521 | DNS_ERROR_UNSECURE_PACKET | Unsecured DNS packet. |
| 9551 | 0x0000254F | DNS_ERROR_INVALID_TYPE | Invalid DNS type. |
| 9552 | 0x00002550 | DNS_ERROR_INVALID_IP_ADDRESS | Invalid IP address. |
| 9553 | 0x00002551 | DNS_ERROR_INVALID_PROPERTY | Invalid property. |
| 9554 | 0x00002552 | DNS_ERROR_TRY_AGAIN_LATER | Try DNS operation again later. |
| 9555 | 0x00002553 | DNS_ERROR_NOT_UNIQUE | Record for given name and type is not unique. |
| 9556 | 0x00002554 | DNS_ERROR_NON_RFC_NAME | DNS name does not comply with RFC specifications. |
| 9557 | 0x00002555 | DNS_STATUS_FQDN | DNS name is a fully-qualified DNS name. |
| 9558 | 0x00002556 | DNS_STATUS_DOTTED_NAME | DNS name is dotted (multi-label). |
| 9559 | 0x00002557 | DNS_STATUS_SINGLE_PART_NAME | DNS name is a single-part name. |
| 9560 | 0x00002558 | DNS_ERROR_INVALID_NAME_CHAR | DSN name contains an invalid character. |
| 9561 | 0x00002559 | DNS_ERROR_NUMERIC_NAME | DNS name is entirely numeric. |
| 9601 | 0x00002581 | DNS_ERROR_ZONE_DOES_NOT_EXIST | DNS zone does not exist. |
| 9602 | 0x00002582 | DNS_ERROR_NO_ZONE_INFO | DNS zone information not available. |
| 9603 | 0x00002583 | DNS_ERROR_INVALID_ZONE_OPERATION | Invalid operation for DNS zone. |
| 9604 | 0x00002584 | DNS_ERROR_ZONE_CONFIGURATION_ERROR | Invalid DNS zone configuration. |
| 9605 | 0x00002585 | DNS_ERROR_ZONE_HAS_NO_SOA_RECORD | DNS zone has no start of authority (SOA) record. |
| 9606 | 0x00002586 | DNS_ERROR_ZONE_HAS_NO_NS_RECORDS | DNS zone has no name server (NS) record. |
| 9607 | 0x00002587 | DNS_ERROR_ZONE_LOCKED | DNS zone is locked. |
| 9608 | 0x00002588 | DNS_ERROR_ZONE_CREATION_FAILED | DNS zone creation failed. |
| 9609 | 0x00002589 | DNS_ERROR_ZONE_ALREADY_EXISTS | DNS zone already exists. |
| 9610 | 0x0000258A | DNS_ERROR_AUTOZONE_ALREADY_EXISTS | DNS automatic zone already exists. |
| 9611 | 0x0000258B | DNS_ERROR_INVALID_ZONE_TYPE | Invalid DNS zone type. |
| 9612 | 0x0000258C | DNS_ERROR_SECONDARY_REQUIRES_MASTER_IP | Secondary DNS zone requires master IP address. |
| 9613 | 0x0000258D | DNS_ERROR_ZONE_NOT_SECONDARY | DNS zone not secondary. |
| 9614 | 0x0000258E | DNS_ERROR_NEED_SECONDARY_ADDRESSES | Need secondary IP address. |
| 9615 | 0x0000258F | DNS_ERROR_WINS_INIT_FAILED | WINS initialization failed. |
| 9616 | 0x00002590 | DNS_ERROR_NEED_WINS_SERVERS | Need WINS servers. |
| 9617 | 0x00002591 | DNS_ERROR_NBSTAT_INIT_FAILED | NBSTAT initialization call failed. |
| 9618 | 0x00002592 | DNS_ERROR_SOA_DELETE_INVALID | Invalid delete of start of authority (SOA) |
| 9619 | 0x00002593 | DNS_ERROR_FORWARDER_ALREADY_EXISTS | A conditional forwarding zone already exists for that name. |
| 9651 | 0x000025B3 | DNS_ERROR_PRIMARY_REQUIRES_DATAFILE | Primary DNS zone requires datafile. |
| 9652 | 0x000025B4 | DNS_ERROR_INVALID_DATAFILE_NAME | Invalid datafile name for DNS zone. |
| 9653 | 0x000025B5 | DNS_ERROR_DATAFILE_OPEN_FAILURE | Failed to open datafile for DNS zone. |
| 9654 | 0x000025B6 | DNS_ERROR_FILE_WRITEBACK_FAILED | Failed to write datafile for DNS zone. |
| 9655 | 0x000025B7 | DNS_ERROR_DATAFILE_PARSING | Failure while reading datafile for DNS zone. |
| 9701 | 0x000025E5 | DNS_ERROR_RECORD_DOES_NOT_EXIST | DNS record does not exist. |
| 9702 | 0x000025E6 | DNS_ERROR_RECORD_FORMAT | DNS record format error. |

| | | Error | Description |
|---------|-------------|------------------------------------|---|
| decimal | Hexadecimal | Name | |
| 9703 | 0x000025E7 | DNS_ERROR_NODE_CREATION_FAILED | Node creation failure in DNS. |
| 9704 | 0x000025E8 | DNS_ERROR_UNKNOWN_RECORD_TYPE | Unknown DNS record type. |
| 9705 | 0x000025E9 | DNS_ERROR_RECORD_TIMED_OUT | DNS record timed out. |
| 9706 | 0x000025EA | DNS_ERROR_NAME_NOT_IN_ZONE | Name not in DNS zone. |
| 9707 | 0x000025EB | DNS_ERROR_CNAME_LOOP | CNAME loop detected. |
| 9708 | 0x000025EC | DNS_ERROR_NODE_IS_CNAME | Node is a CNAME DNS record. |
| 9709 | 0x000025ED | DNS_ERROR_CNAME_COLLISION | A CNAME record already exists for given name. |
| 9710 | 0x000025EE | DNS_ERROR_RECORD_ONLY_AT_ZONE_ROOT | Record only at DNS zone root. |
| 9711 | 0x000025EF | DNS_ERROR_RECORD_ALREADY_EXISTS | DNS record already exists. |
| 9712 | 0x000025F0 | DNS_ERROR_SECONDARY_DATA | Secondary DNS zone data error. |
| 9713 | 0x000025F1 | DNS_ERROR_NO_CREATE_CACHE_DATA | Could not create DNS cache data. |
| 9714 | 0x000025F2 | DNS_ERROR_NAME_DOES_NOT_EXIST | DNS name does not exist. |
| 9715 | 0x000025F3 | DNS_WARNING_PTR_CREATE_FAILED | Could not create pointer (PTR) record. |
| 9716 | 0x000025F4 | DNS_WARNING_DOMAIN_UNDELETED | DNS domain was undeleted. |
| 9717 | 0x000025F5 | DNS_ERROR_DS_UNAVAILABLE | The directory service is unavailable. |
| 9718 | 0x000025F6 | DNS_ERROR_DS_ZONE_ALREADY_EXISTS | DNS zone already exists in the directory service. |
| 9719 | 0x000025F7 | DNS_ERROR_NO_BOOTFILE_IF_DS_ZONE | DNS server not creating or reading the boot file for the directory service integrated DNS zone. |
| 9751 | 0x00002617 | DNS_INFO_AXFR_COMPLETE | DNS AXFR (zone transfer) complete. |
| 9752 | 0x00002618 | DNS_ERROR_AXFR | DNS zone transfer failed. |
| 9753 | 0x00002619 | DNS_INFO_ADDED_LOCAL_WINS | Added local WINS server. |
| 9801 | 0x00002649 | DNS_STATUS_CONTINUE_NEEDED | Secure update call needs to continue update request. |
| 9851 | 0x0000267B | DNS_ERROR_NO_TCPIP | TCP/IP network protocol not installed. |
| 9852 | 0x0000267C | DNS_ERROR_NO_DNS_SERVERS | No DNS servers configured for local system. |
| 9901 | 0x000026AD | DNS_ERROR_DP_DOES_NOT_EXIST | The specified directory partition does not exist. |
| 9902 | 0x000026AE | DNS_ERROR_DP_ALREADY_EXISTS | The specified directory partition already exists. |
| 9903 | 0x000026AF | DNS_ERROR_DP_NOT_ENLISTED | The DS is not enlisted in the specified directory partition. |
| 9904 | 0x000026B0 | DNS_ERROR_DP_ALREADY_ENLISTED | The DS is already enlisted in the specified directory partition. |

| | | Error | | Description |
|---------|-------------|--------------------|--|--|
| decimal | Hexadecimal | Name | | |
| 10004 | 0x00002714 | WSAEINTR | | A blocking operation was interrupted by a call to WSACancelBlockingCall. |
| 10009 | 0x00002719 | WSAEBADF | | The file handle supplied is not valid. |
| 10013 | 0x0000271D | WSAEACCES | | An attempt was made to access a socket in a way forbidden by its access permissions. |
| 10014 | 0x0000271E | WSAEFAULT | | The system detected an invalid pointer address in attempting to use a pointer argument in a call. |
| 10022 | 0x00002726 | WSAEINVAL | | An invalid argument was supplied. |
| 10024 | 0x00002728 | WSAEMFILE | | Too many open sockets. |
| 10035 | 0x00002733 | WSAEWOULDBLOCK | | A non-blocking socket operation could not be completed immediately. |
| 10036 | 0x00002734 | WSAEINPROGRESS | | A blocking operation is currently executing. |
| 10037 | 0x00002735 | WSAEALREADY | | An operation was attempted on a non-blocking socket that already had an operation in progress. |
| 10038 | 0x00002736 | WSAENOTSOCK | | An operation was attempted on something that is not a socket. |
| 10039 | 0x00002737 | WSAEDESTADDRREQ | | A required address was omitted from an operation on a socket. |
| 10040 | 0x00002738 | WSAEMSGSIZE | | A message sent on a datagram socket was larger than the internal message buffer or some other network limit, or the buffer used to receive a datagram into was smaller than the datagram itself. |
| 10041 | 0x00002739 | WSAEPROTOTYPE | | A protocol was specified in the socket function call that does not support the semantics of the socket type requested. |
| 10042 | 0x0000273A | WSAENOPROTOOPT | | An unknown, invalid, or unsupported option or level was specified in a getsockopt or setsockopt call. |
| 10043 | 0x0000273B | WSAEPROTONOSUPPORT | | The requested protocol has not been configured into the system, or no implementation for it exists. |
| 10044 | 0x0000273C | WSAESOCKTNOSUPPORT | | The support for the specified socket type does not exist in this address family. |
| 10045 | 0x0000273D | WSAEOPNOTSUPP | | The attempted operation is not supported for the type of object referenced. |
| 10046 | 0x0000273E | WSAEPFNOSUPPORT | | The protocol family has not been configured into the system or no implementation for it exists. |
| 10047 | 0x0000273F | WSAEAFNOSUPPORT | | An address incompatible with the requested protocol was used. |
| 10048 | 0x00002740 | WSAEADDRINUSE | | Only one usage of each socket address (protocol/network address/port) is normally permitted. |
| 10049 | 0x00002741 | WSAEADDRNOTAVAIL | | The requested address is not valid in its context. |
| 10050 | 0x00002742 | WSAENETDOWN | | A socket operation encountered a dead network. |
| 10051 | 0x00002743 | WSAENETUNREACH | | A socket operation was attempted to an unreachable network. |
| 10052 | 0x00002744 | WSAENETRESET | | The connection has been broken due to keep-alive activity detecting a failure while the operation was in progress. |
| 10053 | 0x00002745 | WSAECONNABORTED | | An established connection was aborted by the software in your host machine. |
| 10054 | 0x00002746 | WSAECONNRESET | | An existing connection was forcibly closed by the remote host. |
| 10055 | 0x00002747 | WSAENOBUFS | | An operation on a socket could not be performed because the system lacked sufficient buffer space or because a queue was full. |
| 10056 | 0x00002748 | WSAEISCONN | | A connect request was made on an already connected socket. |
| 10057 | 0x00002749 | WSAENOTCONN | | A request to send or receive data was disallowed because the socket is not connected and (when sending on a datagram socket using a sendto call) no address was supplied. |
| 10058 | 0x0000274A | WSAESHUTDOWN | | A request to send or receive data was disallowed because the socket had already been shut down in that direction with a previous shutdown call. |
| 10059 | 0x0000274B | WSAETOOMANYREFS | | Too many references to some kernel object. |

| | | Error | | Description |
|---------|-------------|---------------------------|--|---|
| decimal | Hexadecimal | Name | | |
| 10060 | 0x0000274C | WSAETIMEDOUT | | A connection attempt failed because the connected party did not properly respond after a period of time, or established connection failed because connected host has failed to respond. |
| 10061 | 0x0000274D | WSAECONNREFUSED | | No connection could be made because the target machine actively refused it. |
| 10062 | 0x0000274E | WSAELOOP | | Cannot translate name. |
| 10063 | 0x0000274F | WSAENAMETOOLONG | | Name component or name was too long. |
| 10064 | 0x00002750 | WSAEHOSTDOWN | | A socket operation failed because the destination host was down. |
| 10065 | 0x00002751 | WSAEHOSTUNREACH | | A socket operation was attempted to an unreachable host. |
| 10066 | 0x00002752 | WSAENOTEMPTY | | Cannot remove a directory that is not empty. |
| 10067 | 0x00002753 | WSAEPROCLIM | | A Windows Sockets implementation may have a limit on the number of applications that may use it simultaneously. |
| 10068 | 0x00002754 | WSAEUSERS | | Ran out of quota. |
| 10069 | 0x00002755 | WSAEDQUOT | | Ran out of disk quota. |
| 10070 | 0x00002756 | WSAESTALE | | File handle reference is no longer available. |
| 10071 | 0x00002757 | WSAEREMOTE | | Item is not available locally. |
| 10091 | 0x0000276B | WSASYSNOTREADY | | WSAStartup cannot function at this time because the underlying system it uses to provide network services is currently unavailable. |
| 10092 | 0x0000276C | WSAVERNOTSUPPORTED | | The Windows Sockets version requested is not supported. |
| 10093 | 0x0000276D | WSANOTINITIALISED | | Either the application has not called WSAStartup, or WSAStartup failed. |
| 10101 | 0x00002775 | WSAEDISCON | | Returned by WSARcv or WSARcvFrom to indicate the remote party has initiated a graceful shutdown sequence. |
| 10102 | 0x00002776 | WSAENOMORE | | No more results can be returned by WSALookupServiceNext. |
| 10103 | 0x00002777 | WSAECANCELLED | | A call to WSALookupServiceEnd was made while this call was still processing. The call has been canceled. |
| 10104 | 0x00002778 | WSAEINVALIDPROCTABLE | | The procedure call table is invalid. |
| 10105 | 0x00002779 | WSAEINVALIDPROVIDER | | The requested service provider is invalid. |
| 10106 | 0x0000277A | WSAEPROVIDERFAILEDINIT | | The requested service provider could not be loaded or initialized. |
| 10107 | 0x0000277B | WSASYSCALLFAILURE | | A system call that should never fail has failed. |
| 10108 | 0x0000277C | WSASERVICE_NOT_FOUND | | No such service is known. The service cannot be found in the specified name space. |
| 10109 | 0x0000277D | WSATYPE_NOT_FOUND | | The specified class was not found. |
| 10110 | 0x0000277E | WSA_E_NO_MORE | | No more results can be returned by WSALookupServiceNext. |
| 10111 | 0x0000277F | WSA_E_CANCELLED | | A call to WSALookupServiceEnd was made while this call was still processing. The call has been canceled. |
| 10112 | 0x00002780 | WSAEREFUSED | | A database query failed because it was actively refused. |
| 11001 | 0x00002AF9 | WSAHOST_NOT_FOUND | | No such host is known. |
| 11002 | 0x00002AFA | WSATRY_AGAIN | | This is usually a temporary error during hostname resolution and means that the local server did not receive a response from an authoritative server. |
| 11003 | 0x00002AFB | WSANO_RECOVERY | | A non-recoverable error occurred during a database lookup. |
| 11004 | 0x00002AFC | WSANO_DATA | | The requested name is valid and was found in the database, but it does not have the correct associated data being resolved for. |
| 11005 | 0x00002AFD | WSA_QOS_RECEIVERS | | At least one reserve has arrived. |
| 11006 | 0x00002AFE | WSA_QOS_SENDERS | | At least one path has arrived. |
| 11007 | 0x00002AFF | WSA_QOS_NO_SENDERS | | There are no senders. |
| 11008 | 0x00002B00 | WSA_QOS_NO_RECEIVERS | | There are no receivers. |
| 11009 | 0x00002B01 | WSA_QOS_REQUEST_CONFIRMED | | Reserve has been confirmed. |

| Error | | | Description |
|---------|-------------|----------------------------|---|
| decimal | Hexadecimal | Name | |
| 11010 | 0x00002B02 | WSA_QOS_ADMISSION_FAILURE | Error due to lack of resources. |
| 11011 | 0x00002B03 | WSA_QOS_POLICY_FAILURE | Rejected for administrative reasons - bad credentials. |
| 11012 | 0x00002B04 | WSA_QOS_BAD_STYLE | Unknown or conflicting style. |
| 11013 | 0x00002B05 | WSA_QOS_BAD_OBJECT | Problem with some part of the filterspec or providerspecific buffer in general. |
| 11014 | 0x00002B06 | WSA_QOS_TRAFFIC_CTRL_ERROR | Problem with some part of the flowspec. |
| 11015 | 0x00002B07 | WSA_QOS_GENERIC_ERROR | General QOS error. |
| 11016 | 0x00002B08 | WSA_QOS_ESERVICETYPE | An invalid or unrecognized service type was found in the flowspec. |
| 11017 | 0x00002B09 | WSA_QOS_EFLOWSPEC | An invalid or inconsistent flowspec was found in the QOS structure. |
| 11018 | 0x00002B0A | WSA_QOS_EPROVSPECBUF | Invalid QOS provider-specific buffer. |
| 11019 | 0x00002B0B | WSA_QOS_EFILTERSTYLE | An invalid QOS filter style was used. |
| 11020 | 0x00002B0C | WSA_QOS_EFILTERTYPE | An invalid QOS filter type was used. |
| 11021 | 0x00002B0D | WSA_QOS_EFILTERCOUNT | An incorrect number of QOS FILTERSPECs were specified in the FLOWDESCRIPTOR. |
| 11022 | 0x00002B0E | WSA_QOS_EOBJLENGTH | An object with an invalid ObjectLength field was specified in the QOS provider-specific buffer. |
| 11023 | 0x00002B0F | WSA_QOS_EFLOWCOUNT | An incorrect number of flow descriptors was specified in the QOS structure. |
| 11024 | 0x00002B10 | WSA_QOS_EUNKNOWNPSOBJ | An unrecognized object was found in the QOS provider-specific buffer. |
| 11025 | 0x00002B11 | WSA_QOS_EPOLICYOBJ | An invalid policy object was found in the QOS provider-specific buffer. |
| 11026 | 0x00002B12 | WSA_QOS_EFLOWDESC | An invalid QOS flow descriptor was found in the flow descriptor list. |
| 11027 | 0x00002B13 | WSA_QOS_EPSFLOWSPEC | An invalid or inconsistent flowspec was found in the QOS provider-specific buffer. |
| 11028 | 0x00002B14 | WSA_QOS_EPSFILTERSPEC | An invalid FILTERSPEC was found in the QOS provider-specific buffer. |
| 11029 | 0x00002B15 | WSA_QOS_ESDMODEOBJ | An invalid shape discard mode object was found in the QOS provider-specific buffer. |
| 11030 | 0x00002B16 | WSA_QOS_ESHAPERATEOBJ | An invalid shaping rate object was found in the QOS provider-specific buffer. |
| 11031 | 0x00002B17 | WSA_QOS_RESERVED_PETYPE | A reserved policy element was found in the QOS provider-specific buffer. |

| Error | | | Description |
|---------|-------------|--|---|
| decimal | Hexadecimal | Name | |
| 12000 | 0x00002EE0 | ERROR_SXS_SECTION_NOT_FOUND | The requested section was not present in the activation context. |
| 12001 | 0x00002EE1 | ERROR_SXS_CANT_GEN_ACTCTX | This application has failed to start because the application configuration is incorrect. Reinstalling the application may fix this problem. |
| 12002 | 0x00002EE2 | ERROR_SXS_INVALID_ACTCTXDATA_FORMAT | The application binding data format is invalid. |
| 12003 | 0x00002EE3 | ERROR_SXS_ASSEMBLY_NOT_FOUND | The referenced assembly is not installed on your system. |
| 12004 | 0x00002EE4 | ERROR_SXS_MANIFEST_FORMAT_ERROR | The manifest file does not begin with the required tag and format information. |
| 12005 | 0x00002EE5 | ERROR_SXS_MANIFEST_PARSE_ERROR | The manifest file contains one or more syntax errors. |
| 12006 | 0x00002EE6 | ERROR_SXS_ACTIVATION_CONTEXT_DISABLED | The application attempted to activate a disabled activation context. |
| 12007 | 0x00002EE7 | ERROR_SXS_KEY_NOT_FOUND | The requested lookup key was not found in any active activation context. |
| 12008 | 0x00002EE8 | ERROR_SXS_VERSION_CONFLICT | A component version required by the application conflicts with another component version already active. |
| 12009 | 0x00002EE9 | ERROR_SXS_WRONG_SECTION_TYPE | The type requested activation context section does not match the query API used. |
| 12010 | 0x00002EEA | ERROR_SXS_THREAD_QUERIES_DISABLED | Lack of system resources has required isolated activation to be disabled for the current thread of execution. |
| 12011 | 0x00002EEB | ERROR_SXS_PROCESS_DEFAULT_ALREADY_SET | An attempt to set the process default activation context failed because the process default activation context was already set. |
| 12012 | 0x00002EEC | ERROR_SXS_UNKNOWN_ENCODING_GROUP | The encoding group identifier specified is not recognized. |
| 12013 | 0x00002EED | ERROR_SXS_UNKNOWN_ENCODING | The encoding requested is not recognized. |
| 12014 | 0x00002EEE | ERROR_SXS_INVALID_XML_NAMESPACE_URI | The manifest contains a reference to an invalid URI. |
| 12015 | 0x00002EEF | ERROR_SXS_ROOT_MANIFEST_DEPENDENCY_NOT_INSTALLED | The application manifest contains a reference to a dependent assembly which is not installed. |
| 12016 | 0x00002EF0 | ERROR_SXS_LEAF_MANIFEST_DEPENDENCY_NOT_INSTALLED | The manifest for an assembly used by the application has a reference to a dependent assembly which is not installed. |
| 12017 | 0x00002EF1 | ERROR_SXS_INVALID_ASSEMBLY_IDENTITY_ATTRIBUTE | The manifest contains an attribute for the assembly identity which is not valid. |
| 12018 | 0x00002EF2 | ERROR_SXS_MANIFEST_MISSING_REQUIRED_DEFAULT_NAMESPACE | The manifest is missing the required default namespace specification on the assembly element. |
| 12019 | 0x00002EF3 | ERROR_SXS_MANIFEST_INVALID_REQUIRED_DEFAULT_NAMESPACE | The manifest has a default namespace specified on the assembly element but its value is not "urn:schemas-microsoft-com:asm.v1". |
| 12020 | 0x00002EF4 | ERROR_SXS_PRIVATE_MANIFEST_CROSS_PATH_WITH_REPARSE_POINT | The private manifest probe has crossed the reparse-point-associated path. |
| 12021 | 0x00002EF5 | ERROR_SXS_DUPLICATE_DLL_NAME | Two or more components referenced directly or indirectly by the application manifest have files by the same name. |
| 12022 | 0x00002EF6 | ERROR_SXS_DUPLICATE_WINDOWCLASS_NAME | Two or more components referenced directly or indirectly by the application manifest have window classes with the same name. |
| 12023 | 0x00002EF7 | ERROR_SXS_DUPLICATE_CLSID | Two or more components referenced directly or indirectly by the application manifest have the same COM server CLSIDs. |
| 12024 | 0x00002EF8 | ERROR_SXS_DUPLICATE_IID | Two or more components referenced directly or indirectly by the application manifest have proxies for the same COM interface IIDs. |
| 12025 | 0x00002EF9 | ERROR_SXS_DUPLICATE_TLBID | Two or more components referenced directly or indirectly by the application manifest have the same COM type library TLBIDs. |
| 12026 | 0x00002EFA | ERROR_SXS_DUPLICATE_PROGID | Two or more components referenced directly or indirectly by the application manifest have the same COM ProgIDs. |

| | | Error | | Description |
|---------|-------------|--|--|---|
| decimal | Hexadecimal | Name | | |
| 12027 | 0x00002EFB | ERROR_SXS_DUPLICATE_ASSEMBLY_NAME | | Two or more components referenced directly or indirectly by the application manifest are different versions of the same component which is not permitted. |
| 12028 | 0x00002EFC | ERROR_SXS_FILE_HASH_MISMATCH | | A component's file does not match the verification information present in the component manifest. |
| 12029 | 0x00002EFD | ERROR_SXS_POLICY_PARSE_ERROR | | The policy manifest contains one or more syntax errors. |
| 12030 | 0x00002EFE | ERROR_SXS_XML_E_MISSINGQUOTE | | Manifest Parse Error : A string literal was expected, but no opening quote character was found. |
| 12031 | 0x00002EFF | ERROR_SXS_XML_E_COMMENTSyntax | | Manifest Parse Error : Incorrect syntax was used in a comment. |
| 12032 | 0x00002F00 | ERROR_SXS_XML_E_BADSTARTNAMECHAR | | Manifest Parse Error : A name was started with an invalid character. |
| 12033 | 0x00002F01 | ERROR_SXS_XML_E_BADNAMECHAR | | Manifest Parse Error : A name contained an invalid character. |
| 12034 | 0x00002F02 | ERROR_SXS_XML_E_BADCHARINSTRING | | Manifest Parse Error : A string literal contained an invalid character. |
| 12035 | 0x00002F03 | ERROR_SXS_XML_E_XMLDECLSYNTAX | | Manifest Parse Error : Invalid syntax for an XML declaration. |
| 12036 | 0x00002F04 | ERROR_SXS_XML_E_BADCHARDATA | | Manifest Parse Error : An invalid character was found in text content. |
| 12037 | 0x00002F05 | ERROR_SXS_XML_E_MISSINGWHITESPACE | | Manifest Parse Error : Required white space was missing. |
| 12038 | 0x00002F06 | ERROR_SXS_XML_E_EXPECTINGTAGEND | | Manifest Parse Error : The character '>' was expected. |
| 12039 | 0x00002F07 | ERROR_SXS_XML_E_MISSINGSEMICOLON | | Manifest Parse Error : A semi colon character was expected. |
| 12040 | 0x00002F08 | ERROR_SXS_XML_E_UNBALANCEDPAREN | | Manifest Parse Error : Unbalanced parentheses. |
| 12041 | 0x00002F09 | ERROR_SXS_XML_E_INTERNALERROR | | Manifest Parse Error : Internal error. |
| 12042 | 0x00002F0A | ERROR_SXS_XML_E_UNEXPECTED_WHITESPACE | | Manifest Parse Error : White space is not allowed at this location. |
| 12043 | 0x00002F0B | ERROR_SXS_XML_E_INCOMPLETE_ENCODING | | Manifest Parse Error : End of file reached in invalid state for current encoding. |
| 12044 | 0x00002F0C | ERROR_SXS_XML_E_MISSING_PAREN | | Manifest Parse Error : Missing parenthesis. |
| 12045 | 0x00002F0D | ERROR_SXS_XML_E_EXPECTINGCLOSEQUOTE | | Manifest Parse Error : A single or double closing quote character (' or ") is missing. |
| 12046 | 0x00002F0E | ERROR_SXS_XML_E_MULTIPLE_COLONS | | Manifest Parse Error : Multiple colons are not allowed in a name. |
| 12047 | 0x00002F0F | ERROR_SXS_XML_E_INVALID_DECIMAL | | Manifest Parse Error : Invalid character for decimal digit. |
| 12048 | 0x00002F10 | ERROR_SXS_XML_E_INVALID_HEXIDECIMAL | | Manifest Parse Error : Invalid character for hexadecimal digit. |
| 12049 | 0x00002F11 | ERROR_SXS_XML_E_INVALID_UNICODE | | Manifest Parse Error : Invalid Unicode character value for this platform. |
| 12050 | 0x00002F12 | ERROR_SXS_XML_E_WHITESPACEORQUESTIONMARK | | Manifest Parse Error : Expecting white space or '?'. |
| 12051 | 0x00002F13 | ERROR_SXS_XML_E_UNEXPECTEDENDTAG | | Manifest Parse Error : End tag was not expected at this location. |
| 12052 | 0x00002F14 | ERROR_SXS_XML_E_UNCLOSEDTAG | | Manifest Parse Error : The following tags were not closed: %1. |
| 12053 | 0x00002F15 | ERROR_SXS_XML_E_DUPLICATEATTRIBUTE | | Manifest Parse Error : Duplicate attribute. |
| 12054 | 0x00002F16 | ERROR_SXS_XML_E_MULTIPLEROOTS | | Manifest Parse Error : Only one top level element is allowed in an XML document. |
| 12055 | 0x00002F17 | ERROR_SXS_XML_E_INVALIDATROOTLEVEL | | Manifest Parse Error : Invalid at the top level of the document. |
| 12056 | 0x00002F18 | ERROR_SXS_XML_E_BADXMLDECL | | Manifest Parse Error : Invalid XML declaration. |
| 12057 | 0x00002F19 | ERROR_SXS_XML_E_MISSINGROOT | | Manifest Parse Error : XML document must have a top level element. |
| 12058 | 0x00002F1A | ERROR_SXS_XML_E_UNEXPECTEDEOF | | Manifest Parse Error : Unexpected end of file. |
| 12059 | 0x00002F1B | ERROR_SXS_XML_E_BADPEREFINSUBSET | | Manifest Parse Error : Parameter entities cannot be used inside markup declarations in an internal subset. |
| 12060 | 0x00002F1C | ERROR_SXS_XML_E_UNCLOSEDSTARTTAG | | Manifest Parse Error : Element was not closed. |

| | | Error | Description |
|---------|-------------|---|---|
| decimal | Hexadecimal | Name | |
| 12061 | 0x00002F1D | ERROR_SXS_XML_E_UNCLOSEDENDTAG | Manifest Parse Error : End element was missing the character '>'. |
| 12062 | 0x00002F1E | ERROR_SXS_XML_E_UNCLOSEDSTRING | Manifest Parse Error : A string literal was not closed. |
| 12063 | 0x00002F1F | ERROR_SXS_XML_E_UNCLOSEDCOMMENT | Manifest Parse Error : A comment was not closed. |
| 12064 | 0x00002F20 | ERROR_SXS_XML_E_UNCLOSEDDECL | Manifest Parse Error : A declaration was not closed. |
| 12065 | 0x00002F21 | ERROR_SXS_XML_E_UNCLOSEDCDATA | Manifest Parse Error : A CDATA section was not closed. |
| 12066 | 0x00002F22 | ERROR_SXS_XML_E_RESERVEDNAMESPACE | Manifest Parse Error : The namespace prefix is not allowed to start with the reserved string "xml". |
| 12067 | 0x00002F23 | ERROR_SXS_XML_E_INVALIDENCODING | Manifest Parse Error : System does not support the specified encoding. |
| 12068 | 0x00002F24 | ERROR_SXS_XML_E_INVALIDSWITCH | Manifest Parse Error : Switch from current encoding to specified encoding not supported. |
| 12069 | 0x00002F25 | ERROR_SXS_XML_E_BADXMLCASE | Manifest Parse Error : The name 'xml' is reserved and must be lower case. |
| 12070 | 0x00002F26 | ERROR_SXS_XML_E_INVALID_STANDALONE | Manifest Parse Error : The standalone attribute must have the value 'yes' or 'no'. |
| 12071 | 0x00002F27 | ERROR_SXS_XML_E_UNEXPECTED_STANDALONE | Manifest Parse Error : The standalone attribute cannot be used in external entities. |
| 12072 | 0x00002F28 | ERROR_SXS_XML_E_INVALID_VERSION | Manifest Parse Error : Invalid version number. |
| 12073 | 0x00002F29 | ERROR_SXS_XML_E_MISSINGEQUALS | Manifest Parse Error : Missing equals sign between attribute and attribute value. |
| 13000 | 0x000032C8 | ERROR_IPSEC_QM_POLICY_EXISTS | The specified quick mode policy already exists. |
| 13001 | 0x000032C9 | ERROR_IPSEC_QM_POLICY_NOT_FOUND | The specified quick mode policy was not found. |
| 13002 | 0x000032CA | ERROR_IPSEC_QM_POLICY_IN_USE | The specified quick mode policy is being used. |
| 13003 | 0x000032CB | ERROR_IPSEC_MM_POLICY_EXISTS | The specified main mode policy already exists. |
| 13004 | 0x000032CC | ERROR_IPSEC_MM_POLICY_NOT_FOUND | The specified main mode policy was not found. |
| 13005 | 0x000032CD | ERROR_IPSEC_MM_POLICY_IN_USE | The specified main mode policy is being used. |
| 13006 | 0x000032CE | ERROR_IPSEC_MM_FILTER_EXISTS | The specified main mode filter already exists. |
| 13007 | 0x000032CF | ERROR_IPSEC_MM_FILTER_NOT_FOUND | The specified main mode filter was not found. |
| 13008 | 0x000032D0 | ERROR_IPSEC_TRANSPORT_FILTER_EXISTS | The specified transport mode filter already exists. |
| 13009 | 0x000032D1 | ERROR_IPSEC_TRANSPORT_FILTER_NOT_FOUND | The specified transport mode filter does not exist. |
| 13010 | 0x000032D2 | ERROR_IPSEC_MM_AUTH_EXISTS | The specified main mode authentication list exists. |
| 13011 | 0x000032D3 | ERROR_IPSEC_MM_AUTH_NOT_FOUND | The specified main mode authentication list was not found. |
| 13012 | 0x000032D4 | ERROR_IPSEC_MM_AUTH_IN_USE | The specified quick mode policy is being used. |
| 13013 | 0x000032D5 | ERROR_IPSEC_DEFAULT_MM_POLICY_NOT_FOUND | The specified main mode policy was not found. |
| 13014 | 0x000032D6 | ERROR_IPSEC_DEFAULT_MM_AUTH_NOT_FOUND | The specified quick mode policy was not found. |
| 13015 | 0x000032D7 | ERROR_IPSEC_DEFAULT_QM_POLICY_NOT_FOUND | The manifest file contains one or more syntax errors. |
| 13016 | 0x000032D8 | ERROR_IPSEC_TUNNEL_FILTER_EXISTS | The application attempted to activate a disabled activation context. |
| 13017 | 0x000032D9 | ERROR_IPSEC_TUNNEL_FILTER_NOT_FOUND | The requested lookup key was not found in any active activation context. |
| 13018 | 0x000032DA | ERROR_IPSEC_MM_FILTER_PENDING_DELETION | The Main Mode filter is pending deletion. |
| 13019 | 0x000032DB | ERROR_IPSEC_TRANSPORT_FILTER_PENDING_DELETION | The transport filter is pending deletion. |
| 13020 | 0x000032DC | ERROR_IPSEC_TUNNEL_FILTER_PENDING_DELETION | The tunnel filter is pending deletion. |
| 13021 | 0x000032DD | ERROR_IPSEC_MM_POLICY_PENDING_DELETION | The Main Mode policy is pending deletion. |
| 13022 | 0x000032DE | ERROR_IPSEC_MM_AUTH_PENDING_DELETION | The Main Mode authentication bundle is pending deletion. |
| 13023 | 0x000032DF | ERROR_IPSEC_QM_POLICY_PENDING_DELETION | The Quick Mode policy is pending deletion. |

| | | Error | | Description |
|---------|-------------|--|--|--|
| decimal | Hexadecimal | Name | | |
| 13801 | 0x000035E9 | ERROR_IPSEC_IKE_AUTH_FAIL | | IKE authentication credentials are unacceptable. |
| 13802 | 0x000035EA | ERROR_IPSEC_IKE_ATTRIB_FAIL | | IKE security attributes are unacceptable. |
| 13803 | 0x000035EB | ERROR_IPSEC_IKE_NEGOTIATION_PENDING | | IKE Negotiation in progress. |
| 13804 | 0x000035EC | ERROR_IPSEC_IKE_GENERAL_PROCESSING_ERROR | | General processing error. |
| 13805 | 0x000035ED | ERROR_IPSEC_IKE_TIMED_OUT | | Negotiation timed out. |
| 13806 | 0x000035EE | ERROR_IPSEC_IKE_NO_CERT | | IKE failed to find valid machine certificate. |
| 13807 | 0x000035EF | ERROR_IPSEC_IKE_SA_DELETED | | IKE SA deleted by peer before establishment completed. |
| 13808 | 0x000035F0 | ERROR_IPSEC_IKE_SA_REAPED | | IKE SA deleted before establishment completed. |
| 13809 | 0x000035F1 | ERROR_IPSEC_IKE_MM_ACQUIRE_DROP | | Negotiation request sat in Queue too long. |
| 13810 | 0x000035F2 | ERROR_IPSEC_IKE_QM_ACQUIRE_DROP | | Negotiation request sat in Queue too long. |
| 13811 | 0x000035F3 | ERROR_IPSEC_IKE_QUEUE_DROP_MM | | Negotiation request sat in Queue too long. |
| 13812 | 0x000035F4 | ERROR_IPSEC_IKE_QUEUE_DROP_NO_MM | | Negotiation request sat in Queue too long. |
| 13813 | 0x000035F5 | ERROR_IPSEC_IKE_DROP_NO_RESPONSE | | No response from peer. |
| 13814 | 0x000035F6 | ERROR_IPSEC_IKE_MM_DELAY_DROP | | Negotiation took too long. |
| 13815 | 0x000035F7 | ERROR_IPSEC_IKE_QM_DELAY_DROP | | Negotiation took too long. |
| 13816 | 0x000035F8 | ERROR_IPSEC_IKE_ERROR | | Unknown error occurred. |
| 13817 | 0x000035F9 | ERROR_IPSEC_IKE_CRL_FAILED | | Certificate Revocation Check failed. |
| 13818 | 0x000035FA | ERROR_IPSEC_IKE_INVALID_KEY_USAGE | | Invalid certificate key usage. |
| 13819 | 0x000035FB | ERROR_IPSEC_IKE_INVALID_CERT_TYPE | | Invalid certificate type. |
| 13820 | 0x000035FC | ERROR_IPSEC_IKE_NO_PRIVATE_KEY | | No private key associated with machine certificate. |
| 13822 | 0x000035FE | ERROR_IPSEC_IKE_DH_FAIL | | Failure in Diffie-Helman computation. |
| 13824 | 0x00003600 | ERROR_IPSEC_IKE_INVALID_HEADER | | Invalid header. |
| 13825 | 0x00003601 | ERROR_IPSEC_IKE_NO_POLICY | | No policy configured. |
| 13826 | 0x00003602 | ERROR_IPSEC_IKE_INVALID_SIGNATURE | | Failed to verify signature. |
| 13827 | 0x00003603 | ERROR_IPSEC_IKE_KERBEROS_ERROR | | Failed to authenticate using Kerberos. |
| 13828 | 0x00003604 | ERROR_IPSEC_IKE_NO_PUBLIC_KEY | | Peer's certificate did not have a public key. |
| 13829 | 0x00003605 | ERROR_IPSEC_IKE_PROCESS_ERR | | Error processing error payload. |
| 13830 | 0x00003606 | ERROR_IPSEC_IKE_PROCESS_ERR_SA | | Error processing SA payload. |
| 13831 | 0x00003607 | ERROR_IPSEC_IKE_PROCESS_ERR_PROP | | Error processing Proposal payload. |
| 13832 | 0x00003608 | ERROR_IPSEC_IKE_PROCESS_ERR_TRANS | | Error processing Transform payload. |
| 13833 | 0x00003609 | ERROR_IPSEC_IKE_PROCESS_ERR_KE | | Error processing KE payload. |
| 13834 | 0x0000360A | ERROR_IPSEC_IKE_PROCESS_ERR_ID | | Error processing ID payload. |
| 13835 | 0x0000360B | ERROR_IPSEC_IKE_PROCESS_ERR_CERT | | Error processing Cert payload. |
| 13836 | 0x0000360C | ERROR_IPSEC_IKE_PROCESS_ERR_CERT_REQ | | Error processing Certificate Request payload. |
| 13837 | 0x0000360D | ERROR_IPSEC_IKE_PROCESS_ERR_HASH | | Error processing Hash payload. |
| 13838 | 0x0000360E | ERROR_IPSEC_IKE_PROCESS_ERR_SIG | | Error processing Signature payload. |
| 13839 | 0x0000360F | ERROR_IPSEC_IKE_PROCESS_ERR_NONCE | | Error processing Nonce payload. |
| 13840 | 0x00003610 | ERROR_IPSEC_IKE_PROCESS_ERR_NOTIFY | | Error processing Notify payload. |
| 13841 | 0x00003611 | ERROR_IPSEC_IKE_PROCESS_ERR_DELETE | | Error processing Delete Payload. |
| 13842 | 0x00003612 | ERROR_IPSEC_IKE_PROCESS_ERR_VENDOR | | Error processing VendorId payload. |
| 13843 | 0x00003613 | ERROR_IPSEC_IKE_INVALID_PAYLOAD | | Invalid payload received. |
| 13844 | 0x00003614 | ERROR_IPSEC_IKE_LOAD_SOFT_SA | | Soft SA loaded. |
| 13845 | 0x00003615 | ERROR_IPSEC_IKE_SOFT_SA_TORN_DOWN | | Soft SA torn down. |
| 13846 | 0x00003616 | ERROR_IPSEC_IKE_INVALID_COOKIE | | Invalid cookie received.. |
| 13847 | 0x00003617 | ERROR_IPSEC_IKE_NO_PEER_CERT | | Peer failed to send valid machine certificate. |
| 13848 | 0x00003618 | ERROR_IPSEC_IKE_PEER_CRL_FAILED | | Certification Revocation check of peer's certificate failed. |
| 13849 | 0x00003619 | ERROR_IPSEC_IKE_POLICY_CHANGE | | New policy invalidated SAs formed with old policy. |
| 13850 | 0x0000361A | ERROR_IPSEC_IKE_NO_MM_POLICY | | There is no available Main Mode IKE policy. |
| 13851 | 0x0000361B | ERROR_IPSEC_IKE_NOTCBPRIV | | Failed to enabled TCB privilege. |
| 13852 | 0x0000361C | ERROR_IPSEC_IKE_SECLOADFAIL | | Failed to load SECURITY.DLL. |
| 13853 | 0x0000361D | ERROR_IPSEC_IKE_FAILSSPINIT | | Failed to obtain security function table dispatch address from SSPI. |
| 13854 | 0x0000361E | ERROR_IPSEC_IKE_FAILQUERYSSP | | Failed to query Kerberos package to obtain max token size. |

| Error | | | Description |
|---------|-------------|---|---|
| decimal | Hexadecimal | Name | |
| 13855 | 0x0000361F | ERROR_IPSEC_IKE_SRVACQFAIL | Failed to obtain Kerberos server credentials for ISAKMP/ERROR_IPSEC_IKE service. Kerberos authentication will not function. The most likely reason for this is lack of domain membership. This is normal if your computer is a member of a workgroup. |
| 13856 | 0x00003620 | ERROR_IPSEC_IKE_SRVQUERYCRED | Failed to determine SSPI principal name for ISAKMP/ERROR_IPSEC_IKE service (QueryCredentialsAttributes). |
| 13857 | 0x00003621 | ERROR_IPSEC_IKE_GETSPIFAIL | Failed to obtain new SPI for the inbound SA from Ipsec driver. The most common cause for this is that the driver does not have the correct filter. Check your policy to verify the filters. |
| 13858 | 0x00003622 | ERROR_IPSEC_IKE_INVALID_FILTER | Given filter is invalid. |
| 13859 | 0x00003623 | ERROR_IPSEC_IKE_OUT_OF_MEMORY | Memory allocation failed. |
| 13860 | 0x00003624 | ERROR_IPSEC_IKE_ADD_UPDATE_KEY_FAILED | Failed to add Security Association to IPsec Driver. The most common cause for this is if the IKE negotiation took too long to complete. If the problem persists, reduce the load on the faulting machine. |
| 13861 | 0x00003625 | ERROR_IPSEC_IKE_INVALID_POLICY | Invalid policy. |
| 13862 | 0x00003626 | ERROR_IPSEC_IKE_UNKNOWN_DOI | Invalid DOI. |
| 13863 | 0x00003627 | ERROR_IPSEC_IKE_INVALID_SITUATION | Invalid situation. |
| 13864 | 0x00003628 | ERROR_IPSEC_IKE_DH_FAILURE | Diffie-Hellman failure. |
| 13865 | 0x00003629 | ERROR_IPSEC_IKE_INVALID_GROUP | Invalid Diffie-Hellman group. |
| 13866 | 0x0000362A | ERROR_IPSEC_IKE_ENCRYPT | Error encrypting payload. |
| 13867 | 0x0000362B | ERROR_IPSEC_IKE_DECRYPT | Error decrypting payload. |
| 13868 | 0x0000362C | ERROR_IPSEC_IKE_POLICY_MATCH | Policy match error. |
| 13869 | 0x0000362D | ERROR_IPSEC_IKE_UNSUPPORTED_ID | Unsupported ID. |
| 13870 | 0x0000362E | ERROR_IPSEC_IKE_INVALID_HASH | Hash verification failed. |
| 13871 | 0x0000362F | ERROR_IPSEC_IKE_INVALID_HASH_ALG | Invalid hash algorithm. |
| 13872 | 0x00003630 | ERROR_IPSEC_IKE_INVALID_HASH_SIZE | Invalid hash size. |
| 13873 | 0x00003631 | ERROR_IPSEC_IKE_INVALID_ENCRYPT_ALG | Invalid encryption algorithm. |
| 13874 | 0x00003632 | ERROR_IPSEC_IKE_INVALID_AUTH_ALG | Invalid authentication algorithm. |
| 13875 | 0x00003633 | ERROR_IPSEC_IKE_INVALID_SIG | Invalid certificate signature. |
| 13876 | 0x00003634 | ERROR_IPSEC_IKE_LOAD_FAILED | Load failed. |
| 13877 | 0x00003635 | ERROR_IPSEC_IKE_RPC_DELETE | Deleted via RPC call. |
| 13878 | 0x00003636 | ERROR_IPSEC_IKE_BENIGN_REINIT | Temporary state created to perform reinitialization. This is not a real failure. |
| 13879 | 0x00003637 | ERROR_IPSEC_IKE_INVALID_RESPONDER_LIFETIME_NOTIFY | The lifetime value received in the Responder Lifetime Notify is below the Windows 2000 configured minimum value. Please fix the policy on the peer machine. |
| 13880 | 0x00003638 | ERROR_IPSEC_IKE_QM_LIMIT_REAP | SA reaped because QM limit was reached. |
| 13881 | 0x00003639 | ERROR_IPSEC_IKE_INVALID_CERT_KEYLEN | Key length in certificate is too small for configured security requirements. |
| 13882 | 0x0000363A | ERROR_IPSEC_IKE_MM_LIMIT | Max number of established MM SAs to peer exceeded. |
| 13883 | 0x0000363B | ERROR_IPSEC_IKE_NEGOTIATION_DISABLED | IKE received a policy that disables negotiation. |
| 13884 | 0x0000363C | ERROR_IPSEC_IKE_QM_LIMIT | Reached maximum quick mode limit for the main mode. New main mode will be started. |

More Information:
www.beckhoff.com/tf6250

Beckhoff Automation GmbH & Co. KG
Hülshorstweg 20
33415 Verl
Germany
Phone: +49 5246 9630
info@beckhoff.com
www.beckhoff.com

