

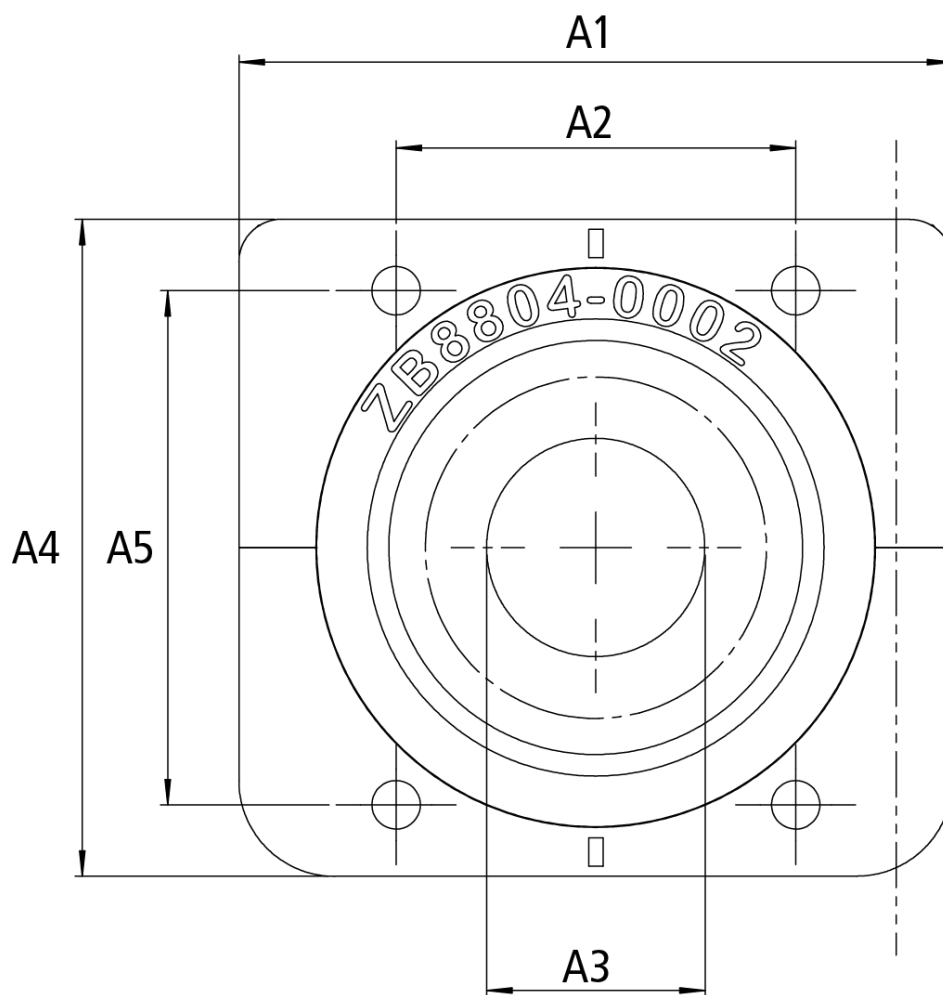
ZB8804-0002 | Panel feed-through

M12, wall/panel feed-through, straight



Mechanical data	
Accessories type	Panel feed-through
Installation size	M12
Connector type	wall/panel feed-through
Configuration	straight
Body color	black
Flange housing material	PA 66 UL 94 HB
Seal	TPE UL 94 HB
Environmental data	
Protection rating	IP65
Application Note	With this panel feed-through, connectors can be fed quickly and strain-relieved into a control cabinet, a device or through a bulkhead plate.

Dimensions

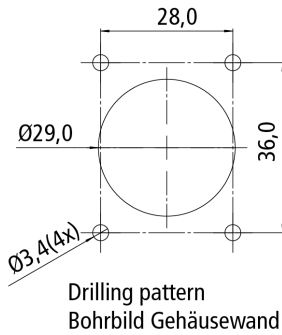


A1	50.00 mm
A2	28.00 mm
A3	Ø 15.3 mm
A4	46.00 mm
A5	36.00 mm

Notes

- Illustrations similar

Installation dimensions



Ordering information

ZB8804-0002

Flange / Panel feed-through for M12 Power pre-assembled, for fixing the connector, plastic

Beckhoff®, TwinCAT®, TwinCAT/BSD®, TC/BSD®, EtherCAT®, EtherCAT G®, EtherCAT G10®, EtherCAT P®, Safety over EtherCAT®, TwinSAFE®, XFC®, XTS® and XPlanar® are registered trademarks of and licensed by Beckhoff Automation GmbH. Other designations used in this publication may be trademarks whose use by third parties for their own purposes could violate the rights of the owners.

© Beckhoff Automation GmbH & Co. KG 06/2023

The information provided in this brochure contains merely general descriptions or characteristics of performance which in case of actual application do not always apply as described or which may change as a result of further development of the products. An obligation to provide the respective characteristics shall only exist if expressly agreed in the terms of contract.