

ZK1096-9696-0000 | Industrial Ethernet/EtherCAT G/G10 adapter and CP-Link 4 flange feed-through, Cat.5e/Cat.6/Cat.6A, RJ45



RJ45, socket, straight, female, 8-pin – RJ45, socket, straight, female, 8-pin

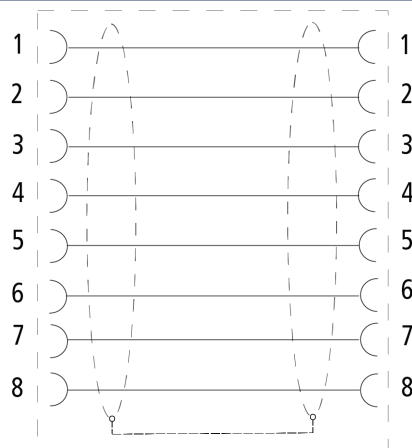


Plugs

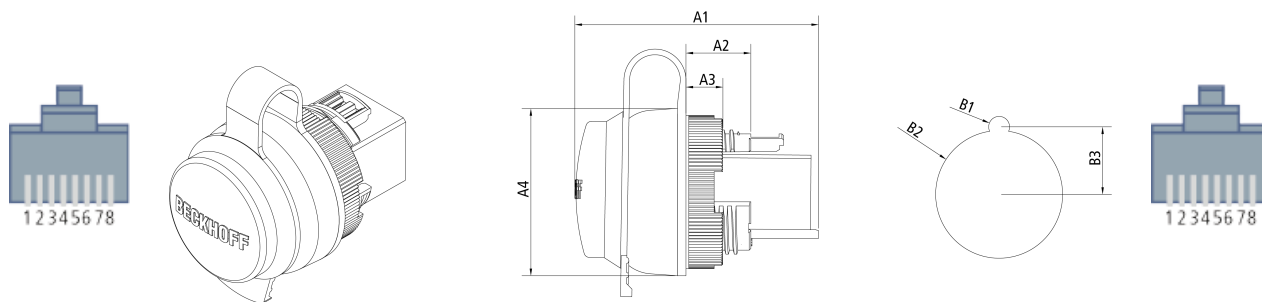
Electrical data	Head A	Head B
Rated voltage	60 V DC	60 V DC
Rated current	1.3 A at 40°C	1.3 A at 40°C
Voltage proof (contact/contact)	≥ 1000 V DC	≥ 1000 V DC
Voltage proof (contact/shield)	≥ 1500 V DC	≥ 1500 V DC
Shielding	yes	yes
Mechanical data		
Installation size	RJ45	RJ45
Connector type	socket	socket
Configuration	straight	straight
Contact type	female	female
Number of positions (face)	8-pin	8-pin
Mating cycles	≥ 750	≥ 750
Body color	black	black

Body material	PA UL 94 V0	PA UL 94 V0
Contact plating	Au over Ni	Au over Ni
Environmental data		
RoHS compliant	yes	yes
Ambient temperature (operation)	-40...+70 °C, -40...+158 °F	-40...+70 °C, -40...+158 °F
Protection rating	IP20 IP65 in closed state	IP20 IP65 in closed state

Contact assembly



Dimensions



A1	43.5 mm
A2	11.5 mm
A3	6.5 mm
A4	29.5 mm
B1	∅ 3.7 mm
B2	∅ 22.5 mm
B3	11.9 mm

Notes

- Illustrations similar

Ordering information	Verpackungseinheit
ZK1096-9696-0000	1 piece
ZK1096-9696-9001	100 pieces



Products marked with a crossed-out wheeled bin shall not be discarded with the normal waste stream. The device is considered as waste electrical and electronic equipment. The national regulations for the disposal of waste electrical and electronic equipment must be observed.

Beckhoff®, TwinCAT®, TwinCAT/BSD®, TC/BSD®, EtherCAT®, EtherCAT G®, EtherCAT G10®, EtherCAT P®, Safety over EtherCAT®, TwinSAFE®, XFC®, XTS® and XPlanar® are registered trademarks of and licensed by Beckhoff Automation GmbH. Other designations used in this publication may be trademarks whose use by third parties for their own purposes could violate the rights of the owners.

© Beckhoff Automation GmbH & Co. KG 05/2023

The information provided in this brochure contains merely general descriptions or characteristics of performance which in case of actual application do not always apply as described or which may change as a result of further development of the products. An obligation to provide the respective characteristics shall only exist if expressly agreed in the terms of contract.