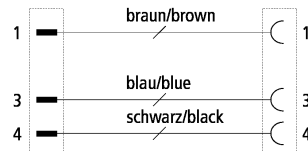


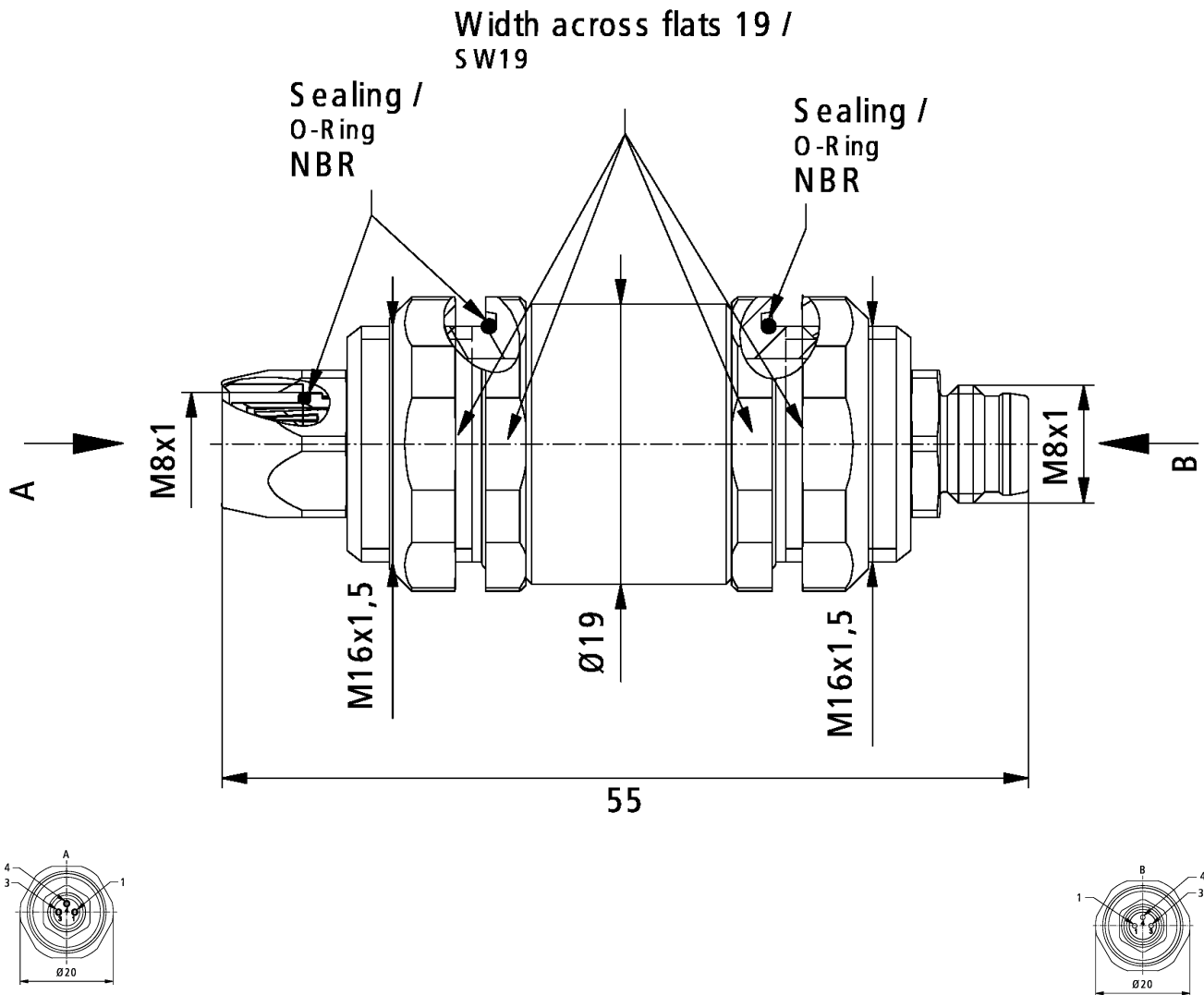
ZK2000-2122-0000 | Sensor adapter, flange

M8, plug, straight, male, 3-pin, A-coded – M8, socket, straight, female, 3-pin, A-coded

Electrical data	Head A	Head B
Rated voltage	60 V (according to IEC 61076-2-104)	60 V (according to IEC 61076-2-104)
Rated current	3 A at 40 °C (according to IEC 61076-2-104)	3 A at 40 °C (according to IEC 61076-2-104)
Rated current (signal/24V)	4 A at 40 °C (acc.to IEC 61076-2-104)	4 A at 40 °C (acc.to IEC 61076-2-104)
Shielding	no	no
Insulation resistance	≥ 10 GΩ (according to IEC 60512-2)	≥ 10 GΩ (according to IEC 60512-2)
Mechanical data		
Installation size	M8	M8
Connector type	plug	socket
Configuration	straight	straight
Contact type	male	female
Number of positions (face)	3-pin	3-pin
Coding	A-coded	A-coded
Wire termination	crimp connection	crimp connection
Recommended torque, nut	0.4 Nm	0.4 Nm
Mating cycles	≥ 100 (according to IEC 60512-9a)	≥ 100 (according to IEC 60512-9a)
Way of locking	screw	screw
Weight per piece	0.028 kg (0.0617 lb)	0.028 kg (0.0617 lb)
Coupling nut material	CuZn, Ni	CuZn, Ni
Seal	FPM	FPM
Contact carrier material	TPU GF, UL 94	TPU GF, UL 94
Contact plating	Ni, Au gal.	Ni, Au gal.
Contact material	CuZn	CuZn
Environmental data		
Special features	halogen-free, flame-resistant as per IEC 60332-1-2, oil-resistant as per DIN EN 60811-2-1	halogen-free, flame-resistant as per IEC 60332-1-2, oil-resistant as per DIN EN 60811-2-1
RoHS compliant	yes	yes
Ambient temperature (operation)	-30...+80 °C, -22...+176 °F	-30...+80 °C, -22...+176 °F
Protection class	IP 67 in screwed condition (according to IEC 60529)	IP 67 in screwed condition (according to IEC 60529)
Pollution level	3/2 (according to IEC 60664-1)	3/2 (according to IEC 60664-1)



Dimensions

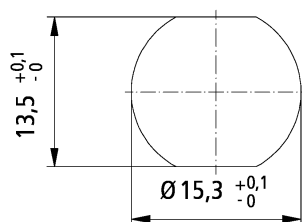


Notes

- Illustrations similar

Installation dimensions

Montageausschnitt / Panel cut out



Ordering information**ZK2000-2122-0000**

Sensor adapter, flange, M8, plug, straight, male, 3-pin – M8, socket, straight, female, 3-pin

Beckhoff®, TwinCAT®, EtherCAT®, EtherCAT G®, EtherCAT G10®, EtherCAT P®, Safety over EtherCAT®, TwinSAFE®, XFC®, XTS® and XPlanar® are registered trademarks of and licensed by Beckhoff Automation GmbH. Other designations used in this publication may be trademarks whose use by third parties for their own purposes could violate the rights of the owners.

© Beckhoff Automation GmbH & Co. KG 02/2021

The information provided in this brochure contains merely general descriptions or characteristics of performance which in case of actual application do not always apply as described or which may change as a result of further development of the products. An obligation to provide the respective characteristics shall only exist if expressly agreed in the terms of contract.