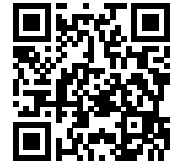
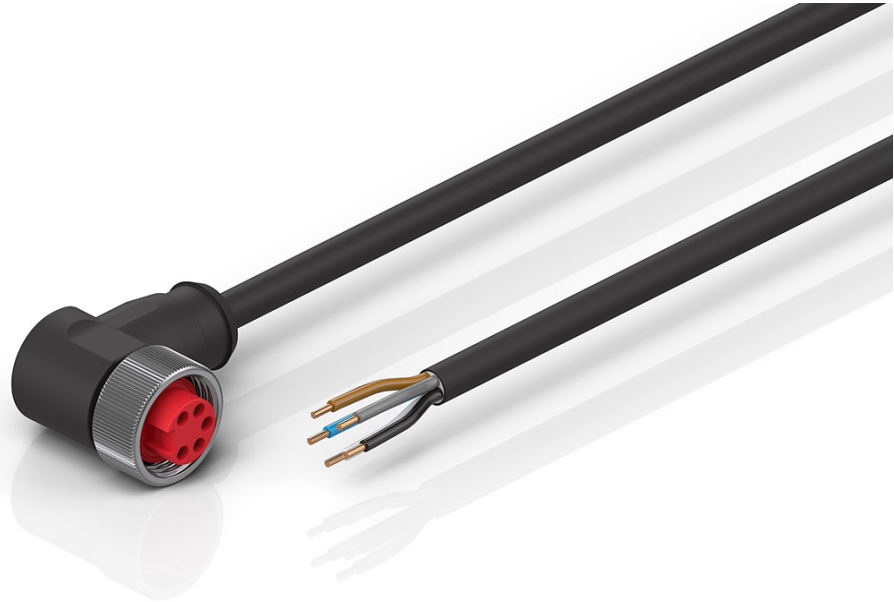


# ZK2030-1400-0xxx | Power cable, PUR, 5 x 1.5 mm<sup>2</sup>, drag-chain suitable



7/8"-16 UN, socket, angled, female, 5-pin, A-coded – open end, 5-wire



## Plugs

Electrical data	Head A	Head B
Rated voltage	300 V (according to IEC 60664-1)	-
Rated current	12 A at 40°C (according to IEC 60512-3), 10 A (according to UL2238)	-
Rated impulse voltage	2.5 kV	-
Shielding	no	-
Insulation resistance	≥ 100 MΩ (according to IEC 60512)	-
Mechanical data		
Installation size	7/8"-16 UN	open end
Connector type	socket	-
Configuration	angled	-
Contact type	female	-
Number of positions (face)	5-pin	5-wire
Coding	A-coded	-
Mating cycles	≥ 100 (according to IEC 60512-9a)	-

Way of locking	screw	-
Body color	black	-
Body material	TPU, UL 94	-
Coupling nut material	CuZn, Ni	-
Seal	FPM	-
Contact carrier color	red	-
Contact carrier material	TPU GF, UL 94	-
Contact plating	Ni, Au gal.	-
Contact material	CuZn	-
<b>Environmental data</b>		
Special features	halogen-free, flame-resistant as per IEC 60332-1-2, oil-resistant as per DIN EN 60811-2-1	-
RoHS compliant	yes	-
Ambient temperature (operation)	-30...+80°C, -22...+176°F	-
Protection rating	IP65/67 in screwed condition (according to IEC 60529)	-
Pollution level	3/2 (according to IEC 60664-1)	-

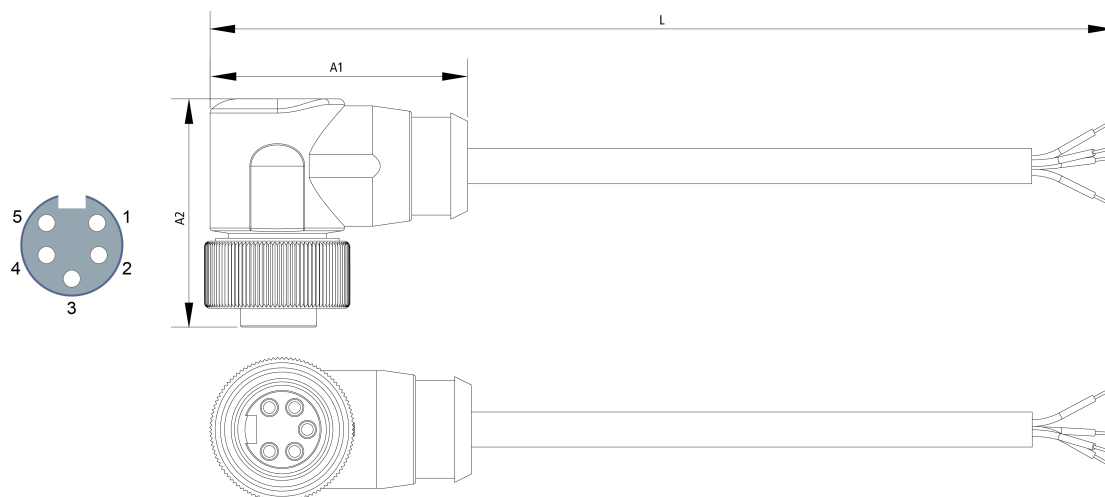
## Cable

<b>Electrical data</b>		
Rated voltage	≤ 300 V	
Insulation resistance	≥ 10 GΩ (according to IEC 60512-2)	
Wire resistance (power)	≤ 13.3 Ω/km (DIN EN 50395)	
Test voltage	≥ 3000 V	
<b>Mechanical data</b>		
Conductor construction (power)	84 x 0.15 mm	
Cross-section	5 x 1.5 mm <sup>2</sup> (approx. AWG16)	
Outer cable diameter	7.8 mm ± 0.2 mm (0.3071" ± 0.0079")	
Min. bending radius, moved	6 x outer cable diameter	
Min. bending radius, fixed installation	5 x outer cable diameter	
Weight	112.19 kg/km (75.39 lb/1000 ft)	
Shielding	no	
Use	drag-chain suitable	
Max. acceleration	10 m/s <sup>2</sup>	
Max. speed	5 m/s	
Max. number of cycles	10 million at max. 20 m travel distance, 2 million at max. 100 m travel distance	

Wall thickness of wire insulation (power)	0.26 mm
Jacket color	black
Material jacket	PUR (polyurethane)
Wire color code	brown, white, black, blue, gray
Wire insulation material	PP (polypropylene)
Printing color	white
<b>Environmental data</b>	
Operation temperature range, moved	-25...+80°C, -13...+176°F
Flame-retardant	according to cULus 20549
Halogen-free	DIN VDE 0472 part 815
UL	yes, UL E-file number: E242293

**Contact assembly**

1	schwarz/black
2	blau/blue
3	grau/grey
4	braun/brown
5	weiß/white

**Dimensions**

A1	45.60 mm
A2	40.90 mm

## Notes

- Depending on the cable length (L), the following length tolerances apply:  
0 m...<0.2 m:  $\pm 10$  mm | 0.2...4.0 m: + 40 mm |  $\geq 4.0$  m: + 1%
- Illustrations similar
- Further cable length on request.

Ordering information	Length
ZK2030-1400-0010	1.00 m
ZK2030-1400-0030	3.00 m
ZK2030-1400-0050	5.00 m
ZK2030-1400-0100	10.00 m
ZK2030-1400-0150	15.00 m



Products marked with a crossed-out wheeled bin shall not be discarded with the normal waste stream. The device is considered as waste electrical and electronic equipment. The national regulations for the disposal of waste electrical and electronic equipment must be observed.

Beckhoff®, TwinCAT®, TwinCAT/BSD®, TC/BSD®, EtherCAT®, EtherCAT G®, EtherCAT G10®, EtherCAT P®, Safety over EtherCAT®, TwinSAFE®, XFC®, XTS® and XPlanar® are registered trademarks of and licensed by Beckhoff Automation GmbH. Other designations used in this publication may be trademarks whose use by third parties for their own purposes could violate the rights of the owners.

© Beckhoff Automation GmbH & Co. KG 02/2024

The information provided in this brochure contains merely general descriptions or characteristics of performance which in case of actual application do not always apply as described or which may change as a result of further development of the products. An obligation to provide the respective characteristics shall only exist if expressly agreed in the terms of contract.