

## ZS2020-2830 | Plug, field assembly, Power, IP67

7/8"-16 UN, plug, angled, male, 5-pin, A-coded



### Electrical data

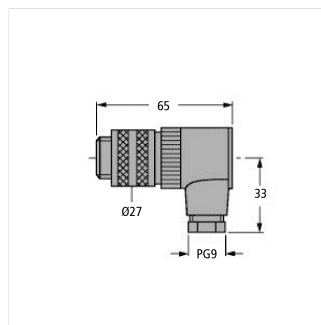
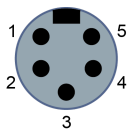
Rated voltage	250 V (according to IEC 60664-1)
Rated current	16 A at 40 °C (according to IEC 60512-3), 1.5 mm <sup>2</sup> : 9 A (according to CSA22.2)
Rated impulse voltage	2.5 kV
Shielding	no
Contact resistance	< 5 mΩ
Insulation resistance	≥ 100 MΩ (according to IEC 60512)

### Mechanical data

Installation size	7/8"-16 UN
Connector type	plug
Configuration	angled
Contact type	male
Number of positions (face)	5-pin
Coding	A-coded
Wire termination	screw connection
Mating cycles	≥ 50
Way of locking	screw

Body color	black
Body material	CuZn, Ni
Coupling nut material	GD-Zn, Ni
Contact carrier color	black
Contact carrier material	PA, UL 94
Contact plating	Au
Contact material	CuZn
Max. wire cross-section	AWG16 (1.5 mm <sup>2</sup> )
Max. cable outer diameter	6.0 - 8.0 mm
<b>Environmental data</b>	
RoHS compliant	yes
Ambient temperature (operation)	-25...+80 °C, -13...+176 °F
Protection rating	IP65/67 in screwed condition (according to IEC 60529)
Pollution level	3/2 (according to IEC 60664-1)
Approvals	UL

## Dimensions



A1	65.00 mm
A2	28.00 mm

## Notes

- Illustrations similar

## Ordering information

ZS2020-2830 Plug field assembly, Power, IP67, 7/8", angled, male, 5-pin



Products marked with a crossed-out wheeled bin shall not be discarded with the normal waste stream. The device is considered as waste electrical and electronic equipment. The national regulations for the disposal of waste electrical and electronic equipment must be observed.

Beckhoff®, TwinCAT®, TwinCAT/BSD®, TC/BSD®, EtherCAT®, EtherCAT G®, EtherCAT G10®, EtherCAT P®, Safety over EtherCAT®, TwinSAFE®, XFC®, XTS® and XPlanar® are registered trademarks of and licensed by Beckhoff Automation GmbH. Other designations used in this publication may be trademarks whose use by third parties for their own purposes could violate the rights of the owners.

© Beckhoff Automation GmbH & Co. KG 07/2023

The information provided in this brochure contains merely general descriptions or characteristics of performance which in case of actual application do not always apply as described or which may change as a result of further development of the products. An obligation to provide the respective characteristics shall only exist if expressly agreed in the terms of contract.