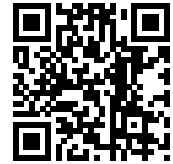
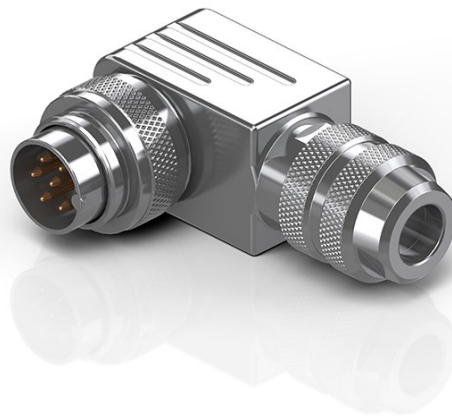


ZS3100-0831 | Plug field assembly, PROFIBUS-DP, IP67, shielded



M16, plug, angled, male, 6-pin



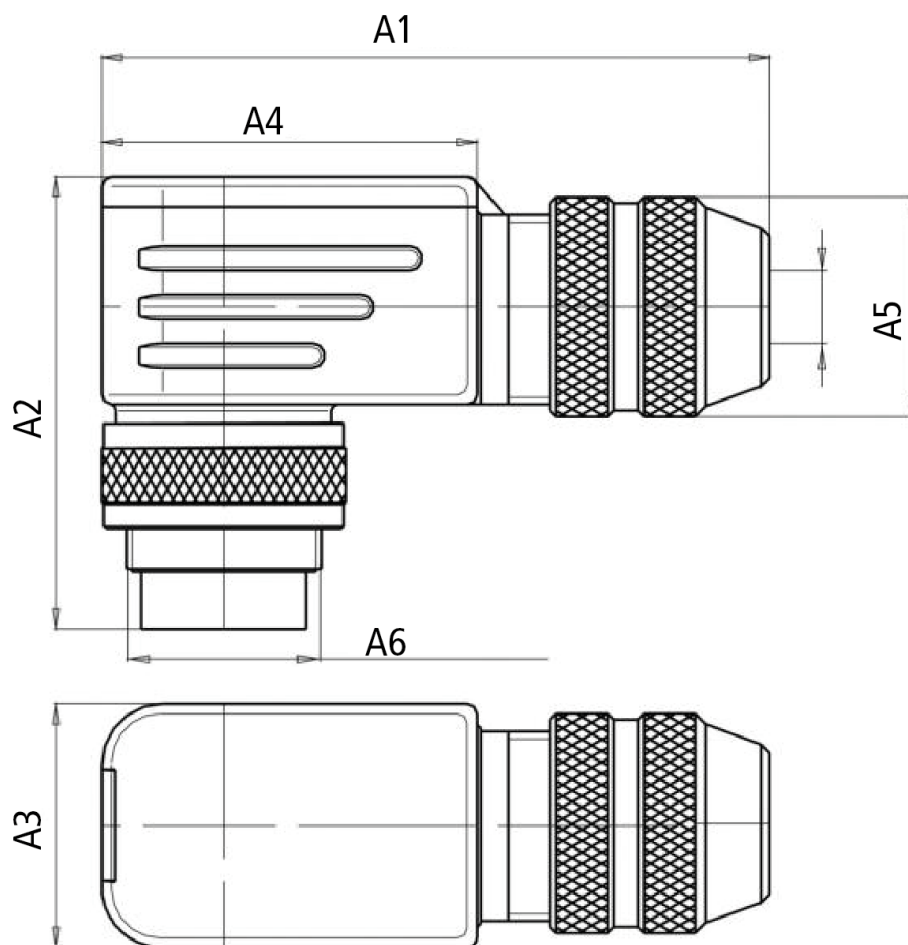
Electrical data	
Rated voltage	250 V
Rated current	5 A at 40 °C
Rated impulse voltage	1.5 kV
Shielding	yes
Contact resistance	< 5 mΩ
Insulation group	III
Mechanical data	
Installation size	M16
Connector type	plug
Configuration	angled
Contact type	male
Number of positions (face)	6-pin
Wire termination	solder connection
Mating cycles	≥ 500
Way of locking	screw
Body color	metal

Body material	CuZn
Coupling nut material	CuZn, Ni
Contact carrier material	PBT, UL 94
Contact plating	Ag
Contact material	CuZn
Max. wire cross-section	AWG20 (0.5 mm ²)
Max. cable outer diameter	6.0 - 8.0 mm

Environmental data

Ambient temperature (operation)	-40...+95 °C, -40...+203 °F
Protection rating	IP65/67 in screwed condition (according to IEC 60529)
Pollution level	1
Approvals	UL

Dimensions



A1	55.00 mm
A2	37.10 mm

A3	20.00 mm
A4	30.80 mm
A5	Ø18
A6	M16 x 0.75 mm

Notes

- Illustrations similar

Ordering information

ZS3100-0831

Plug field assembly, Profibus-DP, IP67, M16, angled, male, 6-pin, shielded



Products marked with a crossed-out wheeled bin shall not be discarded with the normal waste stream. The device is considered as waste electrical and electronic equipment. The national regulations for the disposal of waste electrical and electronic equipment must be observed.

Beckhoff®, TwinCAT®, TwinCAT/BSD®, TC/BSD®, EtherCAT®, EtherCAT G®, EtherCAT G10®, EtherCAT P®, Safety over EtherCAT®, TwinSAFE®, XFC®, XTS® and XPlanar® are registered trademarks of and licensed by Beckhoff Automation GmbH. Other designations used in this publication may be trademarks whose use by third parties for their own purposes could violate the rights of the owners.

© Beckhoff Automation GmbH & Co. KG 09/2023

The information provided in this brochure contains merely general descriptions or characteristics of performance which in case of actual application do not always apply as described or which may change as a result of further development of the products. An obligation to provide the respective characteristics shall only exist if expressly agreed in the terms of contract.