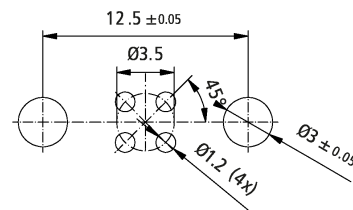
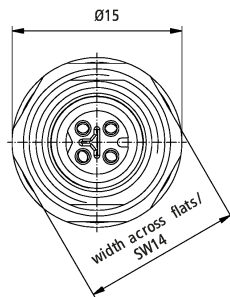
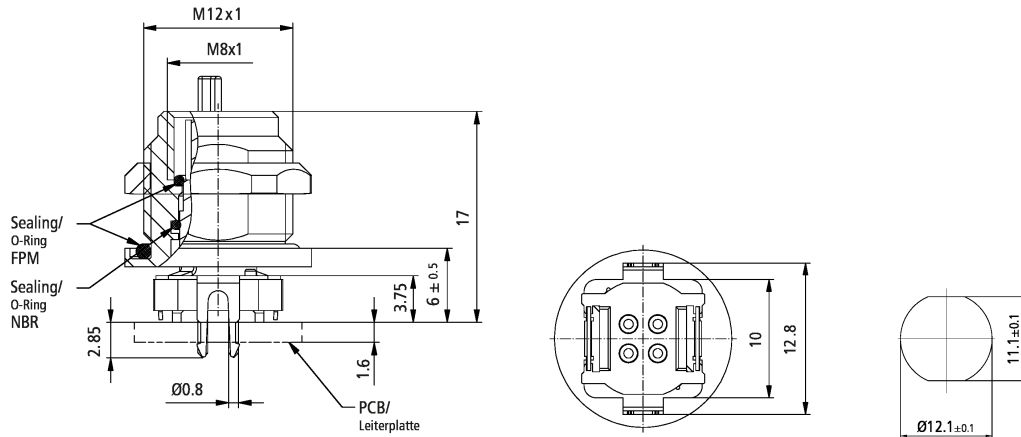


## ZS7002-0003 | Flange rear assembly, EtherCAT P, print contact, 6.0 mm, with counter nut, 2-pieces: separate contact carrier and housing, shielded

M8, flange rear assembly, straight, female, 4-pin, P-coded

Electrical data	
Rated voltage	24 V DC (according to IEC 61076-2-104)
Rated current	3 A at 40 °C (according to IEC 61076-2-104)
Shielding	yes
Insulation resistance	≥ 100 MΩ (according to IEC 60512)
Mechanical data	
Installation size	M8
Connector type	flange rear assembly
Configuration	straight
Contact type	female
Number of positions (face)	4-pin
Coding	P-coded
Recommended torque, nut	0.4 Nm
Mating cycles	≥ 100
Way of locking	screw
Body material	CuZn, Ni
Lock nut material	CuZn, Ni
Seal	NBR
Contact carrier colour	red
Contact carrier material	PA, UL 94
Contact plating	Ni, Au gal.
Contact material	CuZn
Environmental data	
Special features	2-pieces: separate contact carrier and housing
UV resistance	yes
RoHS compliant	yes
Ambient temperature (operation)	-40...+85 °C, -40...+185 °F
Protection class	IP 65/67 in screwed condition (according to IEC 60529)
Pollution level	3/2 (according to IEC 60664-1)

## Dimensions



A1

17.00 mm

## Notes

- Illustrations similar

Ordering information	
ZS7002-0003	EtherCAT P flange, M8, female, straight, 4-pin, rear assembly, print contact, IP 67, P-coded, 6.0 mm, with counter nut, shielded
ZS7002-1001	M8 contact carrier, straight, P-coded for ZS7002-0003, ZS7002-0004, ZS7002-0007 and ZS7002-0008
ZS7002-2003	M8 housing for ZS7002-0003, shielded
ZS7002-2001	M10 counter nut, hexagonal

Beckhoff®, TwinCAT®, EtherCAT®, EtherCAT G®, EtherCAT G10®, EtherCAT P®, Safety over EtherCAT®, TwinSAFE®, XFC®, XTS® and XPlanar® are registered trademarks of and licensed by Beckhoff Automation GmbH. Other designations used in this publication may be trademarks whose use by third parties for their own purposes could violate the rights of the owners.

© Beckhoff Automation GmbH & Co. KG 02/2021

The information provided in this brochure contains merely general descriptions or characteristics of performance which in case of actual application do not always apply as described or which may change as a result of further development of the products. An obligation to provide the respective characteristics shall only exist if expressly agreed in the terms of contract.