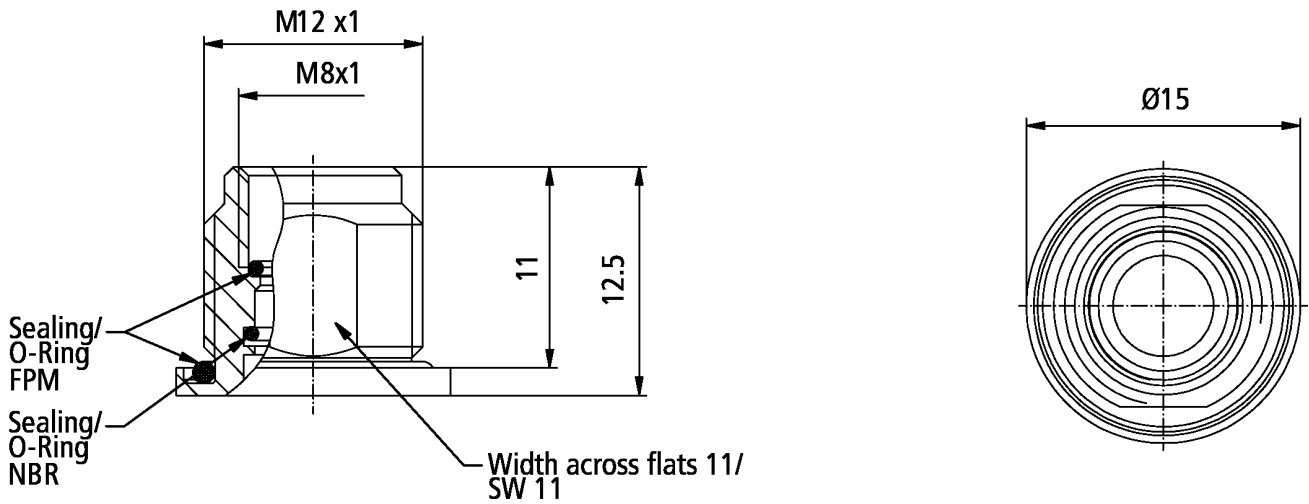


## ZS7002-2003 | M8 housing for ZS7002-0003, 6.0 mm, without counter nut, shielded

M8, flange housing, straight

|                                 |   |
|---------------------------------|---|
| <b>Electrical data</b>          |   |
| Rated voltage                   | 24 V DC (according to IEC 61076-2-104)      |
| Rated current                   | 3 A at 40 °C (according to IEC 61076-2-104) |
| Shielding                       | yes   |
| <b>Mechanical data</b>          |   |
| Installation size               | M8  |
| Connector type                  | flange housing                              |
| Configuration                   | straight                                    |
| Body material                   | CuZn, Ni                                    |
| Lock nut material               | CuZn, Ni                                    |
| Seal                            | NBR   |
| <b>Environmental data</b>       |   |
| UV resistance                   | yes   |
| RoHS compliant                  | yes   |
| Ambient temperature (operation) | -40...+85 °C, -40...+185 °F                 |

## Dimensions



## Notes

- Illustrations similar

### Ordering information

|             |                                      |
|-------------|--------------------------------------|
| ZS7002-2003 | M8 housing for ZS7002-0003, shielded |
|-------------|--------------------------------------|

### Accessories

|             |                            |
|-------------|----------------------------|
| ZS7002-2002 | M12 counter nut, hexagonal |
|-------------|----------------------------|

|             |  |
|-------------|--|
| ZS7002-0003 | EtherCAT P flange, M8, female, straight, 4-pin, rear assembly, print contact, IP 67, P-coded, 6.0 mm, with counter nut, shielded |
|-------------|--|

Beckhoff®, TwinCAT®, EtherCAT®, EtherCAT G®, EtherCAT G10®, EtherCAT P®, Safety over EtherCAT®, TwinSAFE®, XFC®, XTS® and XPlanar® are registered trademarks of and licensed by Beckhoff Automation GmbH. Other designations used in this publication may be trademarks whose use by third parties for their own purposes could violate the rights of the owners.

© Beckhoff Automation GmbH & Co. KG 02/2021

The information provided in this brochure contains merely general descriptions or characteristics of performance which in case of actual application do not always apply as described or which may change as a result of further development of the products. An obligation to provide the respective characteristics shall only exist if expressly agreed in the terms of contract.