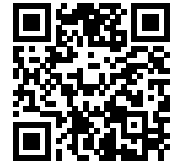


# ZS7100-0003 | Flange, solder connection, EtherCAT P, IP65/67, shielded

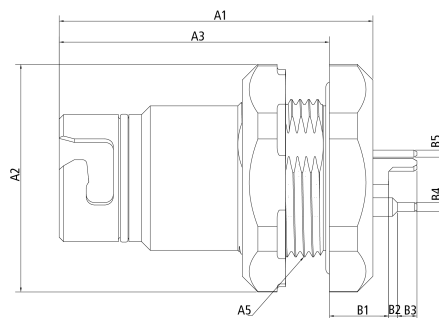


B12, flange rear assembly, straight, long, male+male, pins 2+4, P-coded

Electrical data	
Rated voltage (Ethernet)	30 V DC
Rated current (Ethernet)	3 A at 40 °C according to IEC 61076-2-104
Rated voltage (power)	60 V DC
Rated current (power)	10 A at 55 °C
Rated impulse voltage (power)	1.5 kV
Rated impulse voltage (Ethernet)	1.0 kV
Shielding	yes
Contact resistance	< 10 mΩ
Insulation resistance	≥ 100 MΩ (according to IEC 60512)
Mechanical data	
Installation size	B12
Connector type	flange rear assembly
Configuration	straight, long
Contact type	male+male
Number of positions (face)	pins 2+4
Coding	P-coded

Mechanical coding	key 1 (24 V DC)
Wire termination	Print contacts for wave soldering
Mating cycles	≥ 100 (according to IEC 60512-9a)
Way of locking	bayonet
Body material	CuZn, Ni
Coupling nut material	GD-Zn, Ni
Seal	NBR
Contact carrier material	PA, UL 94 V-0
Contact carrier color (Ethernet)	red
Contact carrier color (power)	red
Contact material	CuZn, Ni b/Au 0.2 gal.
<b>Environmental data</b>	
Ambient temperature (operation)	-30...+90 °C, -22...+194 °F
Protection rating	IP65/67 in screwed condition (according to IEC 60529)
Pollution level	3/2 (according to IEC 60664-1)

## Dimensions

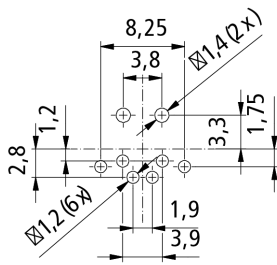


A1	6.8 mm
A2	1.00 mm
A3	2.25 mm
A4	1.00 mm
A5	0.80 mm

## Notes

- Illustrations similar

## Installation dimensions

PCB Layout proposal/  
Platinenlayout Vorschlag

## Ordering information

ZS7100-0003

B12, flange, metal, shielded, print, straight, long, male+male, 2+4-pin, P-coded, IP65/67

## Accessories

ZB8802-0001

assembly tool for B12 connector, AF17



Products marked with a crossed-out wheeled bin shall not be discarded with the normal waste stream. The device is considered as waste electrical and electronic equipment. The national regulations for the disposal of waste electrical and electronic equipment must be observed.

Beckhoff®, TwinCAT®, TwinCAT/BSD®, TC/BSD®, EtherCAT®, EtherCAT G®, EtherCAT G10®, EtherCAT P®, Safety over EtherCAT®, TwinSAFE®, XFC®, XTS® and XPlanar® are registered trademarks of and licensed by Beckhoff Automation GmbH. Other designations used in this publication may be trademarks whose use by third parties for their own purposes could violate the rights of the owners.

© Beckhoff Automation GmbH & Co. KG 08/2023

The information provided in this brochure contains merely general descriptions or characteristics of performance which in case of actual application do not always apply as described or which may change as a result of further development of the products. An obligation to provide the respective characteristics shall only exist if expressly agreed in the terms of contract.