



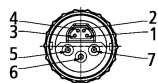
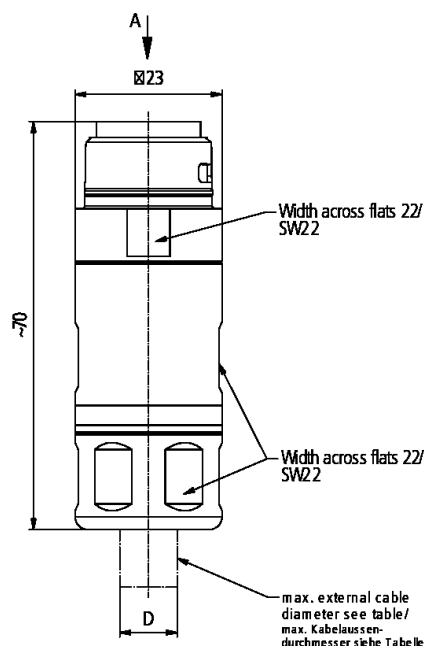
## ZS7200-A011 | Socket, field assembly, EtherCAT/Ethernet, IP 65/67, shielded

B17, socket, straight, male+female, pins 2+PE+4, EtherCAT-coded

Electrical data	
Rated voltage (Ethernet)	24 V DC
Rated current (Ethernet)	4 A at 40 °C
Rated voltage (power)	630 V AC / 850 V DC
Rated current (power)	15.5 A at 50 °C
Rated current (power)	15.5 A
Rated impulse voltage (power)	6.0 kV
Rated impulse voltage (Ethernet)	1.0 kV
Shielding	yes
Contact resistance	< 10 mΩ (signal), < 5 mΩ (power)
Insulation resistance	≥ 100 MΩ (according to IEC 60512)
Mechanical data	
Installation size	B17
Connector type	socket
Configuration	straight
Contact type	male+female
Number of positions (face)	pins 2+PE+4
Coding	EtherCAT-coded
Wire termination	crimp connection
Mating cycles	≥ 100
Way of locking	bayonet
Body material	<b>CuZn, Ni</b>
Coupling nut material	GD-Zn, Ni
Seal	NBR
Contact carrier material	PA, UL 94
Contact carrier colour (Ethernet)	yellow
Contact carrier colour (power)	red
Contact plating	Ni, Au gal.
Contact material	copper alloy
Max. wire cross section (power)	AWG16/1.5 mm <sup>2</sup>
Max. wire cross section (Ethernet)	AWG22/0.34 mm <sup>2</sup>

Max. cable outer diameter	10.0...11.5 mm
<b>Environmental data</b>	
Ambient temperature (operation)	-20...+80 °C, -4...+176 °F
Protection class	IP 65/67 in screwed condition (according to IEC 60529)
Pollution level	3/2 (according to IEC 60664-1)
Approvals	UL 2237: File E484763

## Dimensions



A1	approx. 70.0 mm
A2	Ø 23.0 mm

## Notes

- Delivery without crimp contacts
- Illustrations similar

<b>Ordering information</b>	
ZS7200-A011	B17, plug, metal, shielded, crimp, straight, male+female, 3+4-pin, EtherCAT-coded, IP 65/67, Ø 10.0...11.5 mm

<b>Accessories</b>	
ZB8810-0000	crimping tool for Ethernet element, M8, B12, B17, B23 contacts
ZB8810-0001	crimping insert and locator for Ethernet element, M8, B12, B17 contacts
ZS7000-C002	Crimp contact, Ethernet element, female, AWG22/0.34 mm <sup>2</sup> , PU = 50 pieces
ZS7000-C007	B17 crimp contact, male, 2.5 mm <sup>2</sup> , packaging unit = 50 pieces
ZS7200-B003	B17 protection cap, plug, plastic, IP 67, packaging unit = 10 pieces
ZS7200-B004	B17 protection cap, plug, metal, IP 67, packaging unit = 5 pieces
ZS7200-B005	B17 colour coding connector/square flange, red, packaging unit = 10 pieces
ZS7200-B006	B17 colour coding connector/square flange, yellow, packaging unit = 10 pieces
ZS7200-B007	B17 colour coding connector/square flange, blue, packaging unit = 10 pieces
ZS7200-B008	B17 colour coding connector/square flange, green, packaging unit = 10 pieces
ZS7200-B015	B17 colour coding connector/square flange, orange, packaging unit = 10 pieces
ZS7200-B016	B17 colour coding connector/square flange, grey, packaging unit = 10 pieces
ZB8802-0002	assembly tool for B17 connector, AF22

Beckhoff®, TwinCAT®, EtherCAT®, EtherCAT G®, EtherCAT G10®, EtherCAT P®, Safety over EtherCAT®, TwinSAFE®, XFC®, XTS® and XPlana® are registered trademarks of and licensed by Beckhoff Automation GmbH. Other designations used in this publication may be trademarks whose use by third parties for their own purposes could violate the rights of the owners.

© Beckhoff Automation GmbH & Co. KG 02/2021

The information provided in this brochure contains merely general descriptions or characteristics of performance which in case of actual application do not always apply as described or which may change as a result of further development of the products. An obligation to provide the respective characteristics shall only exist if expressly agreed in the terms of contract.