

ZS7300-0014 | Plug, field assembly, EtherCAT P, IP65/67, shielded



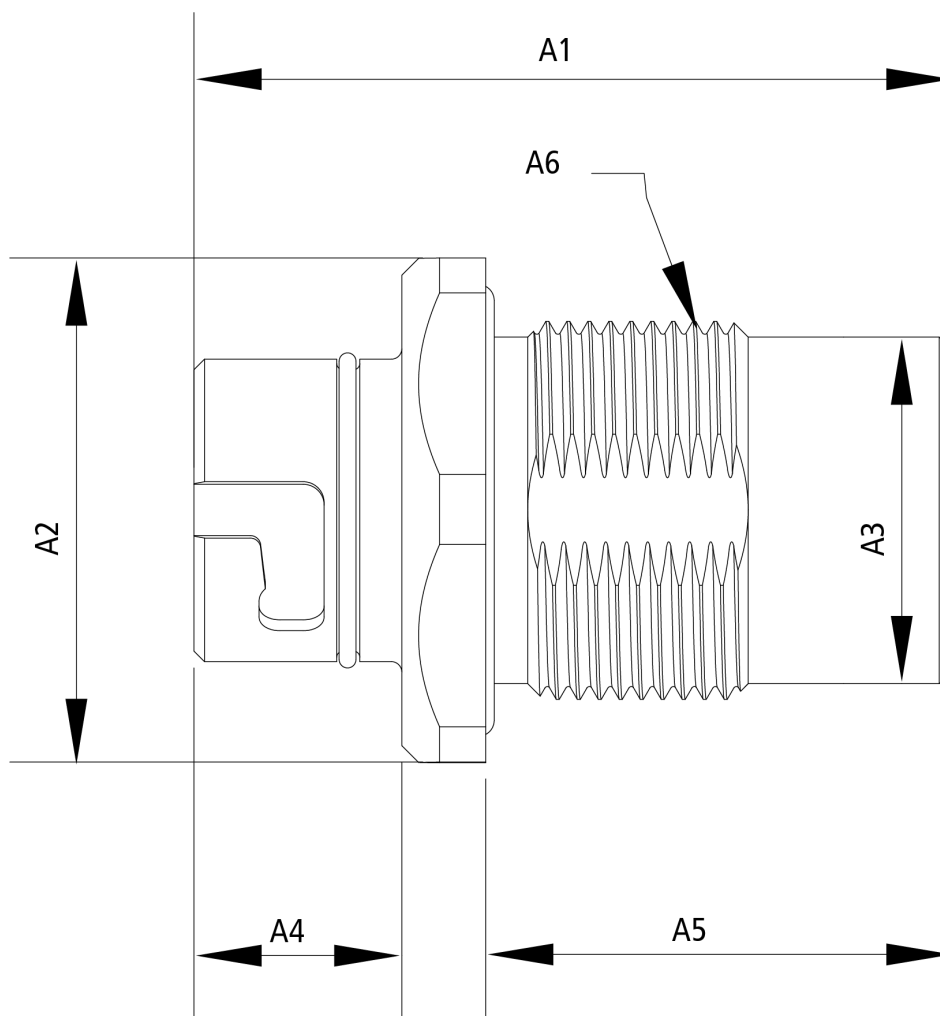
B23, flange front assembly, straight, short, male+male, pins 4+PE+4, P-coded



| Electrical data | |
|----------------------------------|--|
| Rated voltage (Ethernet) | 24 V DC |
| Rated current (Ethernet) | 3 A at 40 °C |
| Rated voltage (power) | 630 V AC / 850 V DC, 600V AC / DC (UL) |
| Rated current (power) | 28 A at 40 °C |
| Rated impulse voltage (power) | 6.0 kV |
| Rated impulse voltage (Ethernet) | 1.0 kV |
| Shielding | yes |
| Contact resistance | < 10 mΩ (signal), < 5 mΩ (power) |
| Insulation resistance | ≥ 100 MΩ (according to IEC 60512) |
| Mechanical data | |
| Accessories type | Connectors |
| Installation size | B23 |
| Connector type | flange front assembly |
| Configuration | straight, short |
| Contact type | male+male |
| Number of positions (face) | pins 4+PE+4 |

| | |
|------------------------------------|---|
| Coding | P-coded |
| Wire termination | crimp connection |
| Mating cycles | ≥ 100 |
| Way of locking | bayonet |
| Weight per piece | 0.200 kg (0.441 lb) |
| Body material | CuZn, Ni |
| Coupling nut material | CuZn, Ni |
| Seal | NBR |
| Contact carrier material | PA, UL 94 |
| Contact carrier color (Ethernet) | red |
| Contact carrier color (power) | red |
| Contact plating | Ni, Au gal. |
| Contact material | copper alloy |
| Max. wire cross-section (power) | AWG12/4.0 mm ² |
| Max. wire cross-section (Ethernet) | AWG22/0.34 mm ² |
| Max. cable outer diameter | 13.0...15.0 mm, 15.0...16.0 mm |
| Environmental data | |
| Ambient temperature (operation) | -20...+90 °C, -4...+194 °F |
| Protection rating | IP65/67 in screwed condition (according to IEC 60529) |
| Pollution level | 3/2 (according to IEC 60664-1) |
| Approvals | UL 2237: File E484763 |

Dimensions



| | |
|----|-----------------|
| A1 | approx. 80.0 mm |
| A2 | 23.8 mm |

Notes

- Delivery without crimp contacts
- Illustrations similar

Ordering information

| | |
|-------------|---|
| ZS7300-0014 | B23, flange, metal, shielded, crimp, straight, short, male+male, 5+4-pin, front assembly, P-coded |
|-------------|---|

Accessories

| | |
|-------------|--|
| ZB8810-0000 | crimping tool for Ethernet element, M8, B12, B17, B23 contacts |
| ZB8810-0002 | crimping insert and locator for Ethernet element, M8 and B23 contacts |
| ZS7000-C001 | Crimp contact, Ethernet element, male, AWG22/0.34 mm ² , PU = 50 pieces |
| ZS7000-C009 | B23 crimp contact, male, 4 mm ² , packaging unit = 50 pieces |

| | |
|-------------|--|
| ZS7000-C015 | B23 crimp contact, male, 1.5 mm ² , packaging unit = 50 pieces |
| ZS7000-C017 | B23 crimp contact, male, 2.5 mm ² , Ø 2.25 mm, packaging unit = 50 pieces |
| ZS7000-C029 | |
| ZS7300-B001 | B23 protection cap, socket/flange, plastic, IP67, packaging unit = 10 pieces |
| ZS7300-B002 | B23 protection cap, socket/flange, metal, IP67, packaging unit = 5 pieces |
| ZS7300-B009 | B23 color coding flange for front/rear assembly, red, packaging unit = 10 pieces |
| ZS7300-B010 | B23 color coding flange for front/rear assembly, yellow, packaging unit = 10 pieces |
| ZS7300-B011 | B23 color coding flange for front/rear assembly, blue, packaging unit = 10 pieces |
| ZS7300-B012 | B23 color coding flange for front/rear assembly, green, packaging unit = 10 pieces |
| ZS7300-B013 | B23 color coding flange for front/rear assembly, orange, packaging unit = 10 pieces |
| ZS7300-B014 | B23 color coding flange for front/rear assembly, gray, packaging unit = 10 pieces |



Products marked with a crossed-out wheeled bin shall not be discarded with the normal waste stream. The device is considered as waste electrical and electronic equipment. The national regulations for the disposal of waste electrical and electronic equipment must be observed.

Beckhoff®, TwinCAT®, TwinCAT/BSD®, TC/BSD®, EtherCAT®, EtherCAT G®, EtherCAT G10®, EtherCAT P®, Safety over EtherCAT®, TwinSAFE®, XFC®, XTS® and XPlanar® are registered trademarks of and licensed by Beckhoff Automation GmbH. Other designations used in this publication may be trademarks whose use by third parties for their own purposes could violate the rights of the owners.

© Beckhoff Automation GmbH & Co. KG 08/2023

The information provided in this brochure contains merely general descriptions or characteristics of performance which in case of actual application do not always apply as described or which may change as a result of further development of the products. An obligation to provide the respective characteristics shall only exist if expressly agreed in the terms of contract.