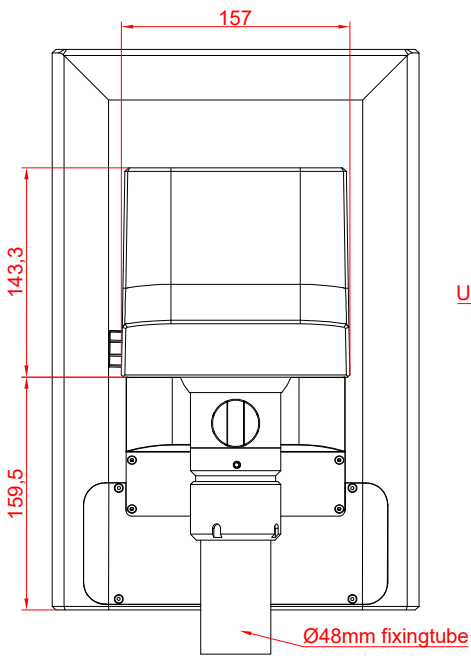
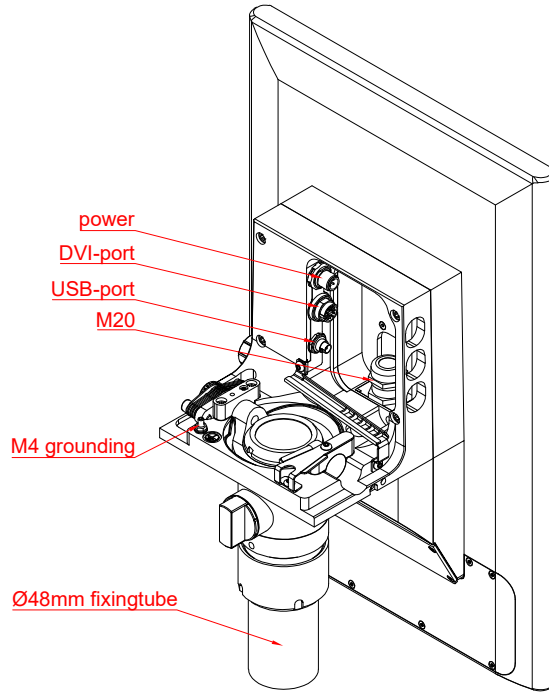
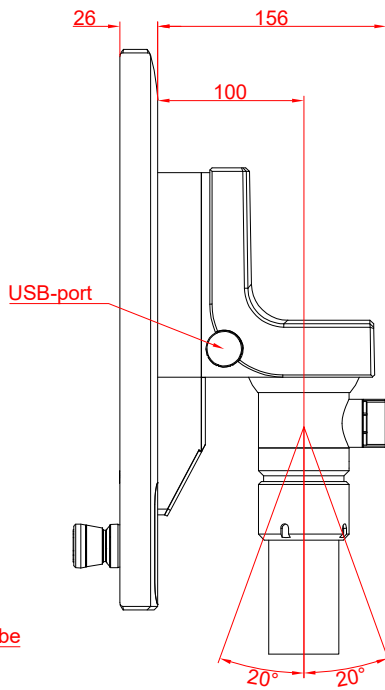


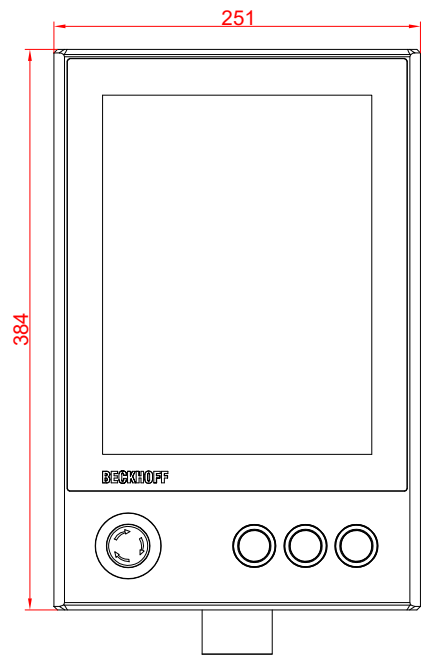
bottom view



rear view



side view



front view

CP3912-0000
with
C9900-M575
C9900-G032
C9900-M753
C9900-E274

main dimensions and
fixing points

dimensions in mm

