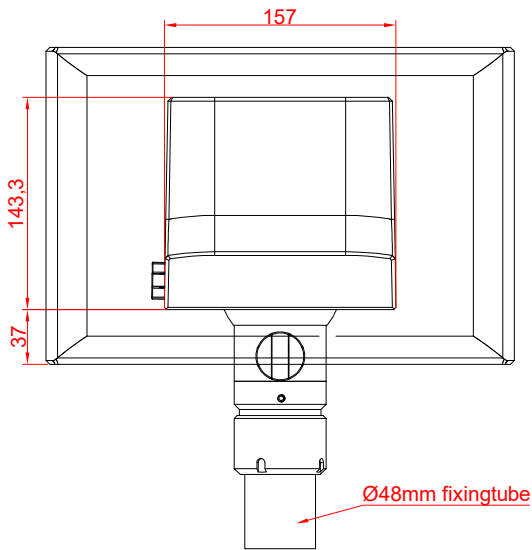
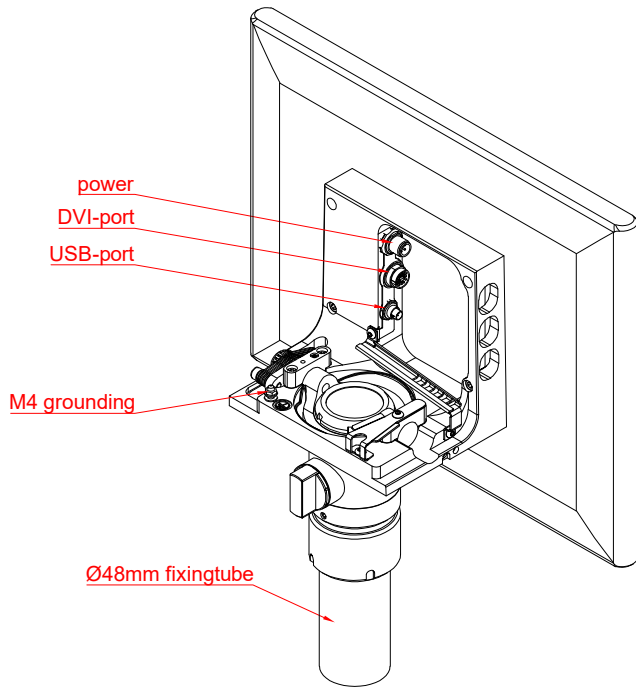
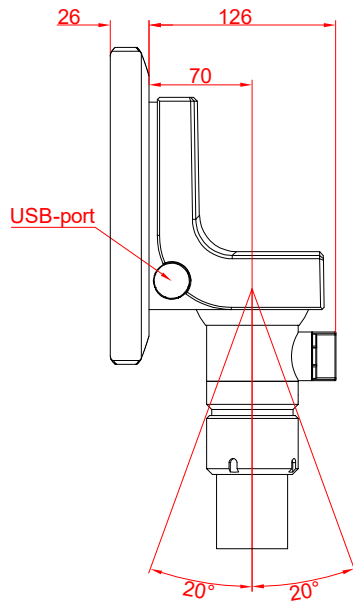


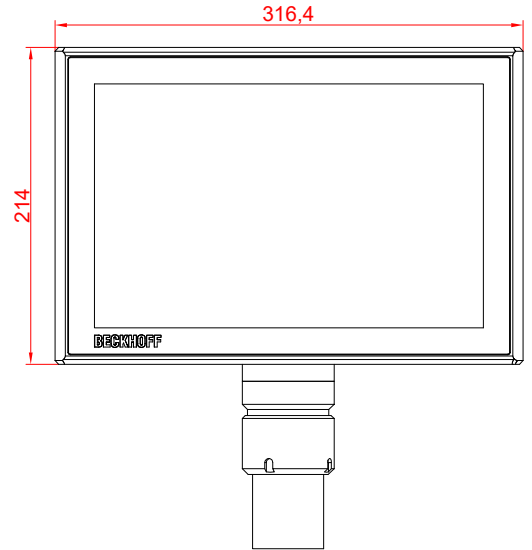
bottom view



rear view



side view



front view

CP3913-0000  
with  
C9900-M751  
C9900-E274

main dimensions and  
fixing points

dimensions in mm

