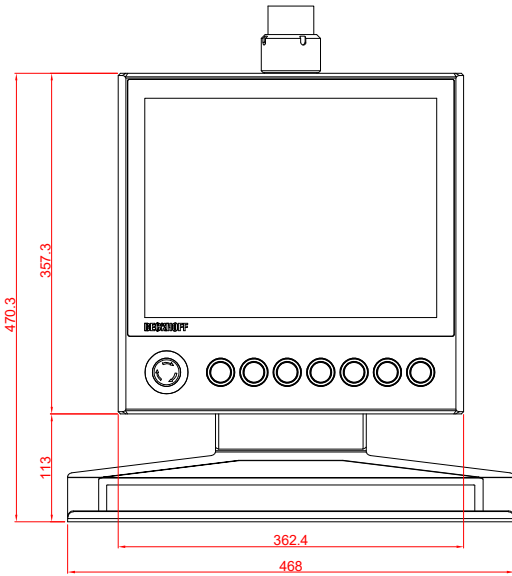
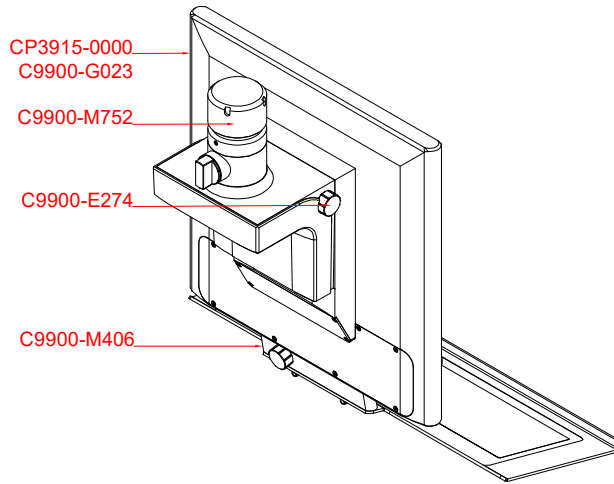


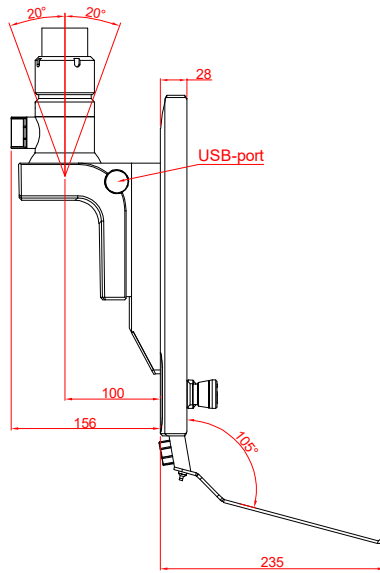
CP3915-0000
with
C9900-G023
C9900-M752
C9900-E274
C9900-M406

main dimensions and
fixing points

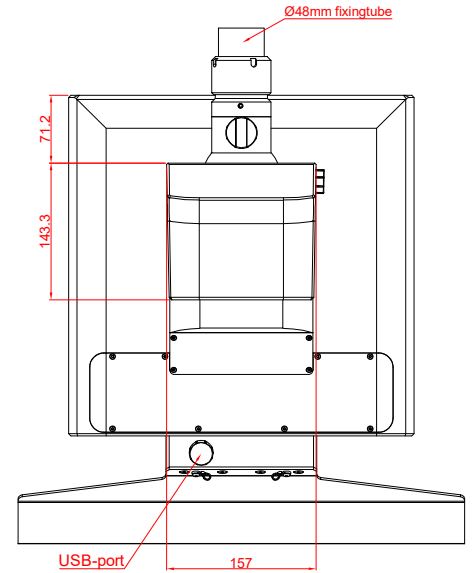
dimensions in mm



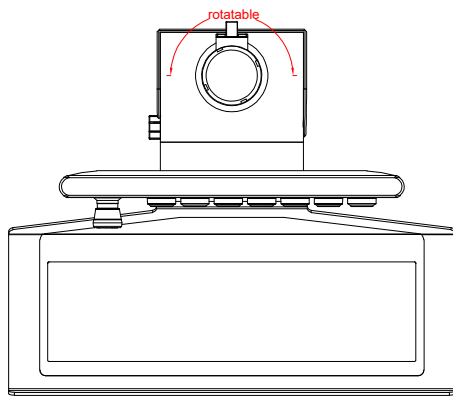
front view



side view



rear view



top view

