

CP3916-0000
with
C9900-G024
C9900-M752
C9900-M406

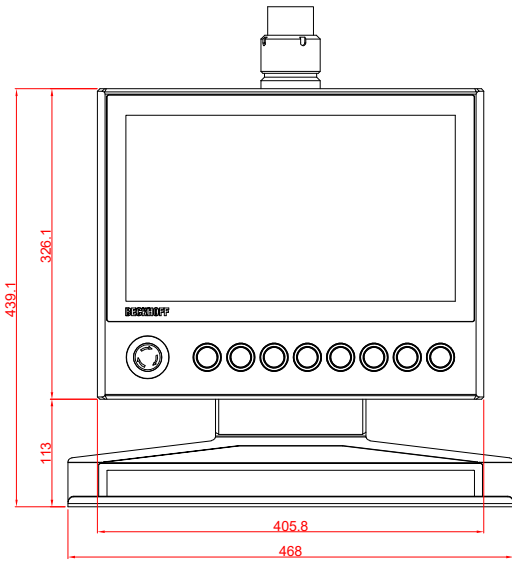
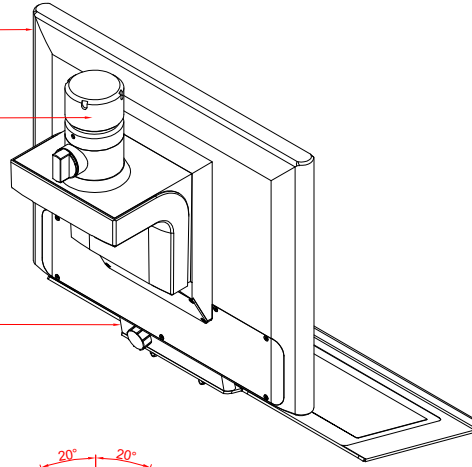
main dimensions and
fixing points

dimensions in mm

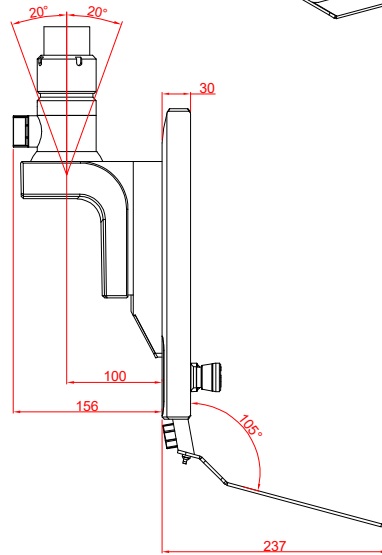
CP3916-0000
C9900-G024

C9900-M752

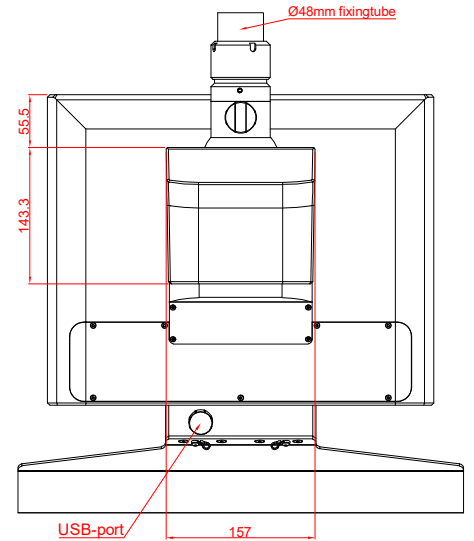
C9900-M406



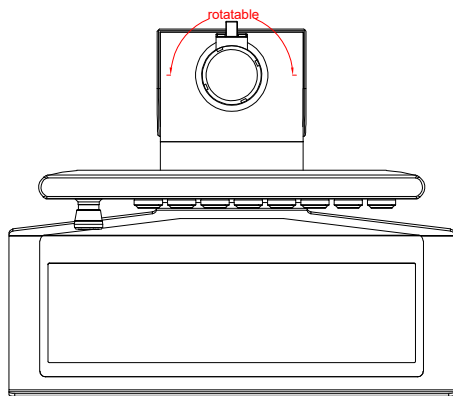
front view



side view



rear view



top view

