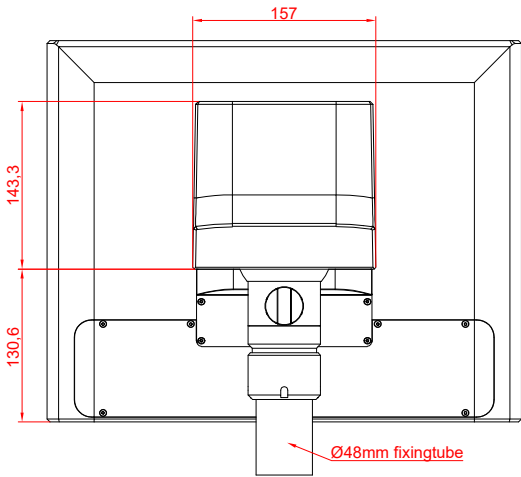
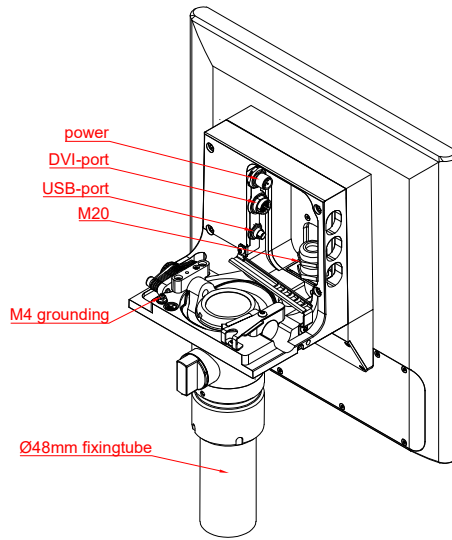
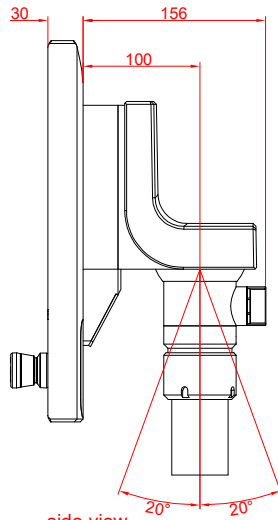


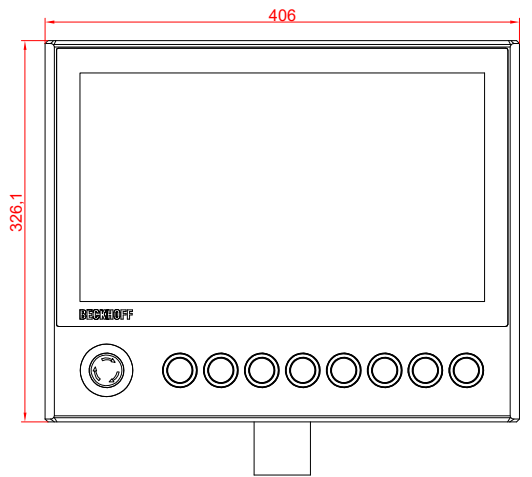
bottom view



rear view



side view



front view

CP3916-0000  
with  
C9900-G024  
C9900-M753

main dimensions and  
fixing points

dimensions in mm

