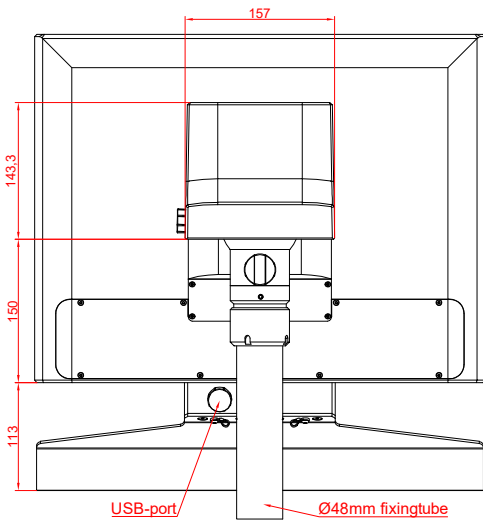
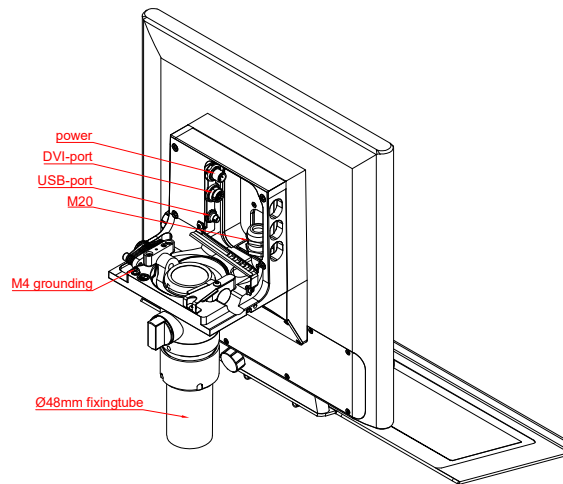
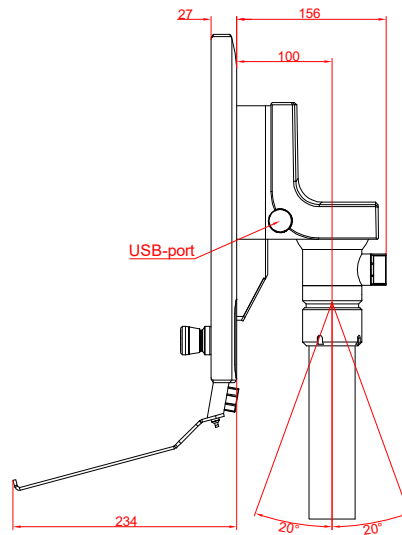


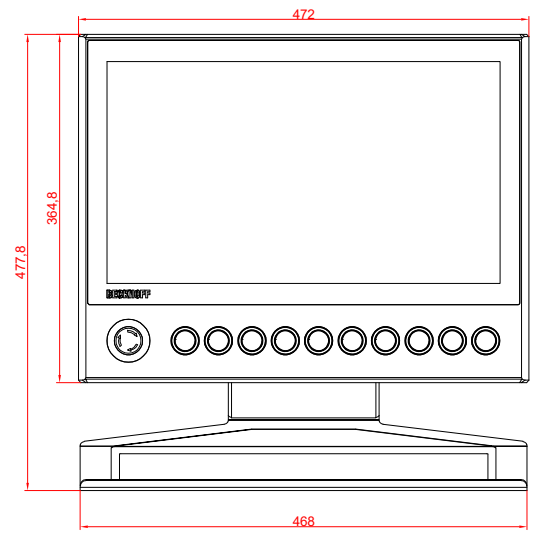
bottom view



rear view



side view



front view

CP3918-0000  
with  
C9900-G025  
C9900-M753  
C9900-E274  
C9900-M406

main dimensions and  
fixing points

dimensions in mm

