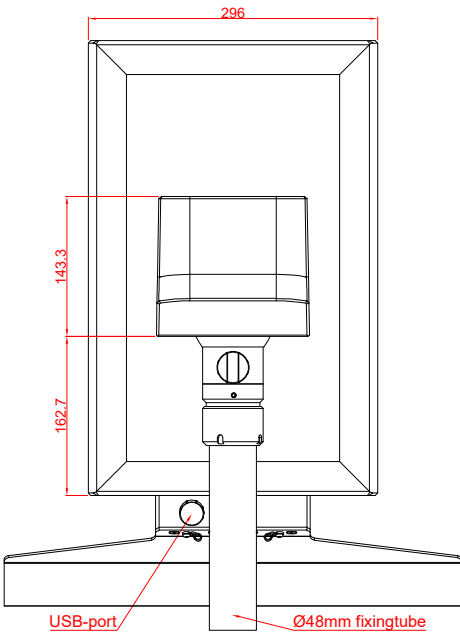
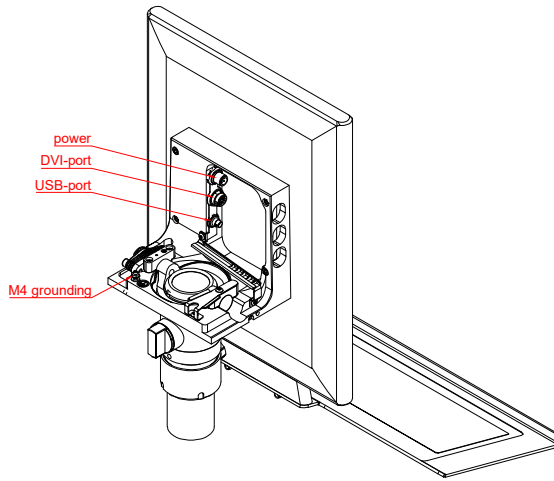
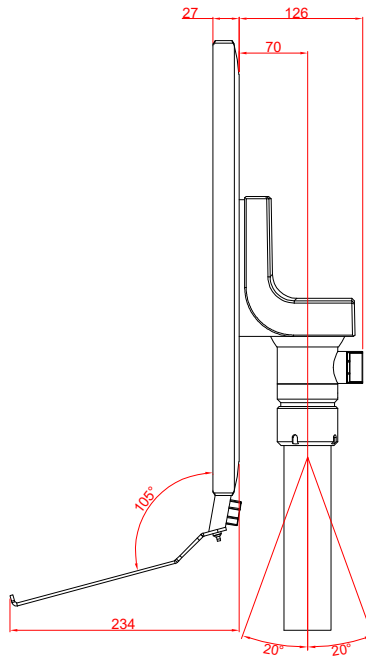


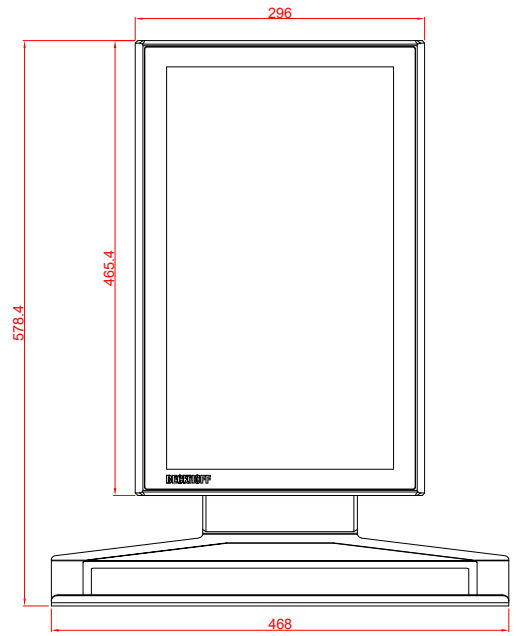
bottom view



rear view



side view



front view

CP3918-0000
with
C9900-M575
C9900-M751
C9900-M406

main dimensions and
fixing points

dimensions in mm

