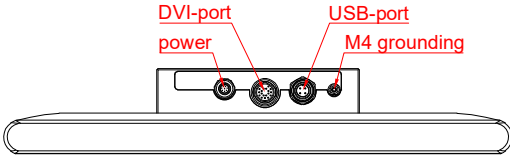


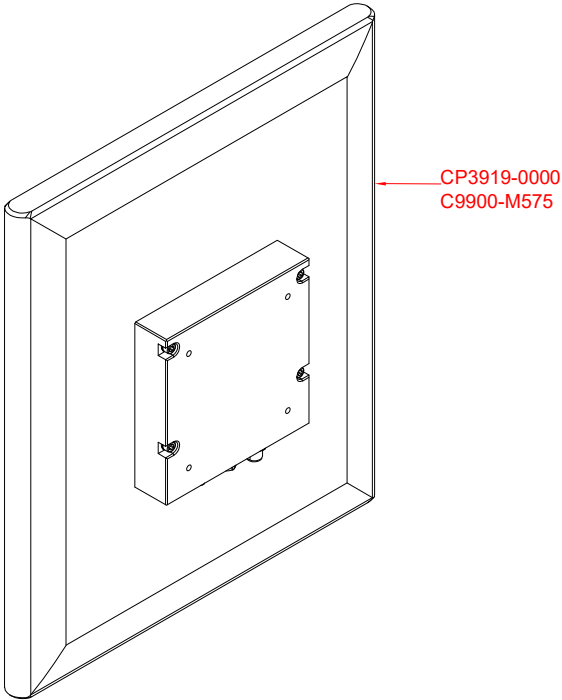
CP3919-0000  
with  
C9900-M575

main dimensions and  
fixing points

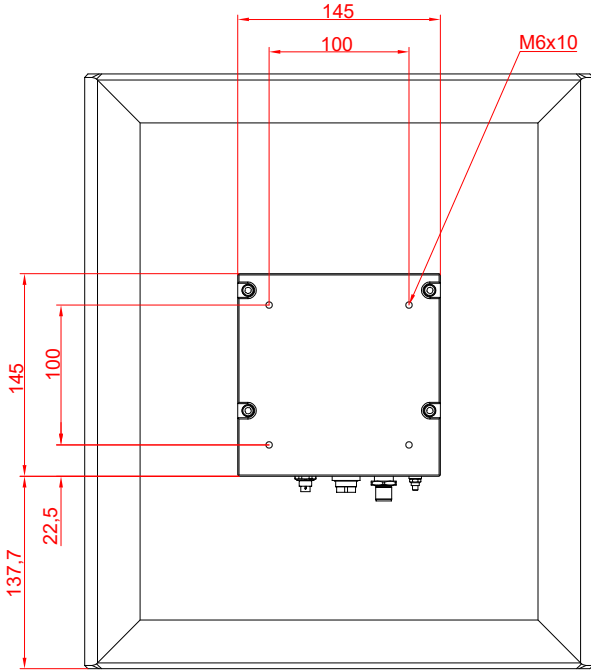
dimensions in mm



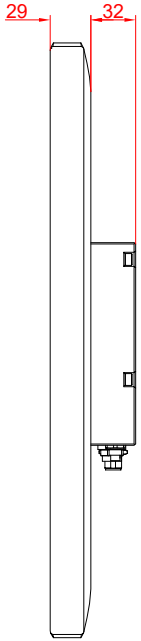
bottom view



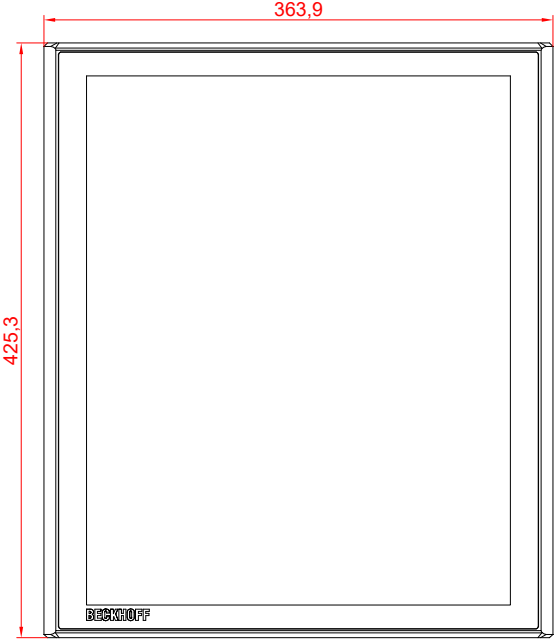
CP3919-0000  
C9900-M575



rear view



side view



front view