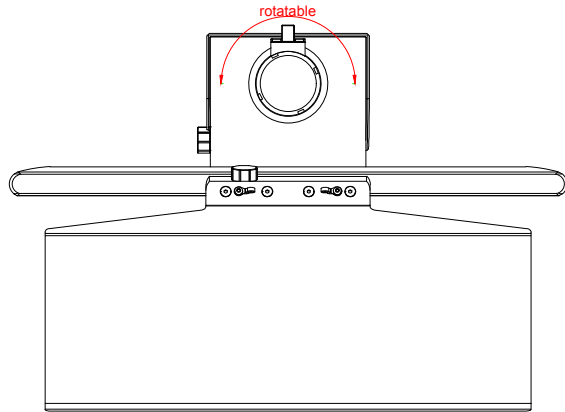


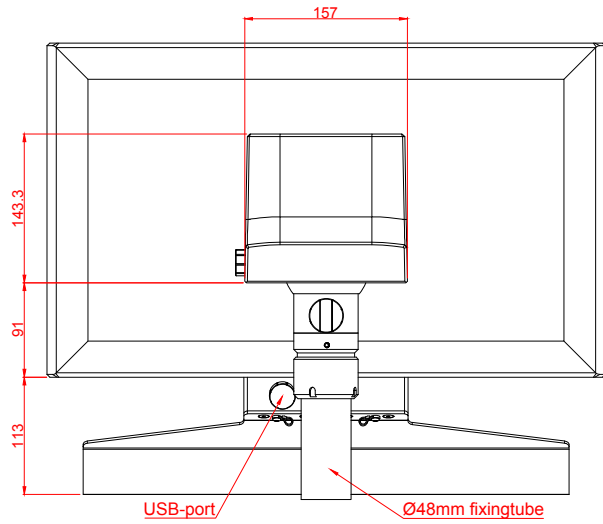
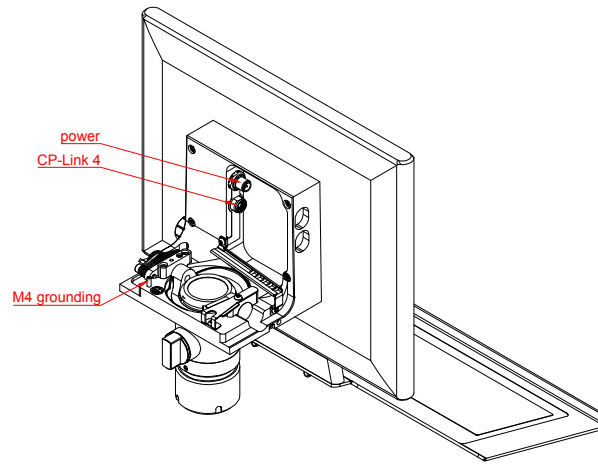
CP3921-0010-M751-E274-M406

main dimensions and
fixing points

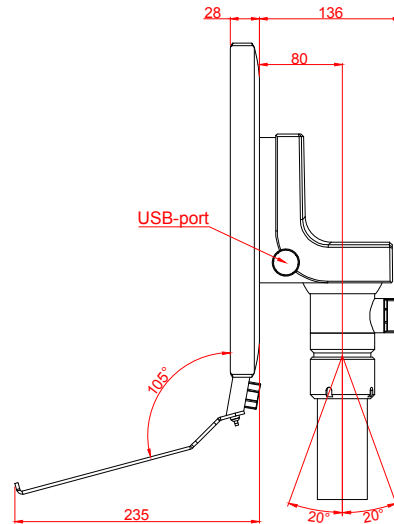
dimensions in mm



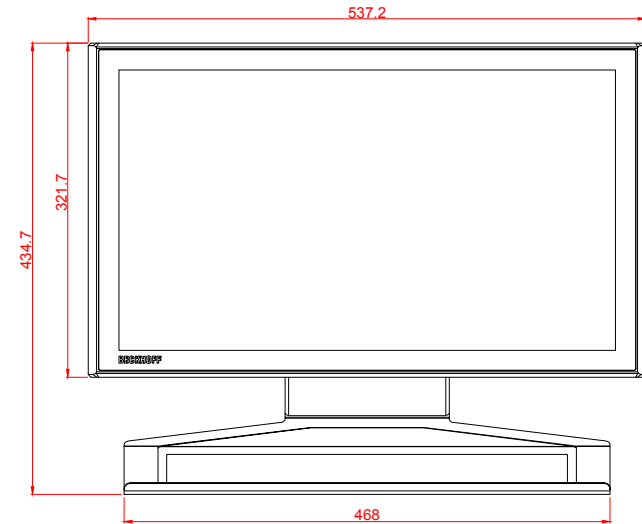
bottom view



rear view



right view



front view