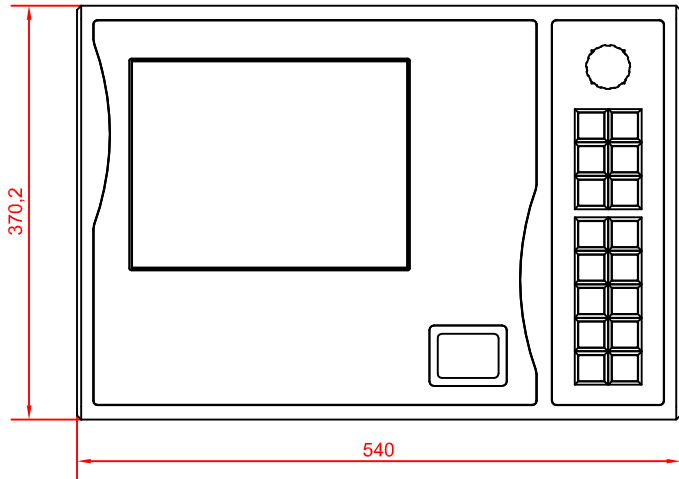
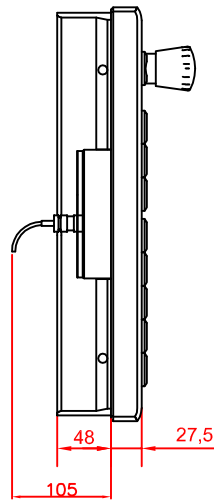


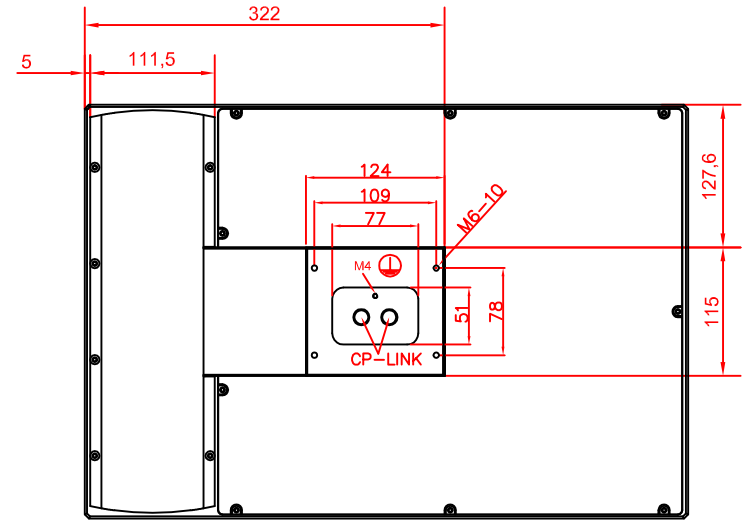
bottom view



front view



left view

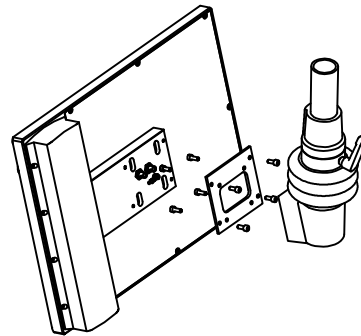


rear view

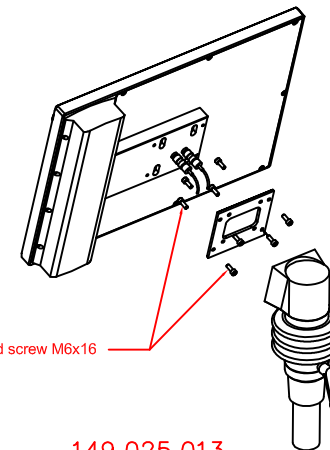
CP7031-0002-E618  
arm adapter for  
Rolec - Tara - suspension adaption  
146.025.019

main dimensions and  
fixing points

dimensions in mm



149.025.014



8x cheese head screw M6x16

149.025.013