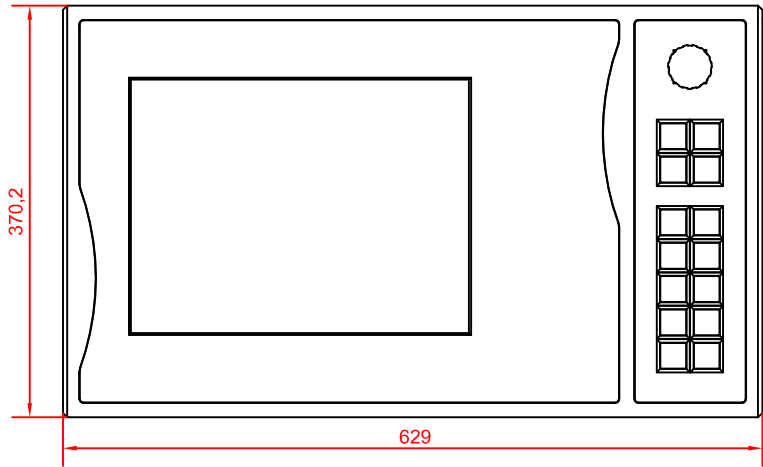
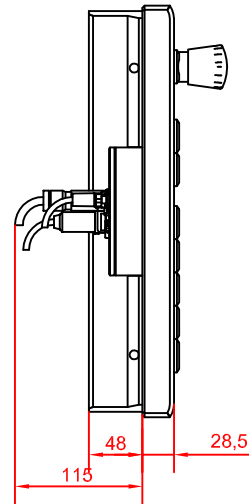


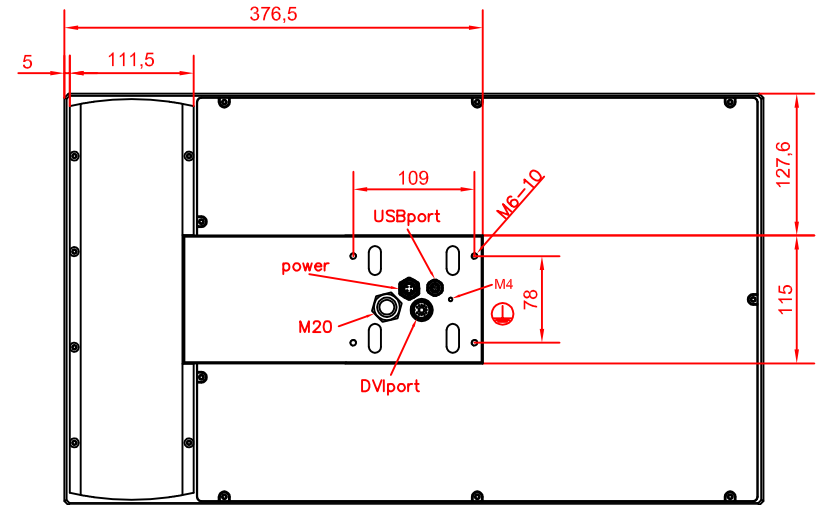
bottom view



front view



left view

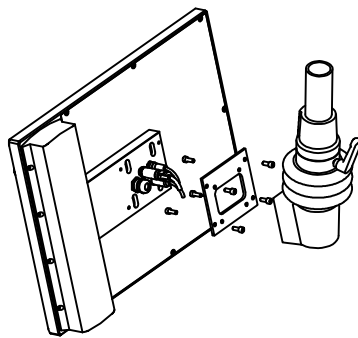


rear view

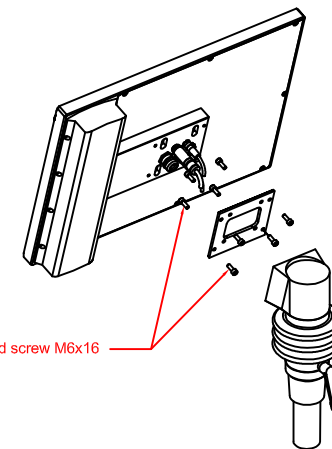
CP7822-0000-E768  
 arm adapter for  
 Rolec - Tara - suspension adaption  
 146.025.019

main dimensions and  
 fixing points

dimensions in mm



149.025.014



149.025.013