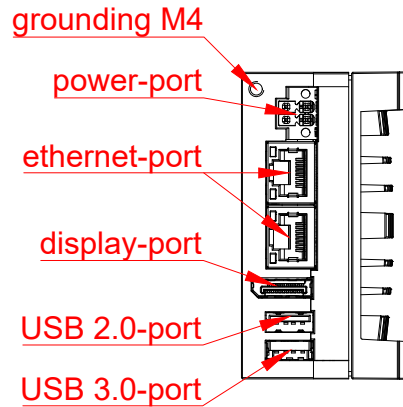
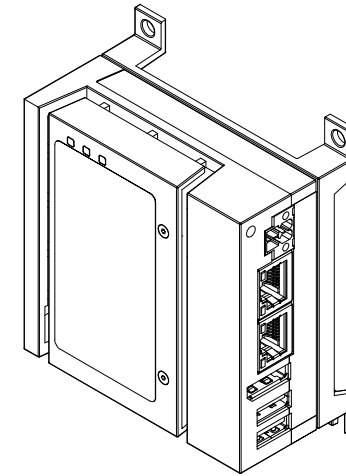


side view

front view



top view

C6015 - M664/M665

mounting plate at the rear panel
main dimensions and
fixing points

dimensions in mm

